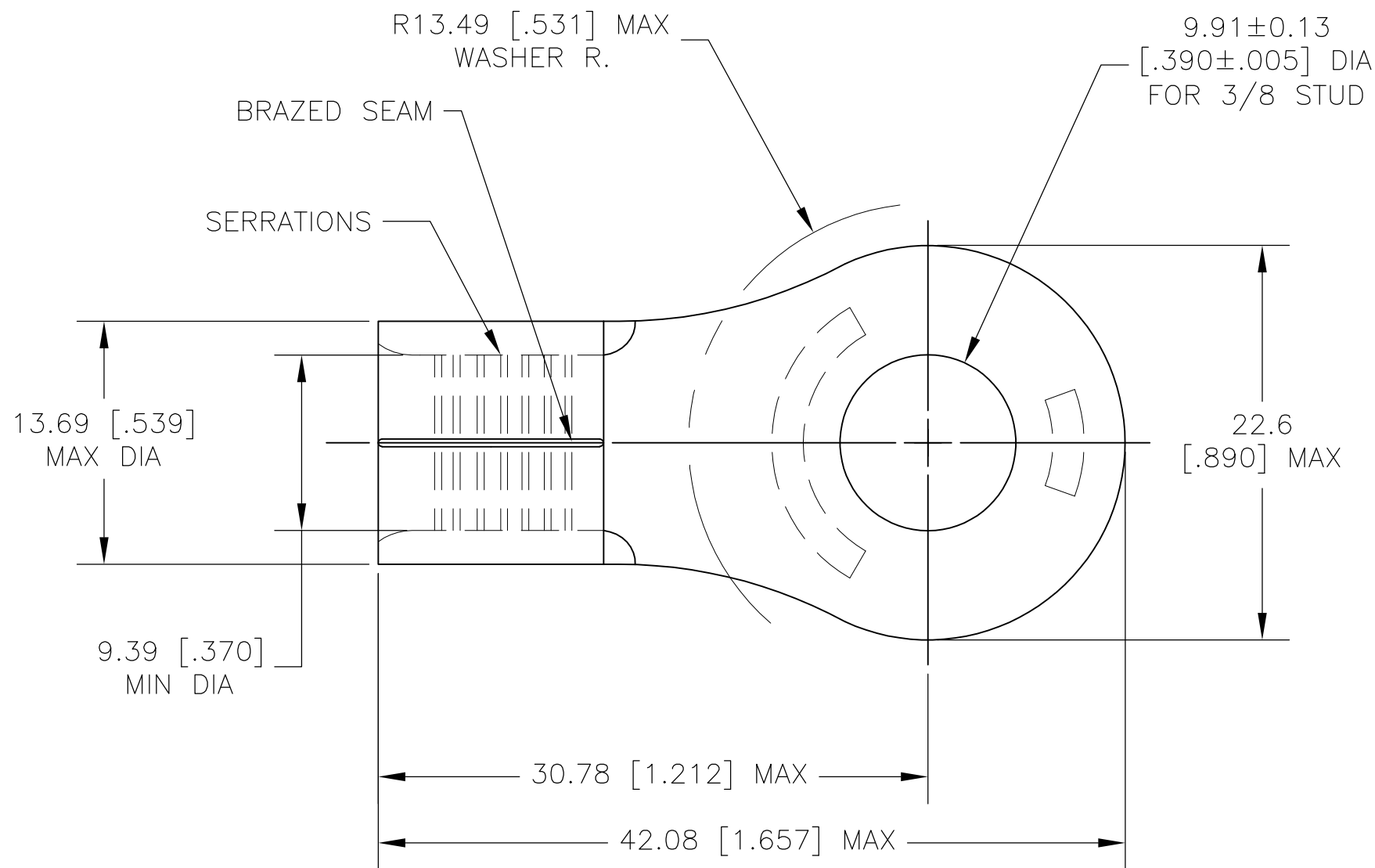


THIS DRAWING IS UNPUBLISHED. RELEASED FOR PUBLICATION  
 © COPYRIGHT - BY TYCO ELECTRONICS CORPORATION. ALL RIGHTS RESERVED.

LOC	DIST	REVISIONS			
P	LTR	DESCRIPTION	DATE	DWN	APVD
G	14	E	REDRAWN PER ECR 07-025736	29OCT07	JR TM



- 1 TONGUE THK IS 1.80±0.06 [.070±.002]
- 2 TIN PLATE PER ASTM B545 ANNEALED
- 3 SEE CUSTOMER RESTRICTED DWG 35184-1
- 4 WIRE CROSS SECTIONAL AREA RANGE: 26.7-42.4mm<sup>2</sup> [52,600-83,700] CMA

3	2	35184-1
	2	35184
	FINISH	PART NO

THIS DRAWING IS A CONTROLLED DOCUMENT.		DWN jr_ruth 29OCT07	Tyco Electronics Corporation Harrisburg, PA 17105-3608														
DIMENSIONS: mm [ INCHES]		CHK MJ SPICER 29OCT07	NAME														
TOLERANCES UNLESS OTHERWISE SPECIFIED:		APVD MJ SPICER 29OCT07	PRODUCT SPEC														
<table border="0"> <tr><td>0 PLC</td><td>± -</td></tr> <tr><td>1 PLC</td><td>± -</td></tr> <tr><td>2 PLC</td><td>± 0.20 [.008]</td></tr> <tr><td>3 PLC</td><td>± -</td></tr> <tr><td>4 PLC</td><td>± -</td></tr> <tr><td>ANGLES</td><td>± 5°</td></tr> </table>		0 PLC	± -	1 PLC	± -	2 PLC	± 0.20 [.008]	3 PLC	± -	4 PLC	± -	ANGLES	± 5°	APPLICATION SPEC		TERMINAL, SOLISTRAND, RING TONGUE, WIRE SIZE : #2	
0 PLC	± -																
1 PLC	± -																
2 PLC	± 0.20 [.008]																
3 PLC	± -																
4 PLC	± -																
ANGLES	± 5°																
MATERIAL COPPER ASTM B152	FINISH SEE TABLE	WEIGHT -	SIZE A3	CAGE CODE 00779	DRAWING NO G-35184												
CUSTOMER DRAWING			RESTRICTED TO -	SCALE 3:1	SHEET 1 OF 1												
			REV E														