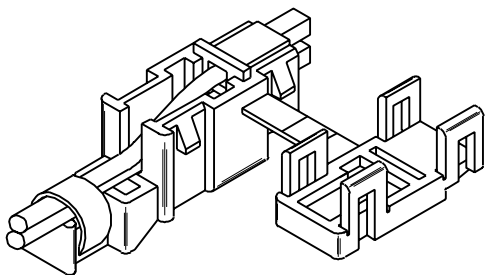
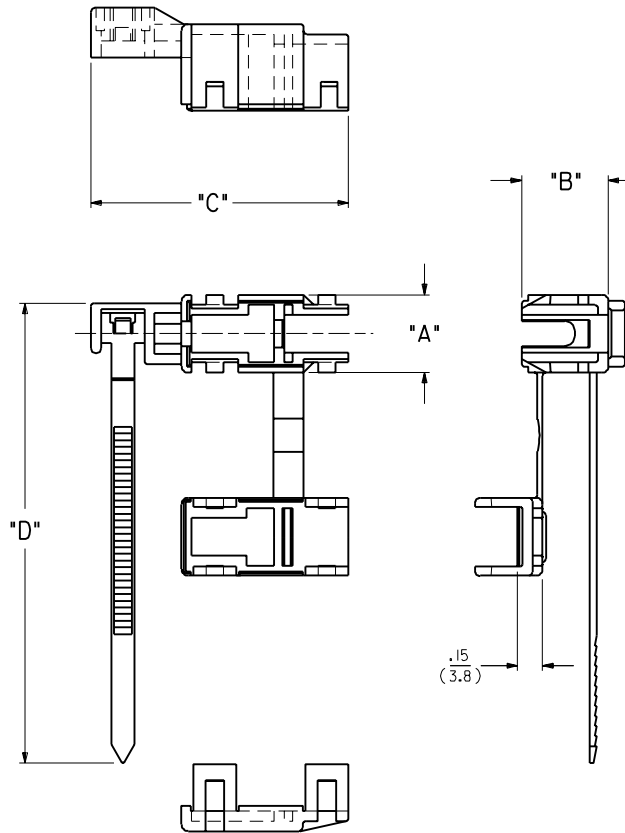


2 CIRCUIT PART (CLOSED)



2 CIRCUIT PART (OPEN)



NOTES:

- 1) THIS PART IS TO BE USED ONLY WITH MINI-FIT JR. SERIES CONNECTORS WITHOUT MOUNTING EARS, PER CHART. SEE PAGE 2.
- 2) THIS PART CAN BE USED WITH A STANDARD TIE-STRAP GUN.
- 3) ALL DIMENSIONS ARE FOR REFERENCE ONLY.
- 4) IF THIS PRODUCT IS STORED IN AN ENVIRONMENT WITH A RELATIVE HUMIDITY OF LESS THAN 50%, MOISTURE MUST BE ADDED AS PER THE FOLLOWING:
  - A) ADD 0.4 OZ. OF DEIONIZED WATER PER 1.0 LB. OF PRODUCT
  - B) RESEAL PLASTIC BAG AFTER MOISTURIZATION

G2	REVISED LICR2000-0297 L.MOSLEY 99/10/28
G1	REVISED ECN U70573 RUSHTON 96/12/4
G	REMOVED 10 CKT. PART, ECN U31520 GEP 11-8-93
F	REVISED PER ECR U10256 1-11-91 RJF
E2	ADDED E.O.P. NO. PER ERO 29246 11-28-89 RF
E1	REV. A & B ADDED DIM D, ERO 29152 GEP 11-8-89 RJF
E	REV. & ADDED 3AA & 3AB, ECN U90966 GEP 8-15-89 RJF
DI	REVISED PER ERO 28534 6-16-89 RJF
D	REDRAWN ON CAD ERO 119 0357 05-01-89 RHR/DMF

G	2	G2
G1	1	G2
MFG.	SH.	REV.
LTR.	REVISONS	

DIMENSIONS SHOWN (METRIC) INCH		UNLESS OTHERWISE SPECIFIED TOLERANCES: ANGULAR ± 1/2°		TITLE	
INCH		METRIC		STRAIN RELIEF FOR MINI-FIT PLUGS AND RECEPTACLES	
3 PLACE	± .---	± .---	± .---	MOLEX INCORPORATED	
2 PLACE	± .---	± .---	± .---	L15LEJLL 69532	
1 PLACE	± .---	± .---	± .---	SHEET NO. DATE	
DRAFT WHERE APPLICABLE MUST REMAIN WITHIN DIMENSIONS				1 OF 2 05/01/89	
DRWG. NO. SD-41995-***		DRWG. NO. SD-41995-***		REV. SIZE	
DRWG. BY: DMF	CHKD. BY: RHR	FILE NAME: SD41995X1.DWG	THIS DRAWING CONTAINS INFORMATION THAT IS PROPRIETARY TO MOLEX INC. AND SHOULD NOT BE USED WITHOUT WRITTEN PERMISSION.		
APP'D. BY: RAS	SCALE: 2 : 1	CP C			

								41995													
PART NO.	ENG. NO.	FOR USE WITH CONNECTOR NO.	CKT. SIZE	DIM. "A"	DIM. "B"	DIM. "C"	DIM. "D"														
J	15-04-0340	41995-2AA	5557-02R • 5559-02P •	2	.47/(11.9)	.52/(13.2)	1.54/(39.1)	2.75/(69.8)													
I	15-04-0294	41995-4AA	5557-04R • 5559-04P •	4	.63/(16.0)	.52/(13.2)	1.89/(48.0)	4.25/(107.9)													
I	15-04-0296	41995-6AA	5557-06R • 5559-06P •	6	.80/(20.2)	.52/(13.2)	1.89/(48.0)	3.25/(82.55)													
	15-04-0343	41995-8AA	5557-08R • 5559-08P •	8	.97/(24.6)	.52/(13.2)	1.89/(48.0)	4.25/(107.9)													
H	15-04-0345	41995-12AA	5557-12R • 5559-12P •	12	1.30/(33.0)	.52/(13.2)	1.89/(48.0)	4.25/(107.9)													
	NOT TOOLED	41995-14AA	5557-14R • 5559-14P •	14	1.46/(37.0)	.64/(16.2)	1.89/(48.0)	4.25/(107.9)													
	NOT TOOLED	41995-16AA	5557-16R • 5559-16P •	16	1.62/(41.1)	.64/(16.2)	1.89/(48.0)	4.25/(107.9)													
G	NOT TOOLED	41995-18AA	5557-18R • 5559-18P •	18	1.79/(45.4)	.80/(20.3)	2.04/(51.8)	4.25/(107.9)													
	NOT TOOLED	41995-20AA	5557-20R • 5559-20P •	20	1.95/(49.6)	.80/(20.3)	2.04/(51.8)	4.25/(107.9)													
	NOT TOOLED	41995-22AA	5557-22R • 5559-22P •	22	2.12/(53.7)	.80/(20.3)	2.04/(51.8)	4.25/(107.9)													
F	NOT TOOLED	41995-2AB	5557-02R • 5559-02P •	2	.47/(11.9)	.52/(13.2)	1.54/(39.1)	2.75/(69.8)													
E	15-04-9341	41995-4AB	5557-04R • 5559-04P •	4	.63/(16.0)	.52/(13.2)	1.89/(48.0)	4.25/(107.9)													
	15-04-9342	41995-6AB	5557-06R • 5559-06P •	6	.80/(20.3)	.52/(13.2)	1.89/(48.0)	4.25/(107.9)													
	15-04-9343	41995-8AB	5557-08R • 5559-08P •	8	.97/(24.6)	.52/(13.2)	1.89/(48.0)	4.25/(107.9)													
D	NOT TOOLED	41995-12AB	5557-12R • 5559-12P •	12	1.30/(33.0)	.52/(13.2)	1.89/(48.0)	4.25/(107.9)													
	NOT TOOLED	41995-14AB	5557-14R • 5559-14P •	14	1.46/(37.0)	.64/(16.2)	1.89/(48.0)	4.25/(107.9)													
	NOT TOOLED	41995-16AB	5557-16R • 5559-16P •	16	1.62/(41.1)	.64/(16.2)	1.89/(48.0)	4.25/(107.9)													
C	NOT TOOLED	41995-18AB	5557-18R • 5559-18P •	18	1.79/(45.4)	.80/(20.3)	2.04/(51.8)	4.25/(107.9)													
	NOT TOOLED	41995-20AB	5557-20R • 5559-20P •	20	1.95/(49.6)	.80/(20.3)	2.04/(51.8)	4.25/(107.9)													
	NOT TOOLED	41995-22AB	5557-22R • 5559-22P •	22	2.12/(53.7)	.80/(20.3)	2.04/(51.8)	4.25/(107.9)													
B	NOT TOOLED																				
A																					

LEGEND:

BASE NUMBER \_\_\_\_\_

CIRCUIT SIZE \_\_\_\_\_  
(2-22)

MATERIAL \_\_\_\_\_

"A" = NYLON 6/6, U.L. 94V-2

COLOR \_\_\_\_\_

"A" = NATURAL (NOT DYED)

"B" = BLACK (DYED)

41995-\*\*\*

REVISIONS

G	SEE SHT. I
F	SEE SHT. I
E2	SEE SHT. I
E1	SEE SHT. I
E	SEE SHT. I
D1	SEE SHT. I
D	SEE SHT. I
C2	SEE SHEET #1
LTR.	REVISIONS

DIMENSIONS SHOWN (METRIC INCH)  
UNLESS OTHERWISE SPECIFIED  
TOLERANCES: ANGULAR ± .125°  
INCH METRIC  
3 PLACE ± .001 --- ± .025  
2 PLACE ± .005 --- ± .125  
1 PLACE --- ± .500

DRAFT WHERE APPLICABLE MUST  
REMAIN WITHIN DIMENSIONS

DRWG. BY: DMF CHK'D BY: RHR  
APP'D. BY: RAS SCALE: --- : ---

TITLE STRAIN RELIEF FOR MINI-FIT PLUGS AND RECEPTACLES		SHEET NO. 2		DATE 05/01/89
PART NO. SEE CHART			DRWG. NO. SD-41995-***	
FILE NAME SD41995X2 DGN		THIS DRAWING CONTAINS INFORMATION THAT IS PROPRIETARY TO MOLEX INC. AND SHOULD NOT BE USED WITHOUT WRITTEN PERMISSION.		DIV. SIZE CP C

41995

NO P.S.1