

CGA9P4X7T2W105M250KE

TDK Item Description : CGA9P4X7T2W105MT***S



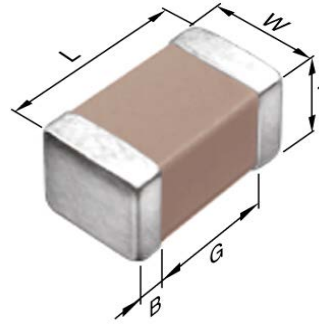
Equivalent C5750X7T2W105M for Automotive

Application & Main Feature

Automotive Grade (Soft Termination)

Series

CGA9(5750) [EIA CC2220]



Dimensions

L	5.70mm +0.5,-0.4mm
W	5.00mm +/-0.4mm
T	2.50mm +/-0.3mm
B	0.20mm Min.
G	

Temperature Characteristic

X7T (-55 to 125 degC +22,-33%)

Rated Voltage

2W (450Vdc)

Capacitance

1uF

Capacitance Tolerance

M (+/-20%)

Dissipation Factor

2.5% Max.

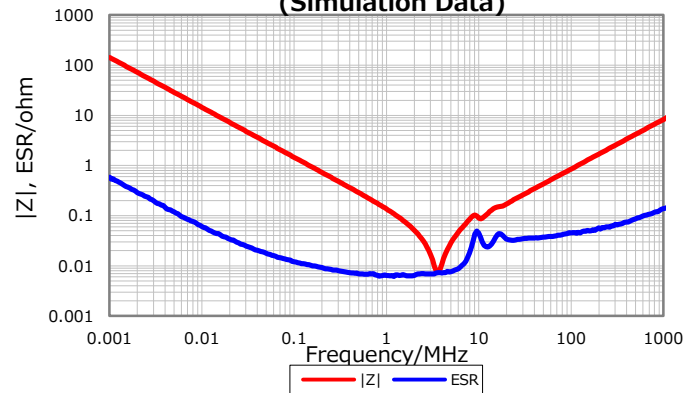
Insulation Resistance

500Mohm Min.

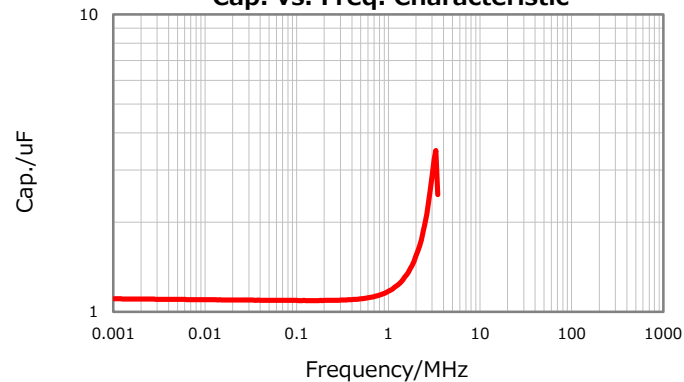
AEC-Q200

Yes

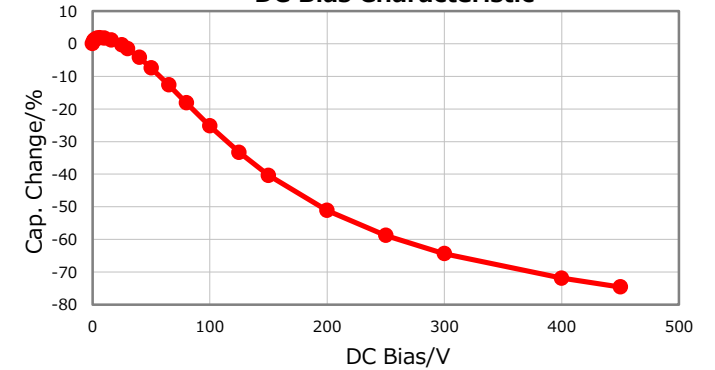
|Z|, ESR vs. Freq. Characteristics (Simulation Data)



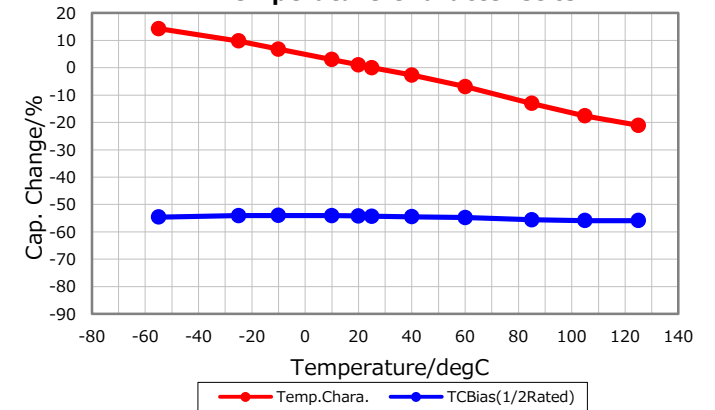
Cap. vs. Freq. Characteristic



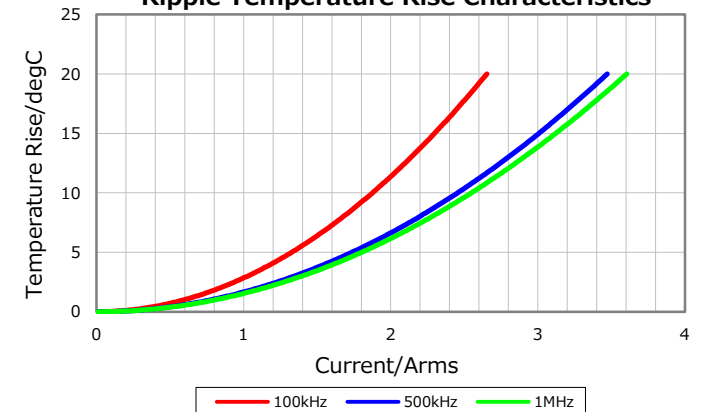
DC Bias Characteristic



Temperature Characteristics



Ripple Temperature Rise Characteristics



Characterization Sheet (Multilayer Ceramic Chip Capacitors)



All specifications are subject to change without notice.

March 17, 2017