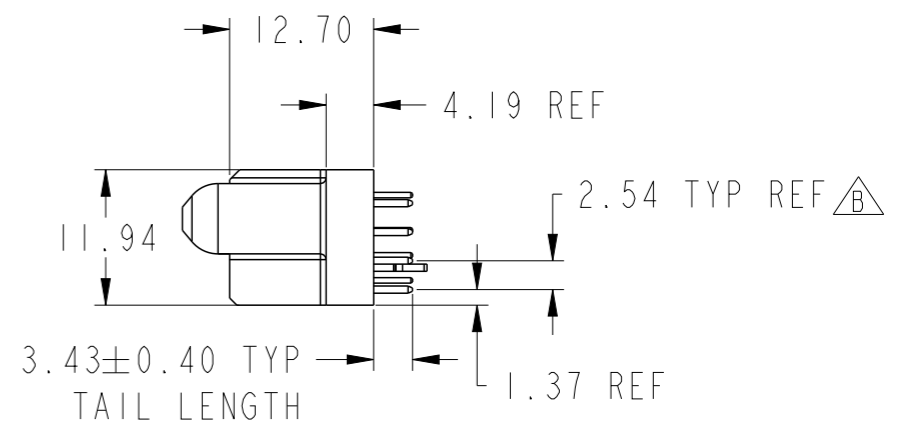
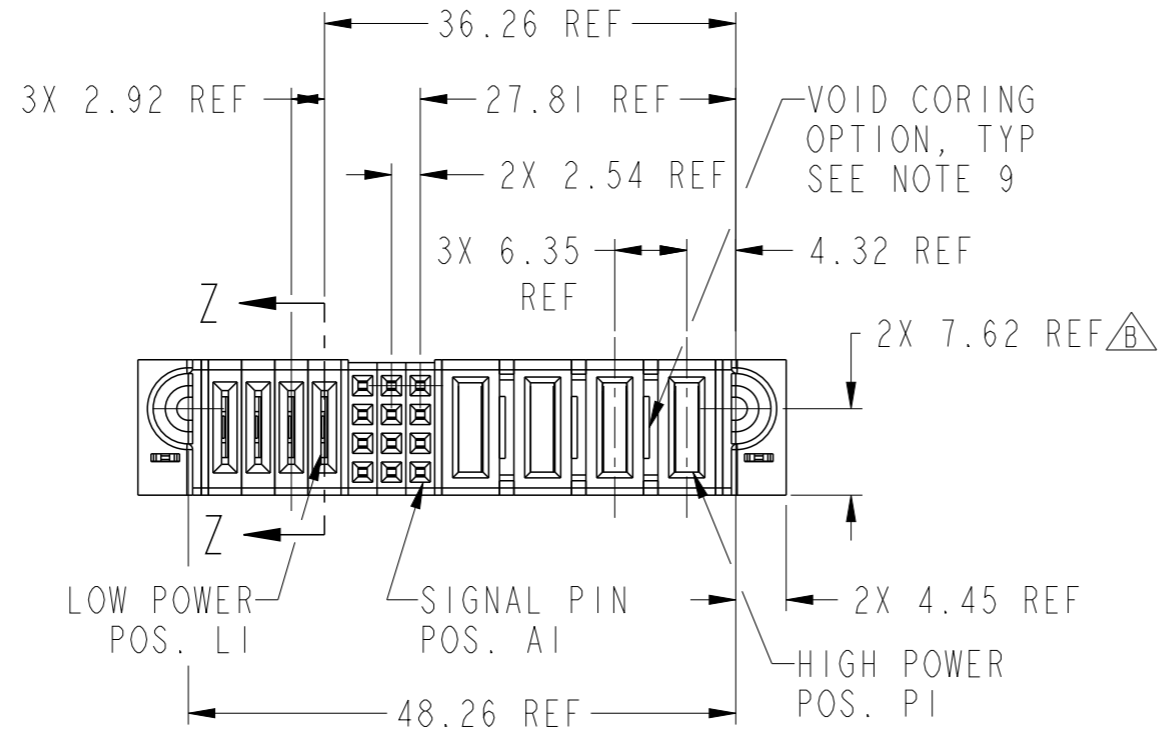
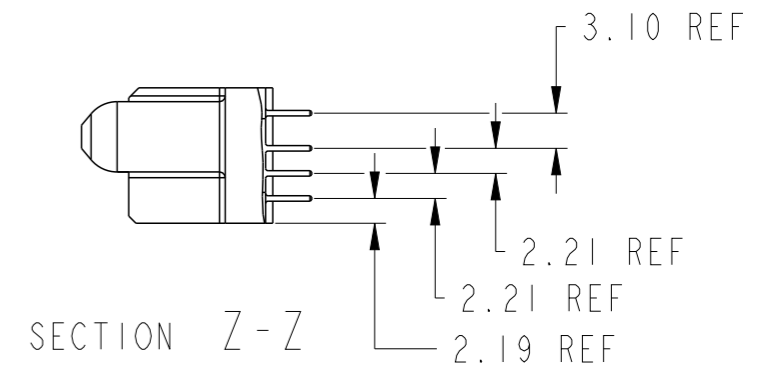
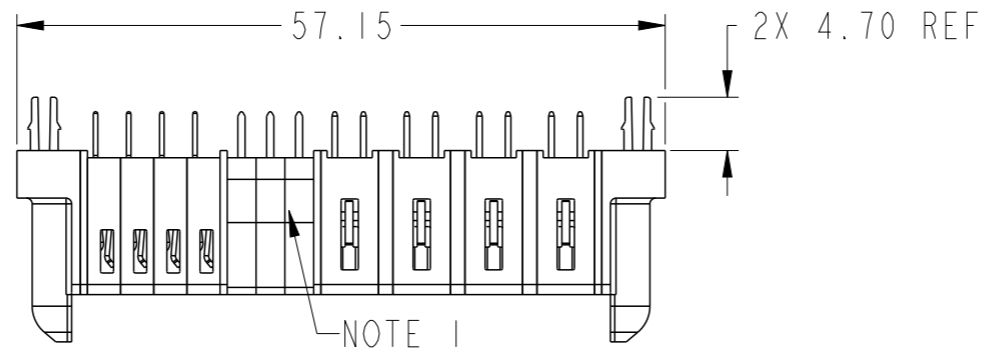
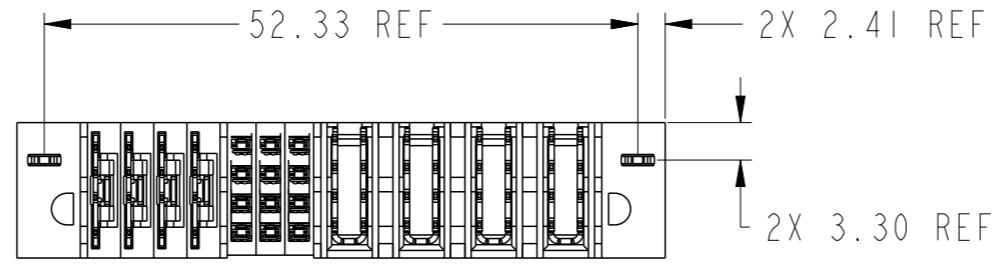


PRODUCT NUMBER SEE SHEET 2

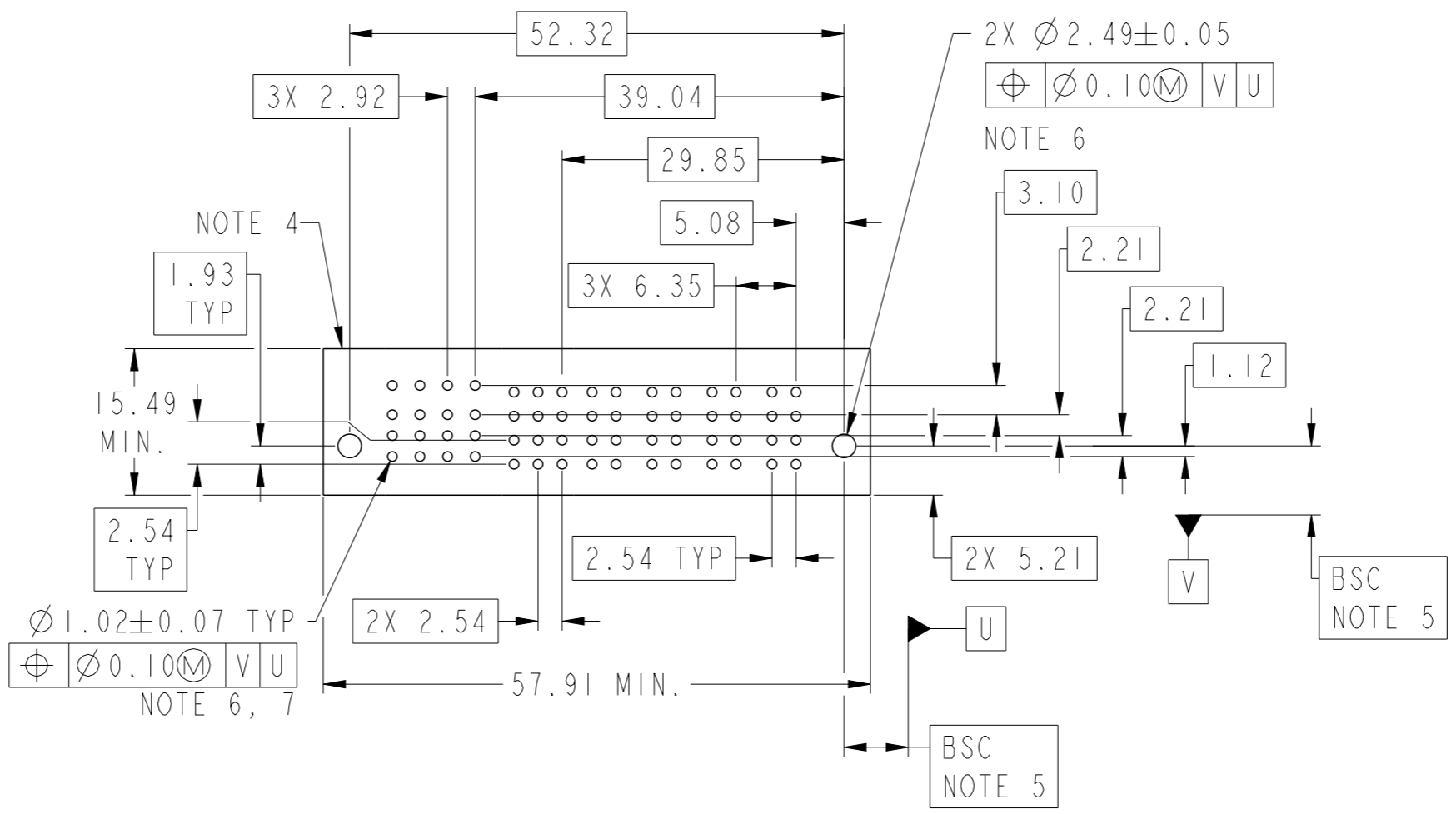


Copyright FCI.

spec ref		dr	Peng-Bing Fu	2012/05/16	projection	MM	size	A3	scale	3:2
tolerance std		eng	Peng-Bing Fu	2012/11/12			ecn no		ELX-DG-013146-1	
ASME Y14.5		chr	Tian-Xu Huang	2012/11/13			rel level		Released	
surface		linear	0.X	±0.50		4HP + 12S + 4LP VT STB RECEPTACLE	dwg no	10106130-4403001		rev
			0.XX	±0.25				Product - Customer Drw	sheet 1 of 3	
			0.XXX	±0.10						
ASME Y14.5	angular	0°	±2°	www.fci.com	cat. no.					

PRODUCT NO.	ROWS	LP				S				HIGH POWER				
		E1	L4	L3	L2	L1	3	2	1	P4	P3	P2	P1	E2
10106130-4403001LF	DCBA	LRLRLRLR				EEEEE				H3	H3	H6	H6	

CODE	DESCRIPTION
E	STD SIGNAL CONTACT
H3	STD HIGH POWER CONTACT (3.43)
H6	MFBL HIGH POWER CONTACT (3.43)
HA	METAL HOLD DOWN
LR	STD LOW POWER CONTACT (3.43)



Copyright FCI.

dr	Peng-Bing Fu	2012/05/16	projection	MM	size	A3	scale	3:2
eng	Peng-Bing Fu	2012/11/12			ecn no	ELX-DG-013146-1		
chr	Tian-Xu Huang	2012/11/13				product family	PowerBlade+	rel level
appr	Pei-Ming Zheng	2012/11/13				title	4HP + 12S + 4LP	rev
www.fci.com			cat. no.	Product - Customer Drw			sheet 2 of 3	
			dwg no	10106130-4403001			rev	B

A

B

C

D


A

B

C

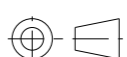
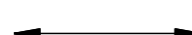
D

NOTES:

- 1) "FCI", PART NUMBER AND DATE CODE TO BE MARKED ON THIS SURFACE.
THE P/N CAN BE OMITTED IF THERE IS NOT ENOUGH SPACE ON THIS SURFACE.
- 2) MATERIALS:
-HOUSING - GLASS FILLED WITH HIGH TEMP THERMOPLASTIC, UL94V-0.
-SIGNAL CONTACT - COPPER ALLOY.
-POWER CONTACT - HIGH CONDUCTIVITY COPPER ALLOY.
- 3) PLATING SPECIFICATION REFER TO FCI 10116351
- 4) DENOTES CONNECTOR KEEP OUT ZONE.
- 5) DATUM AND BASIC DIMENIONS WERE ESTABLISHED BY CUSTOMER.
- 6) ALL HOLE DIAMETERS ARE FINISHED HOLE SIZES.
- 7) 1.15 ± 0.025 MM DRILLED HOLE PLATED WITH 0.00762MM MIN Sn
OVER 0.0254-0.0762MM Cu PLATING TO ACHIEVE A 1.02 ± 0.07 MM HOLE.
- 8) PRODUCT SPECIFICATION REFER TO FCI GS-12-658.
APPLICATION SPECIFICATION REFER TO FCI GS-20-141.
PRODUCT PACKAGED IN TRAYS, REFER TO FCI GS-14-1502.
- 9) THE VOID CORING IN BETWEEN POWER MODULES, SIGNAL
MODULES AND END MODULES ARE OPTIONAL AND THE SHAPE
MAY BE DIFFERENT FOR OPTIMIZE THE MOLDING PROCESS. THE
VOID CORING WILL NOT EFFECT TO PRODUCT FUNCTION.
- 10) A  SYMBOL WILL BE NEXT TO ANY DIMENSION, VIEW, OR NOTE WHICH HAS
BEEN MODIFIED WITH THE CURRENT DRAWING REVISION.



Copyright FCI.

dr	Peng-Bing Fu	2012/05/16	projection 	MM 	size	A3	scale	1:1
eng	Peng-Bing Fu	2012/11/12			ecn no	ELX-DG-013146-1		
chr	Tian-Xu Huang	2012/11/13			product family	PowerBlade+	rel level	Released
appr	Pei-Ming Zheng	2012/11/13			rev	4HP + 12S + 4LP		rev
www.fci.com			cat. no.	VT STB RECEPTACLE		dwg no	10106130-4403001	
			Product - Customer Drw			sheet 3 of 3		