

H

G

F

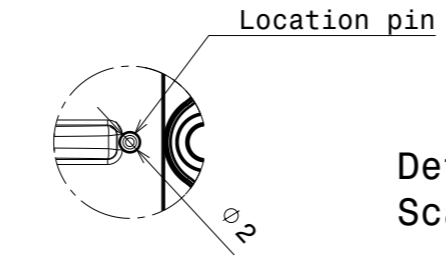
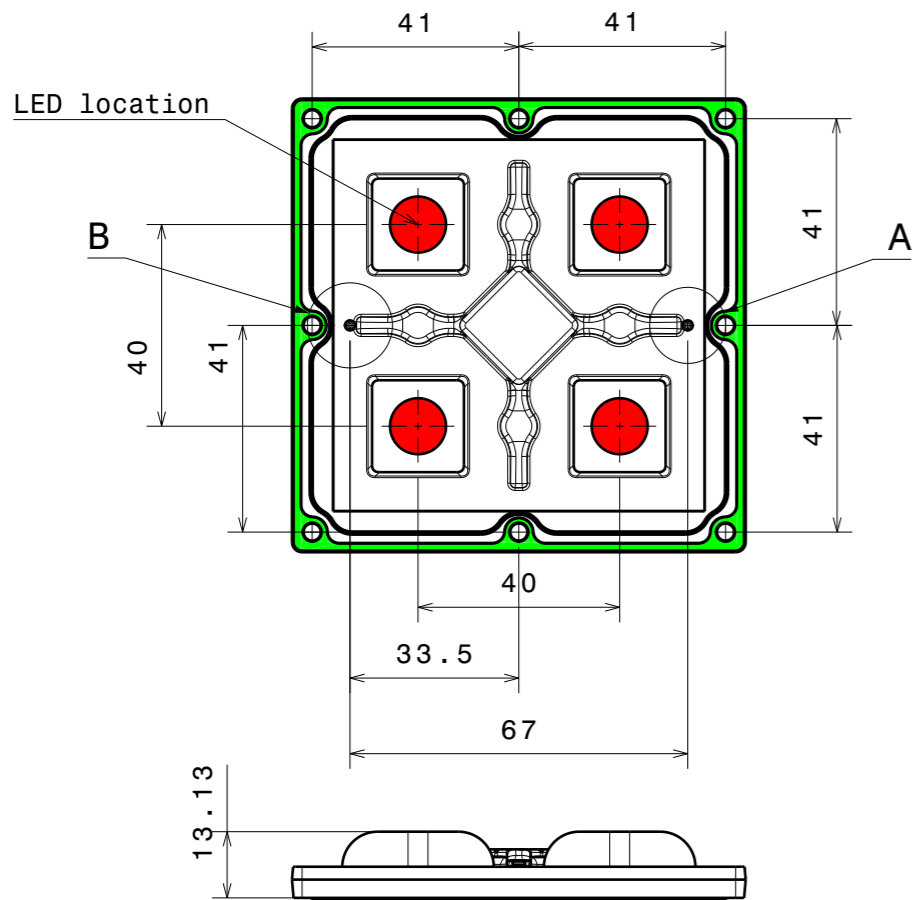
E

D

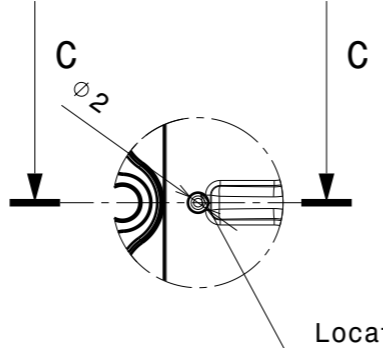
C

B

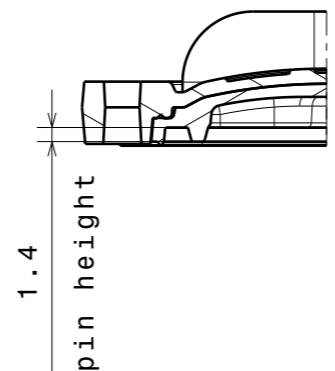
A



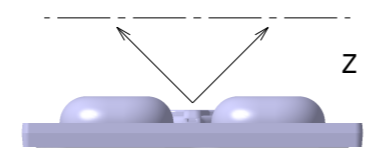
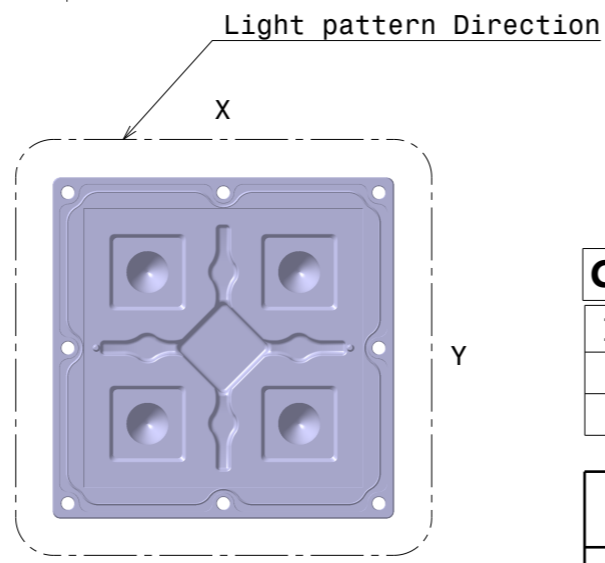
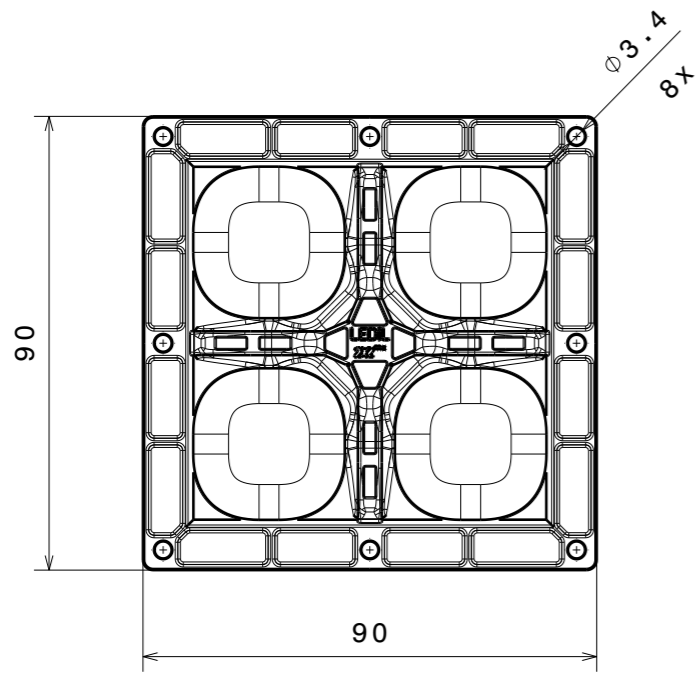
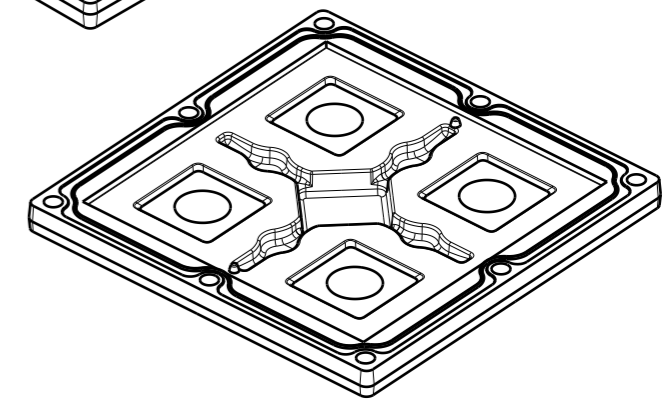
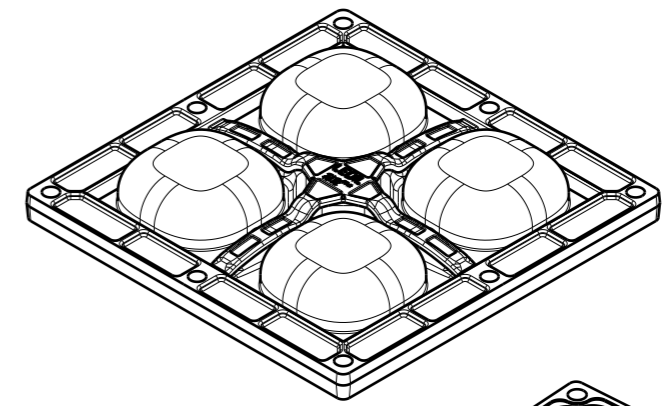
Detail A
Scale: 4:3



Detail B
Scale: 4:3



Section view C-C
Scale: 4:3



Notes

- PCB or heat sink level
 - Led location
- Ensure LED fitting from a product specific 3D model available from www.ledil.com
- See installation details page 2.

COMPONENTS

INDEX	PRODUCT	TYPE	MATERIAL	COLOUR/COATING
1	F15811_STRADA-2X2MXS-VSM	LENS	Silicone	CLEAR
2	F14813_STRADA-2X2MXS-FRAME	Frame	PA66GF30	Black

MECHANICAL DRAWING

PRODUCT
FP15812_STRADA-2X2MXS-VSM



Tolerances if not otherwise shown
According to DIN ISO 2768-1
Linear measures:
Up to 30mm class M, otherwise class C.
According to DIN ISO 2768-2
Form and position: class L

FIRST ANGLE PROJECTION:

This drawing is the property of LEDiL Oy. It may not be reproduced, copied or communicated without a written agreement with LEDiL Oy.

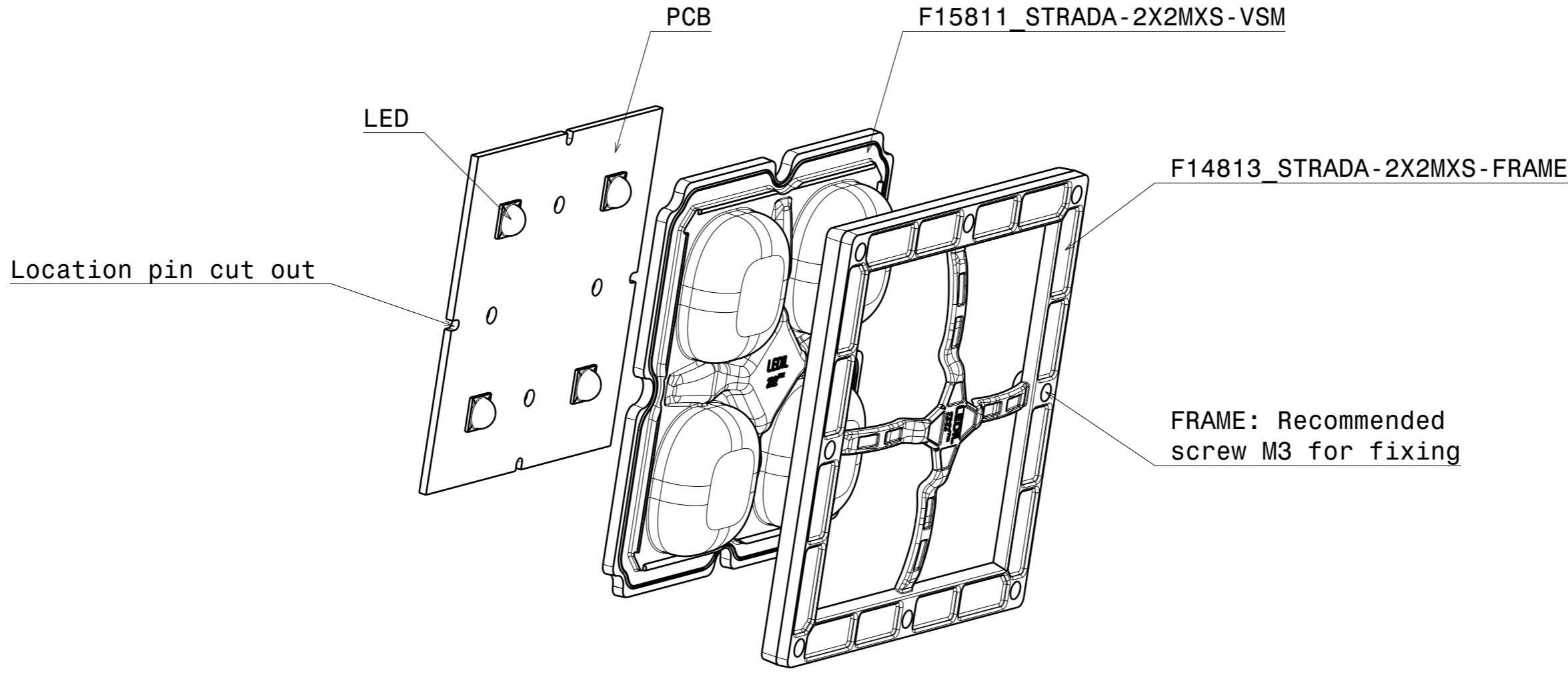
SCALE	2:3	SIZE	A3	SHEET	1/2
-------	-----	------	----	-------	-----

H

G

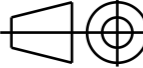
B

A



Notes

For more details about installation please see LEDiL Installation Guide on www.ledil.com

MECHANICAL DRAWING		LEDiL[®]
PRODUCT FP15812_STRADA-2X2MXS-VSM		
Tolerances if not otherwise shown According to DIN ISO 2768-1 Linear measures: Up to 30mm class M, otherwise class C. According to DIN ISO 2768-2 Form and position: class L	FIRST ANGLE PROJECTION: 	This drawing is the property of LEDiL Oy. It may not be reproduced, copied or communicated without a written agreement with LEDiL Oy.
SCALE 2:1	SIZE A3	SHEET 2/2