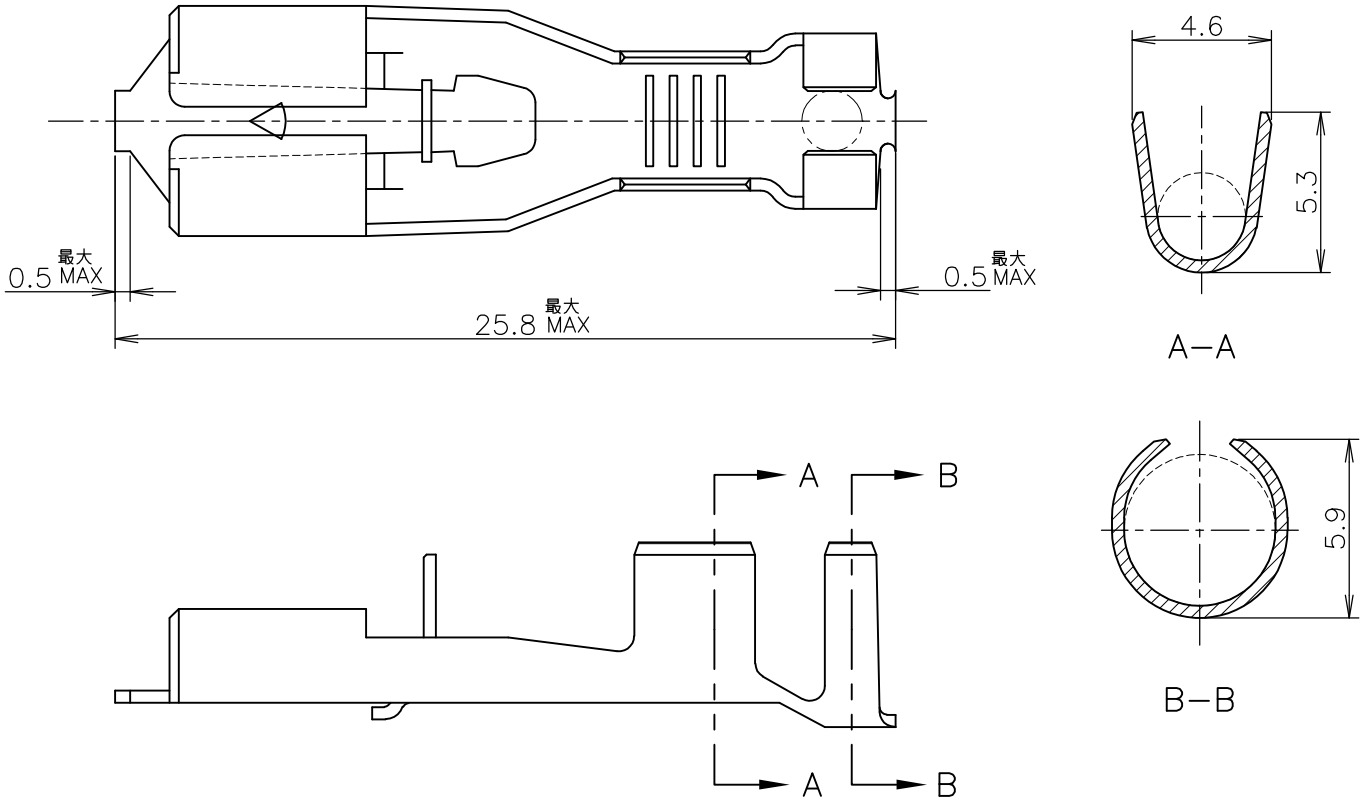


LOC J	DIST /	REVISIONS 変更			DATE	DWN	APVD
		P	LTR	DESCRIPTION			
			F	REDRAWN ECR-10-023816	26NOV2010	T.T	T.M

-1; AS SHOWN



- ⚠ 適用手動工具は使用電線により2種類。(取付適用規格番号 114-5042)
- ⚠ THERE ARE TWO TYPE HAND TOOLS BY USE WIRE. (APPLICATION SPEC: 114-5042)

WIRE mm2 (AWG) 適用電線	HAND TOOL P/N 適用工具型番
1.75-2.27 (#15-#14)	911775-1
3.08-5.27 (#12-#10)	911776-1

IS-392J	911775-1 911776-1	⚠ 170329-1	PRE TINNED BRASS 錫めっき付 黄銅 0.41t	170335-1
INSTRUCTION NO. 取扱説明書番号	HAND TOOL P/N 手動工具型番	STRIP NO. 連鎖状端子型番	MATERIAL 材料	P/N 型番

WIRE RANGE 抱合電線断面積	AWG #15-#10 1.75~5.4 mm <sup>2</sup>	INSULATION DIA 被覆外径	3.0~5.1 mmφ
-----------------------	---	------------------------	-------------

THIS DRAWING IS UNPUBLISHED. RELEASED FOR PUBLICATION DEC, 1978. ALL INTERNATIONAL RIGHTS RESERVED.

COPYRIGHT 1978 BY TYCO ELECTRONICS CORPORATION.

DIMENSIONS: 単位: 耗 mm	DWN T.TSUZAKI	24NOV2010	MATERIAL 材料	表参照 SEE TABLE	FINISH 仕上	
	CHK T.MASUDA	26NOV2010	Tyco Electronics Corporation Kawasaki, Japan			
TOLERANCES UNLESS OTHERWISE SPECIFIED: 一般公差	APVD T.MASUDA	26NOV2010				
0 PLC ±	PRODUCT SPEC 製品規格		SIZE	A4	CAGE CODE	00779
1 PLC ±	APPLICATION SPEC 取付適用規格		DRAWING NO 番号	C-170335		RESTRICTED TO
2 PLC ± ±0.4			WEIGHT	CUSTOMER DRAWING		
3 PLC ±			SCALE 尺度	4:1	SHEET	1 OF 1
4 PLC ±			REV	F		
ANGLES ± 3'						