

NOTES:

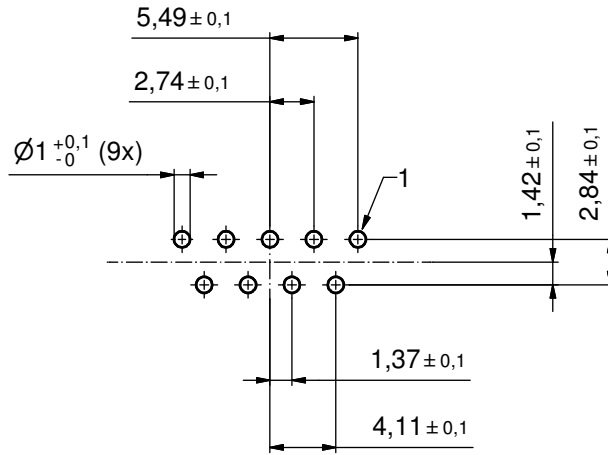
1. FOR WAVESOLDERING (SOLDER BATH TEMPERATURE 240°C FOR 5 SEC. AND SOLDER PREHEAT 120°C FOR 120 SEC.)
2. METALSHELLS: COPPER ALLOY; min. 315µm TIN over 40-80µm NICKEL
3. INSULATORS: PBT GF UL 94 V-0, BLACK
- ⓑ 4. CONTACTS: COPPER ALLOY; PLATING (SEE PART NO):
 - PLEASE ADD A for GOLD FLASH over NICKEL (PREFERRED TYPE)
 - PLEASE ADD B for 20µm HARD GOLD over min. 50µm NICKEL
 - PLEASE ADD C for 30µm HARD GOLD over min. 50µm NICKEL
5. THREADED INSERTS: COPPER ALLOY; min. 200µm TIN over 80µm NICKEL
6. COLLARS: COPPER ALLOY; min. 200µm TIN over 80µm NICKEL
7. FRAME: ZINC DIE CAST; NICKEL PLATED
8. HEXLOCKING SCREWS: STAINLESS STEEL
9. O-RING: SILICON; BLUE
10. SEALING COMPOUND: PUR; BLUE
11. P.C.B. HOLE DRILLINGS AND RECOMMENDED PANEL CUT-OUT ON SHEET 2
12. RECOMMENDED TORQUE FOR MOUNTING SCREW 35Ncm (3,1 in.LB) / max. 40Ncm (3,5 in. LB)
13. CONNECTOR IS PART MARKED: **6STD09S□R99B30X CONEC ABC** (see note 4)

AT ALL TIMES WATER RESISTANT CONNECTORS NOT IN USE SHOULD BE COVERED WITH A CONEC WATER RESISTANT CAP OR WATER TIGHT HOOD.

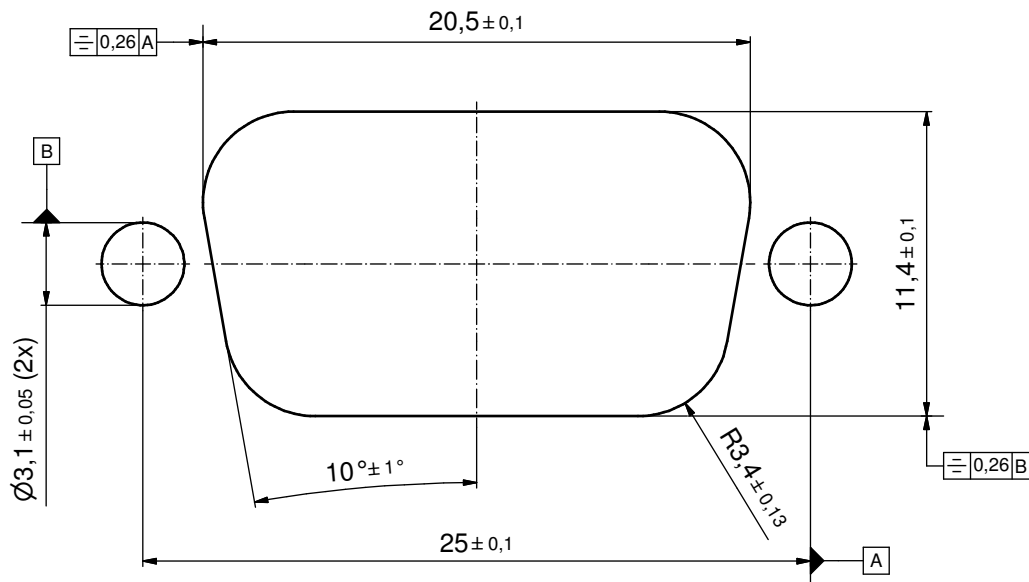
Directive 2002/95/EC RoHS compliant

THIS DRAWING MAY NOT BE COPIED OR REPRODUCED IN ANY WAY, AND MAY NOT BE PASSED ON TO A THIRD PARTY WITHOUT WRITTEN PERMISSION. OWNERSHIP AND COPYRIGHT OF CONEC GmbH DO NOT ALTER CAD DRAWING BY HAND	tolerance		dim. in mm		scale:	2:1 (5:1)
					material:	SEE NOTES
	date	name		title:		
	drawn	30.03.10	Lehmenkühler		D-SUB FEMALE 9pos. SOLDER PIN STRAIGHT with threaded insert and hexlocking screw	
appd.	31.03.10	Fischer				
norm			dwg no:			
d-old	18K1A376				DIN-A3	
3 x b	Ä5086	05.02.2014	K.H.	CONEC [®]		15K1A608
a	Original					sh: 1/2
rev.	description	date	name	part no: 6STD09S□R99B30X (see note 4)		

P.C.B. HOLE DRILLINGS
(P.C.B. TOP SIDE)



RECOMMENDED PANEL CUT-OUT



THIS DRAWING MAY NOT BE COPIED OR REPRODUCED IN ANY WAY, AND MAY NOT BE PASSED ON TO A THIRD PARTY WITHOUT WRITTEN PERMISSION. OWNERSHIP AND COPYRIGHT OF CONEC GmbH DO NOT ALTER CAD DRAWING BY HAND					tolerance		scale: 3:1
					dim. in mm		material: SEE SHEET 1
	drawn	30.03.10	Lehmenkühler		title:		
	appd.	31.03.10	Fischer		P.C.B. HOLE DRILLINGS		
	norm				RECOMMENDED PANEL CUT-OUT		
	d-old				D-SUB FEMALE 9pos. SOLDER PIN STRAIGHT		
	a	Original			dwg no:		DIN-A3
	rev.	description	date	name	15K1A608		sh: 2/2
					part no: SEE SHEET 1		
					CONEC [®]		