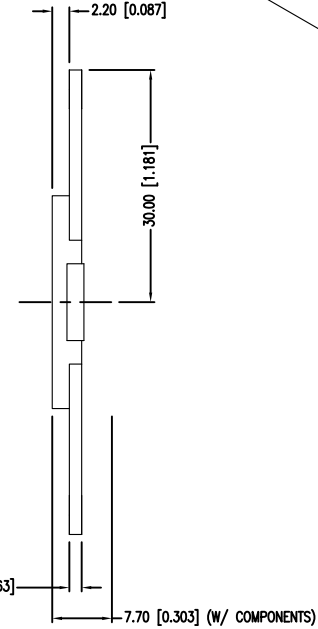
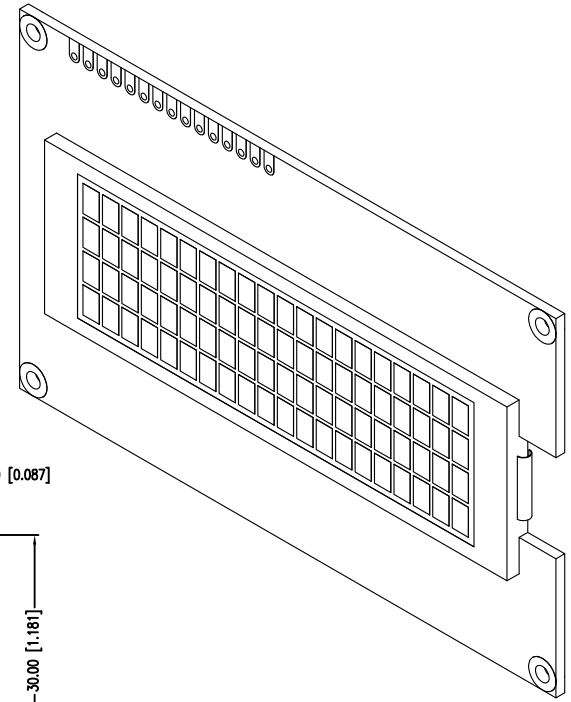
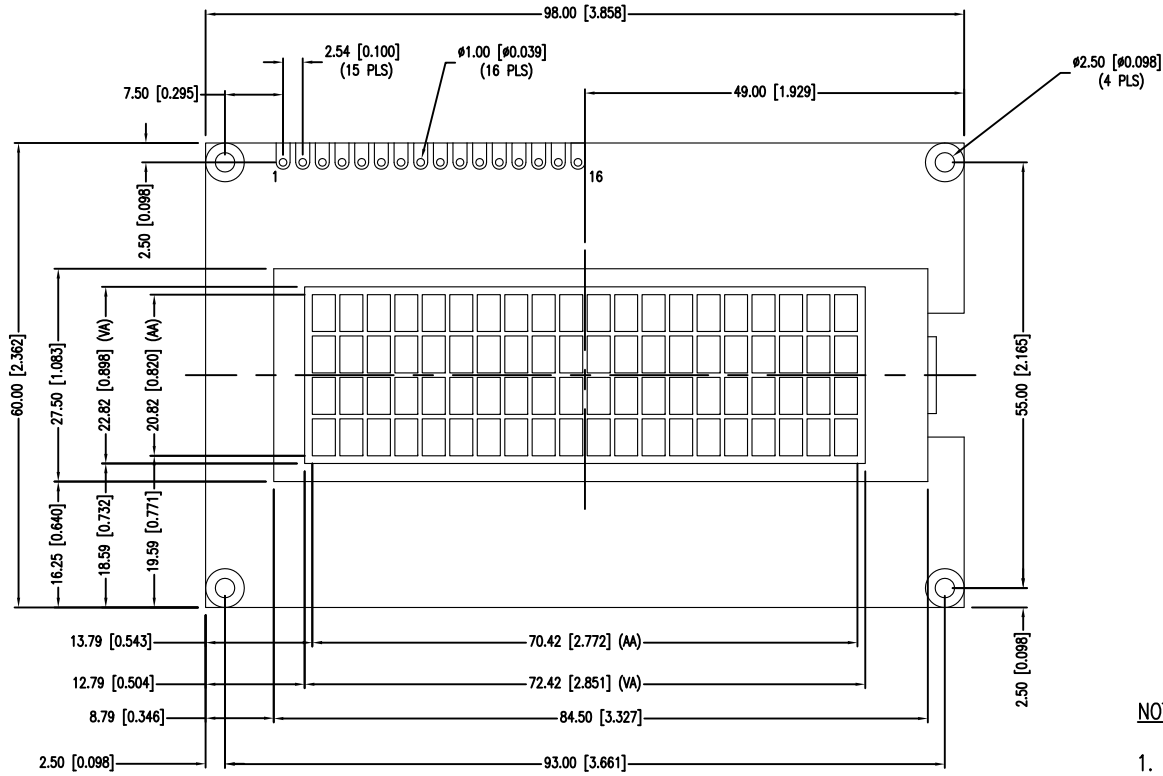


CHARACTER DETAIL
SCALE: 5:1



NOTES:

1. BLACK BACKGROUND.
2. PIXEL COLOR GREEN.
3. MINIMUM VIEWING ANGLE OF 65° FROM 12,3,6,9, 0'CLOCK.
4. WISECHIP SEMI US2066 CONTROLLER.

CAUTION: STATIC SENSITIVE DEVICE
FOLLOW PROPER E.S.D. HANDLING PROCEDURES
WHEN WORKING WITH THIS PART.

*UNLESS OTHERWISE SPECIFIED TOLERANCES PER DECIMAL PRECISION ARE: X=±1 (±0.039), X.X=±0.5 (±0.020), X.XX=±0.25 (±0.010), X.XXX=±0.127 (±0.005). LEAD SIZE=±0.05 (±0.002), LEAD LENGTH=±0.75 (±0.030). MIN.= +DECIMAL PRECISION MAX.= +0.00 -DECIMAL PRECISION

LUMEX
Creating LED and LCD Solutions Together™
425 N. GARY AVE.
CAROL STREAM, IL 60188-4900
PHONE: +1.800.278.5666
FAX: +1.630.315.2152
WEB: WWW.ITWCS.COM

20 X 4 OLED DISPLAY MODULE, GREEN CHARACTERS

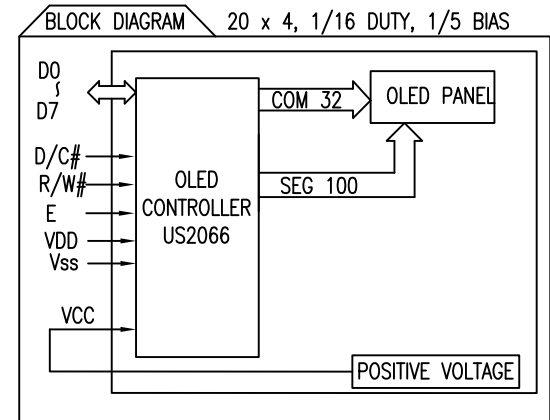
THE SPECIFICATIONS MAY CHANGE AT ANY TIME WITHOUT NOTICE DUE TO NEW MATERIALS OR PRODUCT IMPROVEMENT.

CONFIDENTIAL INFORMATION
THE INFORMATION CONTAINED IN THIS DOCUMENT IS THE PROPERTY OF LUMEX INC. EXCEPT AS SPECIFICALLY AUTHORIZED IN WRITING BY LUMEX INC., THE HOLDER OF THIS DOCUMENT SHALL KEEP ALL INFORMATION CONTAINED HEREIN CONFIDENTIAL AND SHALL PROTECT SAME IN WHOLE OR IN PART FROM DISCLOSURE AND DISSEMINATION TO ALL THIRD PARTIES.

DATE:	05.21.15	DRAWN BY:	MJK
PAGE:	1 OF 2	CHKD BY:	--
SCALE:	NTS	APRVD BY:	--
UNIT:	mm [INCH]		Ⓟ

PIN CONFIGURATION

PIN NO.	SYMBOL	LEVEL	DESCRIPTION
1	V _{SS}	0V	SUPPLY VOLTAGE FOR LOGIC GROUND
2	V _{DD}	5.0V	SUPPLY VOLTAGE FOR LOGIC
3	NC	-	-
4	RS	H/L	H:DATA, L: INSTRUCTION CODE
5	R/W	H/L	H:READ (MPU-->MODULE);L:WRITE(MPU-->MODULE)
6	E	H,H->L	CHIP ENABLE SIGNAL
7	DB0	H/L	DATA BIT 0
8	DB1	H/L	DATA BIT 1
9	DB2	H/L	DATA BIT 2
10	DB3	H/L	DATA BIT 3
11	DB4	H/L	DATA BIT 4
12	DB5	H/L	DATA BIT 5
13	DB6	H/L	DATA BIT 6
14	DB7	H/L	DATA BIT 7
15	V _{CC}	12.0V	SUPPLY VOLTAGE FOR PANEL(POSITIVE VOLTAGE OUTPUT): PLEASE NC
16	NC	-	-



ELECTRICAL/OPTO CHARACTERISTICS

V_{DD}=5V , T_A=25°C, 60% RH, V_{CC}=12.0V

ITEM	SYMBOL	CONDITION	STANDARD VALUE			UNIT
			MIN.	TYP.	MAX.	
SUPPLY VOLTAGE FOR LOGIC	V _{DD} -V _{SS}	-	4.7		5.3	V
SUPPLY VOLTAGE FOR PANEL	V _{CC} -V _{SS}	-	11.5	12.0	12.5	V
INPUT VOLTAGE	HIGH	V _{IH}	0.8V _{DD}	-	V _{DD}	V
	LOW	V _{IL}	0	-	0.2V _{DD}	V
OUTPUT VOLTAGE	HIGH	V _{OH}	0.9V _{DD}	-	V _{DD}	V
	LOW	V _{OL}	0	-	0.1V _{DD}	V
OLED DRIVING CURRENT	I _{DD}	-	60	-	-	mA
VIEW ANGLE				FREE		
DARK ROOM CONTRAST				>10000:1		
C.I.E. (C.I.E. 1931)	X		0.25	0.29	0.33	
	Y		0.62	0.66	0.73	
RESPONSE TIME					30	ns
BRIGHTNESS W/POLARIZER			80	100		cd/m ²

*BRIGHTNESS=80cd/m² , T_a=25°C, 60% RH, V_{DD}=5.0V, V_{CC}=12.0V, 100% DISPLAY AREA TURN ON.

ABSOLUTE MAXIMUM RATINGS

ITEM	SYMBOL	TEST CONDITION	STANDARD VALUE		UNIT
			MIN	MAX	
SUPPLY VOLTAGE FOR LOGIC	V _{DD} -V _{SS}	T _a =25°C	2.4	5.5	V
SUPPLY VOLTAGE FOR PANEL	V _{CC} -V _{SS}	T _a =25°C	11.5	12.5	V
HUMIDITY				85	%
OPERATING TEMPERATURE*	T _{opr}		-40	80	°C
STORAGE TEMPERATURE	T _{stg}		-40	90	°C

OPERATING LIFE 50,000 HRS
END OF LIFE IS SPECIFIED AS 50 %OF INITIAL BRIGHTNESS

*UNLESS OTHERWISE SPECIFIED TOLERANCES PER DECIMAL PRECISION ARE: X=±1 (±0.039), X.X=±0.5 (±0.020), X.XX=±0.25 (±0.010), X.XXX=±0.127 (±0.005). LEAD SIZE=±0.05 (±0.002), LEAD LENGTH=±0.75 (±0.030). MIN.= +DECIMAL PRECISION MAX.= +0.00 -DECIMAL PRECISION



20 X 4 OLED DISPLAY, GREEN CHARACTERS

THE SPECIFICATIONS MAY CHANGE AT ANY TIME WITHOUT NOTICE DUE TO NEW MATERIALS OR PRODUCT IMPROVEMENT.

CONFIDENTIAL INFORMATION
THE INFORMATION CONTAINED IN THIS DOCUMENT IS THE PROPERTY OF LUMEX INC. EXCEPT AS SPECIFICALLY AUTHORIZED IN WRITING BY LUMEX INC., THE HOLDER OF THIS DOCUMENT SHALL KEEP ALL INFORMATION CONTAINED HEREIN CONFIDENTIAL AND SHALL PROTECT SAME IN WHOLE OR IN PART FROM DISCLOSURE AND DISSEMINATION TO ALL THIRD PARTIES.

DATE: 05-21-2015	DRAWN BY: MJK
PAGE: 2 OF 2	CHKD BY: --
SCALE: NTS	APRVD BY: --
UNIT: mm [INCH]	Ⓟ