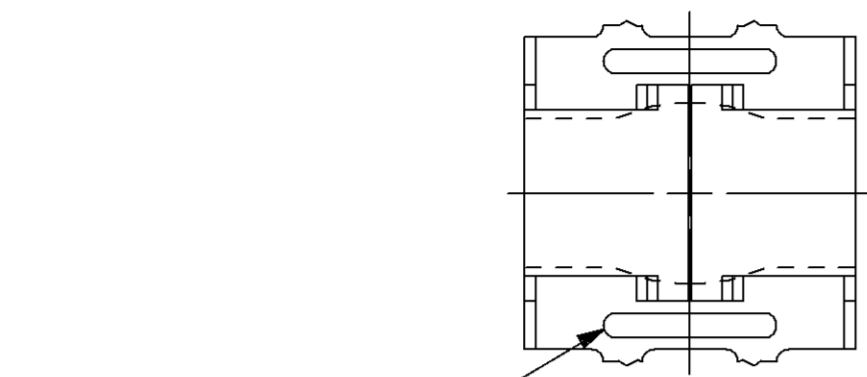
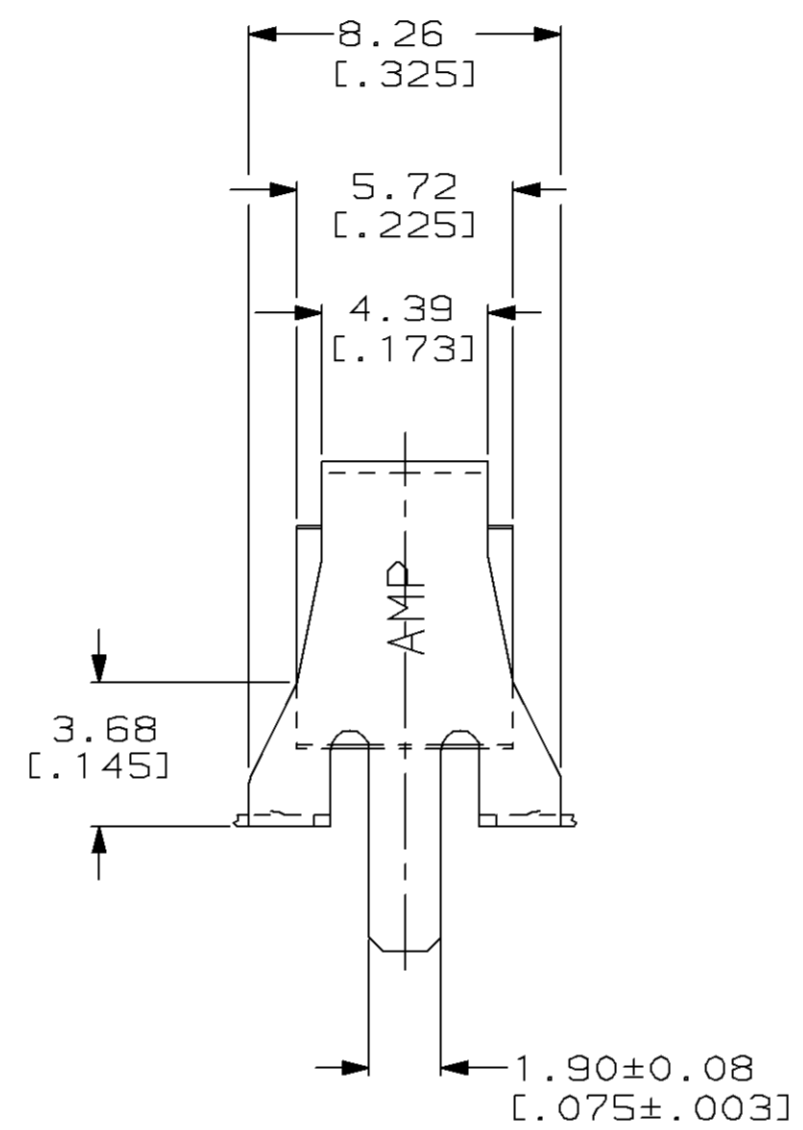
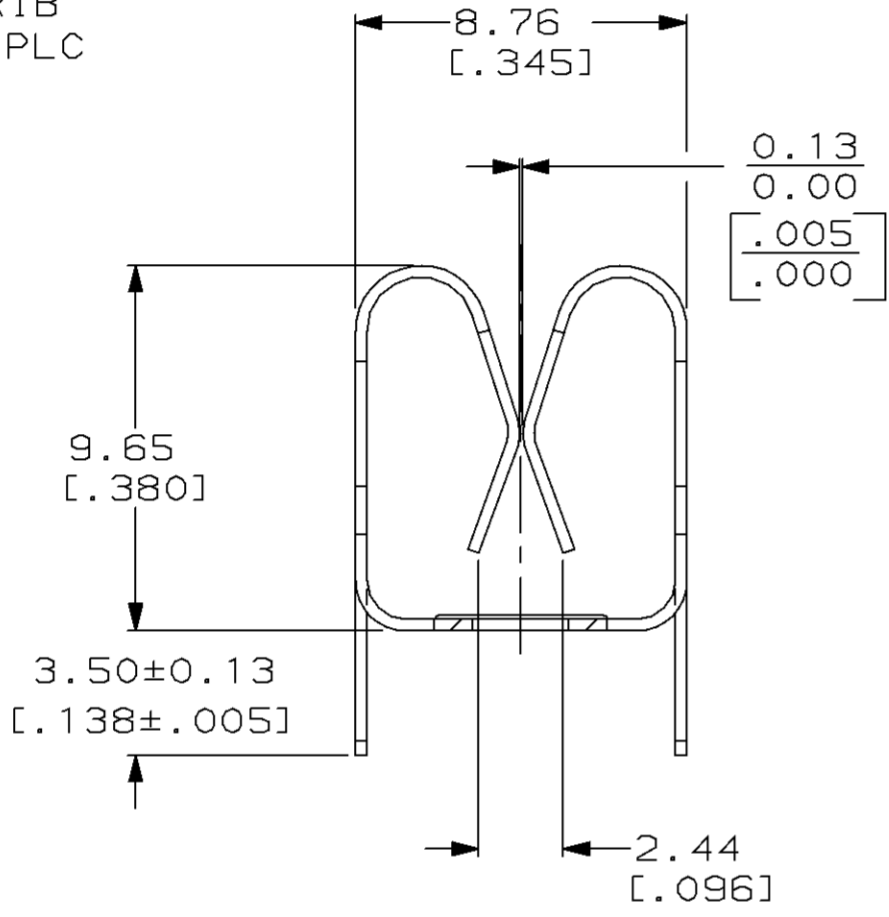


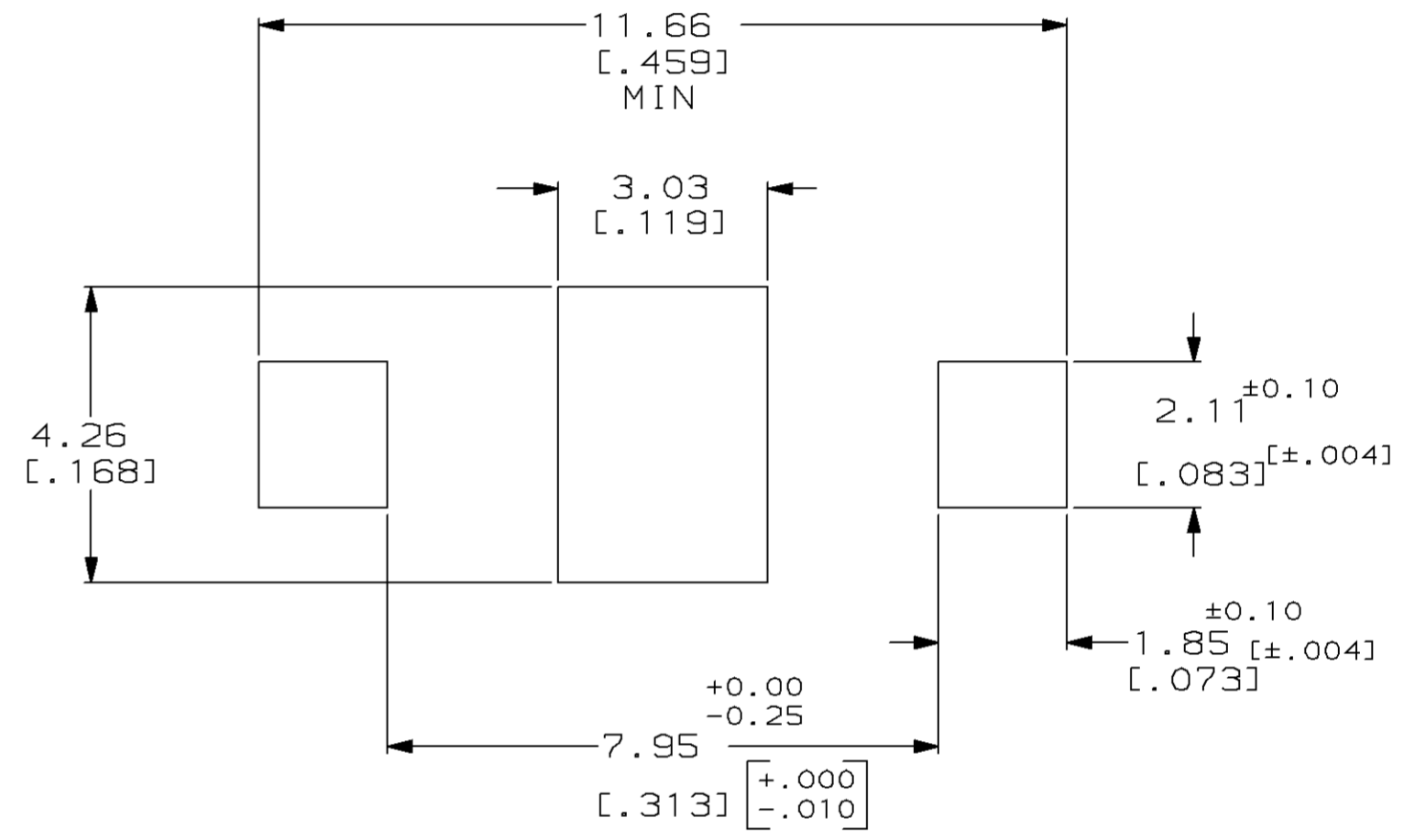
LOC	DIST	P	F	ZONE	LTR	DESCRIPTION	DATE	APPD
AF	50				A	RELEASR PER FASR & 0423-93	11/18/93	PF/EH



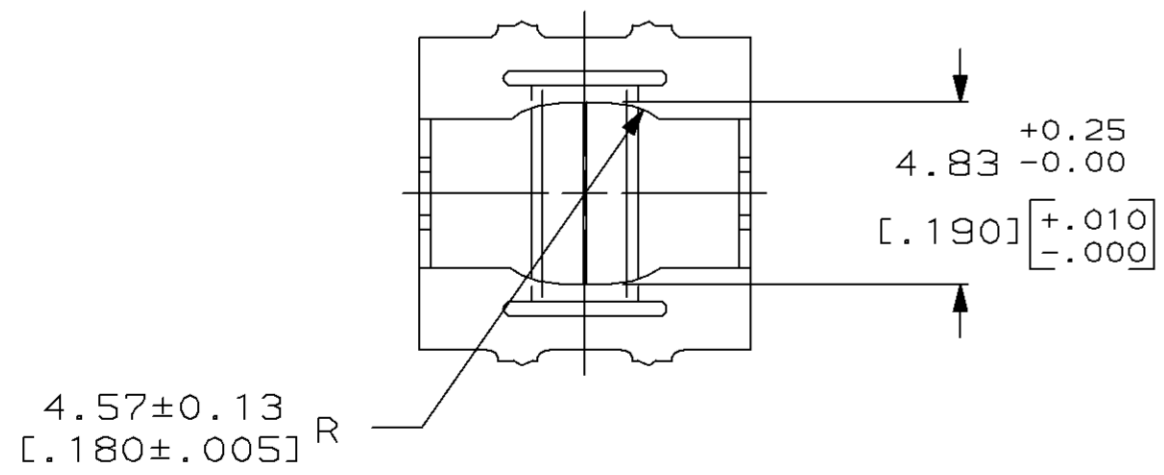
STRENGTHENING RIB
2 PLC



- 1 CONTINUOUS STRIP ON REEL.
- 2 FINISH: 0.00127-0.00381 [.000050-.000150] PRE-TIN PL PER MIL-T-10727.



RECOMMENDED
P.C. BOARD LAYOUT
1.57 [.062] THK BOARD
SCALE 10:1



DO NOT SCALE PRINT. UNLESS SPECIFIED DIMENSIONS IN mm [INCHES] TOLERANCES ON: 2 PLC DEC ± 0.25 [.010] 3 PLC DEC ± - ANGLES ± -		DR 2/2/93 P FORTNEY		AMP Incorporated Harrisburg, PA 17105-3608	
MATERIAL H04 PHOS BRONZE		CHK 2/2/93 JR RUTH			
FINISH 2		APPD 2/2/93 E HOWARD		NAME PIN RECEPTACLE, P.C. BOARD	
APPLIC. SPEC -		APPD 2/2/93 R WEAIVILL		SIZE CAGE CODE DRAWING NO	
WEIGHT -		APPLICATION SPEC -		CAGE CODE 00779 DRAWING NO G=63700	
		SCALE 5:1		SHEET 1 OF 1	

THIS DRAWING IS A CONTROLLED DOCUMENT FOR AMP INCORPORATED. IT IS SUBJECT TO CHANGE AND THE CONTROLLING ENGINEERING ORGANIZATION SHOULD BE CONTACTED FOR THE LATEST REVISION.