

MICRO SWITCH
a Honeywell Division

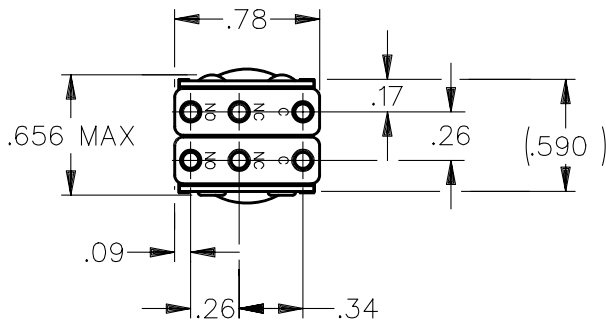
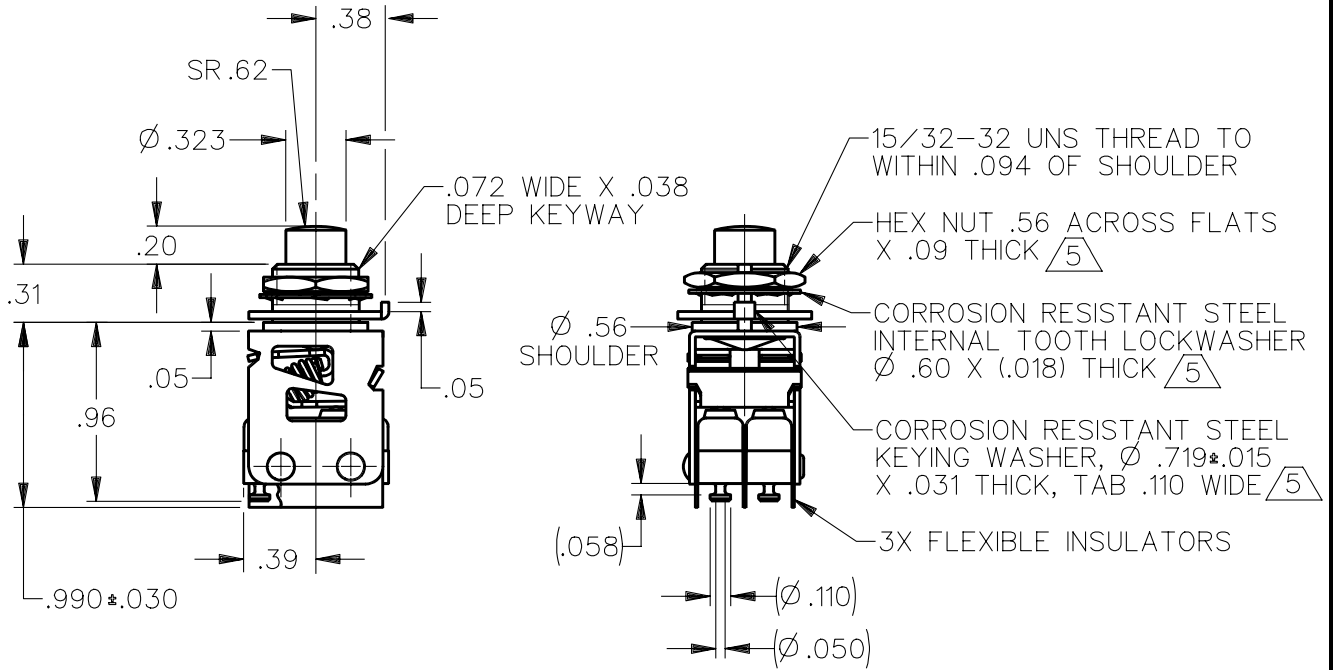
FED. MFG. CODE 91 929

ASSEMBLY—
PUSHBUTTON SWITCH

CATALOG LISTING

2PB453-T

CATALOG LISTING
2PB453-T
PAGE 1 OF 1
REPLACES
RELEASE NO. PR-20681
M
ISSUE
2



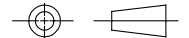
NOTES

- 1 - UNIT INCLUDES 2X "11SM" TYPE BASIC SWITCH
- 2 - SWITCHES DO NOT NECESSARILY OPERATE SIMULTANEOUSLY
- 3 - TERMINALS ARE GOLD PLATED
- 4 - BASIC SWITCHES HAVE 24K SOLID GOLD CONTACTS
- 5 MOUNTING HARDWARE FURNISHED UNASSEMBLED
- 6 - CORROSION RESISTANT STEEL PLUNGER, BUSHING AND BRACKET

ANSI Y14.5M-1982 APPLIES

THIS DRAWING COVERS A PROPRIETARY ITEM AND IS THE PROPERTY OF MICRO SWITCH, A DIVISION OF HONEYWELL. THIS DRAWING IS NOT TO BE COPIED OR USED WITHOUT THE APPROVAL OF MICRO SWITCH.

THIRD ANGLE PROJECTION



CHARACTERISTICS	ELECTRICAL DATA	SCALE FULL		DO NOT
				SCALE PRINT
OPERATING FORCE ———— 8-12 N	CONTACT ARRANGEMENT 2X S P D T	UNLESS OTHERWISE SPECIFIED TOLERANCES ARE		
TOTAL TRAVEL ——— 3.2 mm APPROX	30 VOLTS DC RATING INDUCTIVE-----SEA LEVEL-1/2 AMP 50,000 FT-1/2 AMP RESISTIVE-----SEA LEVEL----1 AMP 50,000 FT----1 AMP MAXIMUM INRUSH-----2 AMP	ONE PLACE (.0)	± .030	
PRETRAVEL ———— 1.2 mm MIN		TWO PLACE (.00)	± .015	
DIFFERENTIAL TRAVEL---- 1.27 mm MAX		THREE PLACE (.000)	± .005	
OVERTRAVEL ———— .8 mm MIN		ANGLES	±	
		WEIGHT		

REVISIONS
A CO-93593 P P F 03 NOV 98

DDM/CAD
DRAWN
M A M 13 OCT 93
CHECK
J A F 03 NOV 98
CHECK