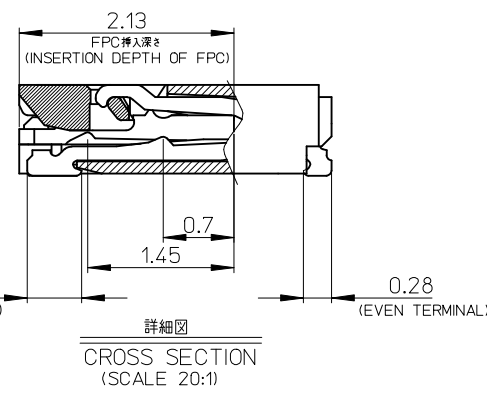


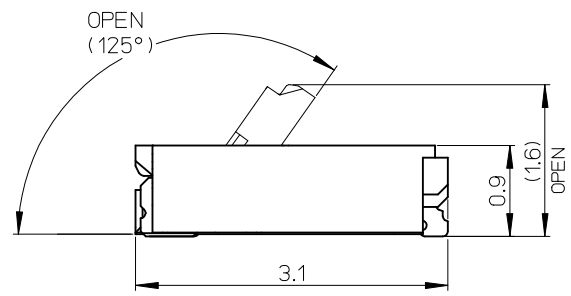
回路番号1
CIRCUIT NO.1



注記
NOTES:

1.材質
MATERIAL
ハウジング:LCP(液晶ポリマー)、ガラス充填、UL94V-0
HOUSING:LCP(LIQUID CRYSTAL POLYMER),
GLASS FILLED,UL94V-0
アクチュエータ:ナイロン、ガラス充填、UL94V-0
ACTUATOR:NYLON(POLYAMIDE),
GLASS FILLED,UL94V-0
ターミナル:銅合金(t=0.15)
TERMINAL:COPPER ALLOY(t=0.15)
金具:銅合金(t=0.15)
NAIL:COPPER ALLOY(t=0.15)

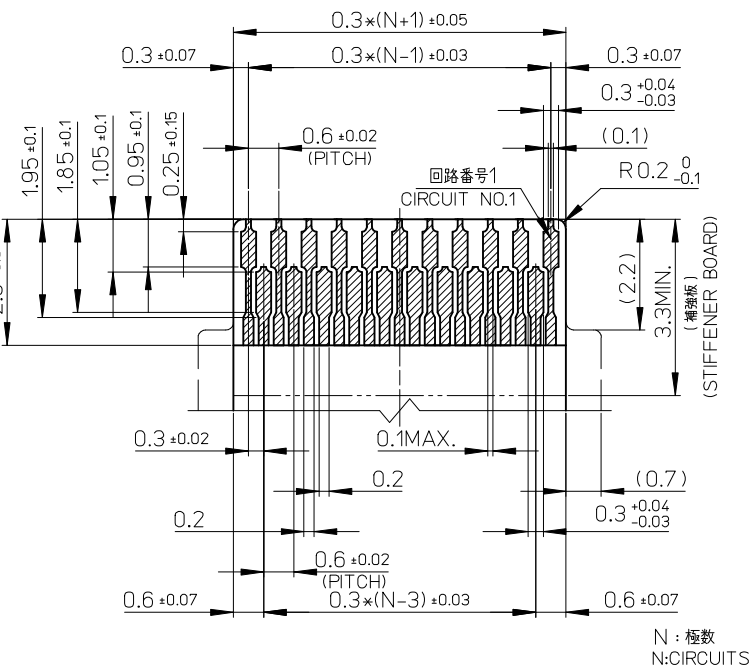
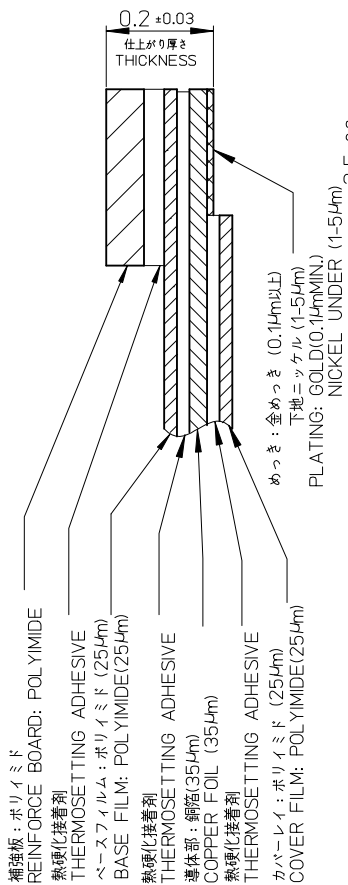
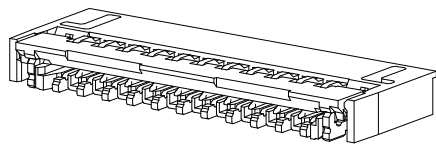
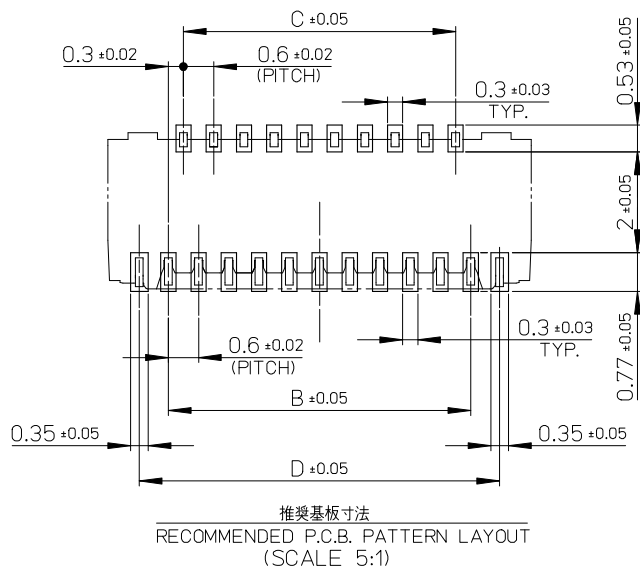
2.めっき仕様
PLATING
ターミナル
TERMINAL
部分金めっき
SEPARATED GOLD PLATING
下地ニッケルめっき
UNDER PLATING:NICKEL PLATING
金具
NAIL
錫めっき
TIN PLATING
下地ニッケルめっき
UNDER PLATING:NICKEL PLATING
3.平坦度は、0.1ミリ以下とする。
TAILS COPLANARITY TO BE 0.1 MAXIMUM.
4.ELV及びRoHS適合品
ELV AND RoHS COMPLIANT



0.1	16.15	14.4	15	17.4	501628-5181	51
0.089	14.35	12.6	13.2	15.6	501628-4581	45
0.078	12.55	10.8	11.4	13.8	501628-3981	39
0.075	11.95	10.2	10.8	13.2	501628-3781	37
0.071	11.35	9.6	10.2	12.6	501628-3581	35
0.067	10.75	9.0	9.6	12.0	501628-3381	33
0.064	10.15	8.4	9	11.4	501628-3181	31
0.056	8.95	7.2	7.8	10.2	501628-2781	27
0.046	7.15	5.4	6	8.4	501628-2181	21
0.028	4.15	2.4	3	5.4	501628-1181	11
重さ (g) WEIGHT(g)	D	C	B	A	EMBOSSED PACKAGE オーダー番号 ORDER No.	極数 CIRCUITS

CONNECTOR SERIES No. 501628-***12

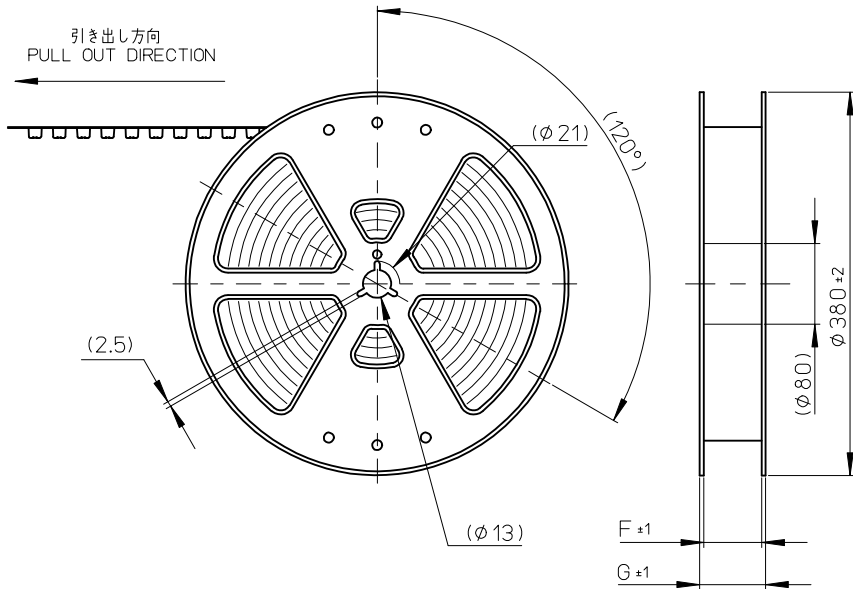
REVISED EC NO: J2010-0068 DRWN:KUSATO 2009/07/30 CHKD:HSHIROYAMA 2009/07/31 APPR:KMORIKAWA 2009/07/31 REV K	GENERAL TOLERANCES (UNLESS SPECIFIED)		DIMENSION STYLE MM ONLY		SCALE 40:1	DESIGN UNITS METRIC	THIRD ANGLE PROJECTION
	10 UNDER	±0.2	DRAWN BY HSHIROYAMA	DATE 2005/08/08	TITLE 0.3 FPC CONN. (H=0.9) HS'G ASSY BOTTOM CONTACT NICKEL BARRIER		
	10 OVER 30 UNDER	±0.25	CHECKED BY HIRATA	DATE 2005/08/08	MOLEX INCORPORATED		
	30 OVER	±0.3	APPROVED BY MSASAO	DATE 2005/08/08	MATERIAL NO. SEE TABLE	DOCUMENT NO. SD-501628-002	SHEET NO. 1 OF 2
	ANGULAR ±1 °	THIS DRAWING CONTAINS INFORMATION THAT IS PROPRIETARY TO MOLEX INCORPORATED AND SHOULD NOT BE USED WITHOUT WRITTEN PERMISSION					
	DRAFT WHERE APPLICABLE MUST REMAIN WITHIN DIMENSIONS						



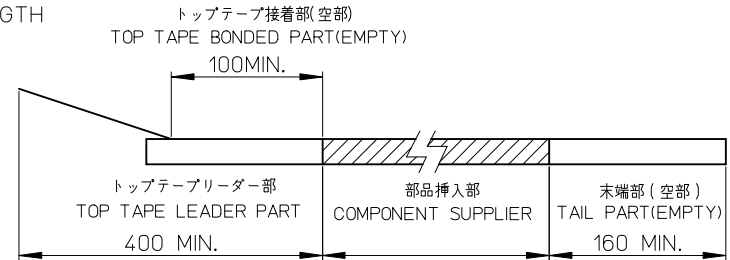
REVISED EC NO: J2010-0068 DRWN:KUSATO 2009/07/30 CHKD:HSHIROYAMA 2009/07/31 APPR:KMORIKAWA 2009/07/31 K	DESCRIPTION	GENERAL TOLERANCES (UNLESS SPECIFIED)		DIMENSION STYLE MM ONLY		SCALE ---	DESIGN UNITS METRIC	THIRD ANGLE PROJECTION	
		10 UNDER	\pm ---	DRAWN BY HSHIROYAMA	DATE 2005/08/08	TITLE 0.3 FPC CONN. (H=0.9) HS'G ASSY BOTTOM CONTACT NICKEL BARRIER		MOLEX INCORPORATED	
		10 OVER 30 UNDER	\pm ---	CHECKED BY HIRATA	DATE 2005/08/08	MOLEX INCORPORATED			
		30 OVER	\pm ---	APPROVED BY MSASAO	DATE 2005/08/08			SHEET NO. 2 OF 2	
ANGULAR \pm --- °		DRAFT WHERE APPLICABLE MUST REMAIN WITHIN DIMENSIONS		MATERIAL NO. SEE TABLE		SIZE A3			

注記)
NOTES

1. 製品番号501628-***12の詳細寸法は、製品単体図面を参照下さい。
IN THE PACKAGE PART NUMBER 501628-***12 DETAIL DIMENSIONS, SEE SALES DRAWING FOR CONNECTOR.
2. 梱包数量: 3000個/リール
NUMBER OF CONNECTORS : 3000 PCS/REEL
3. リードテープ長さ
LEAD TAPE LENGTH

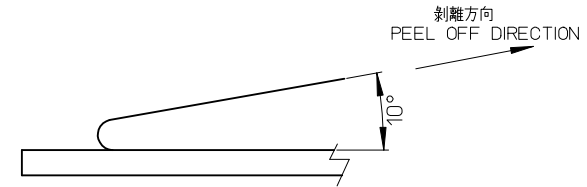


引き出し方向
PULL OUT DIRECTION



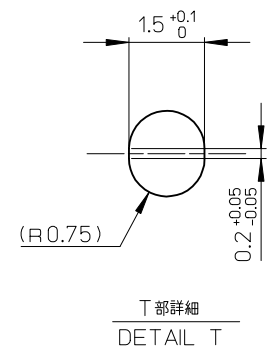
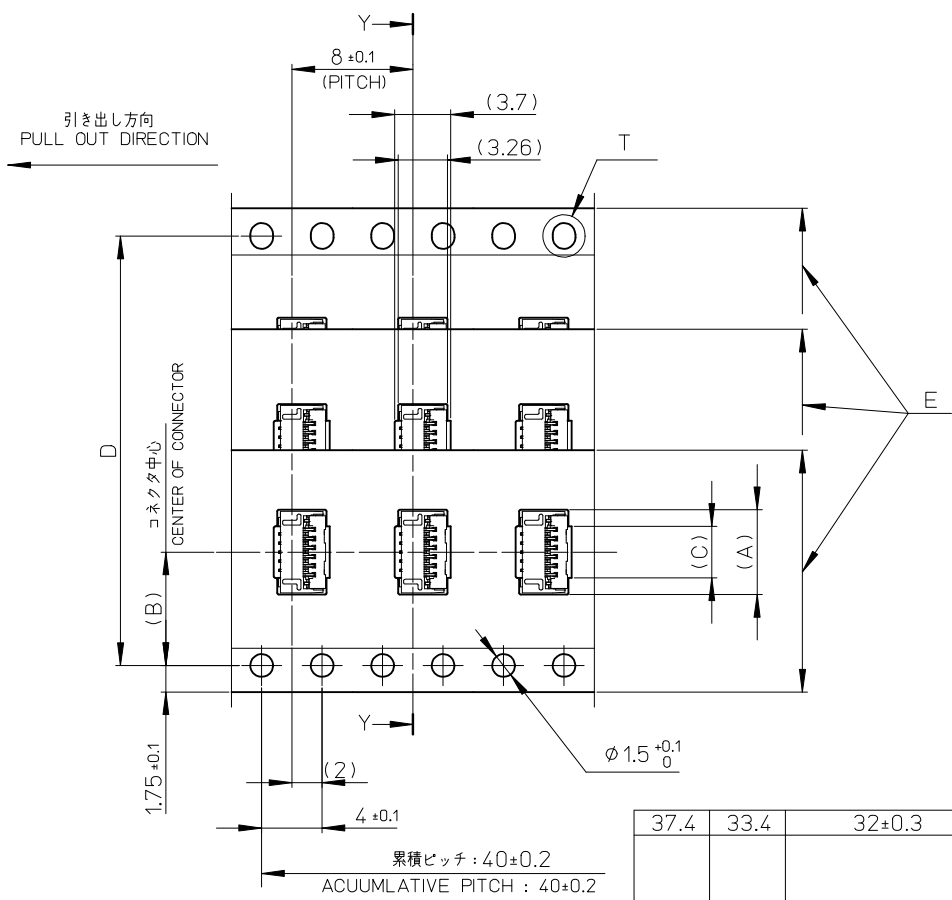
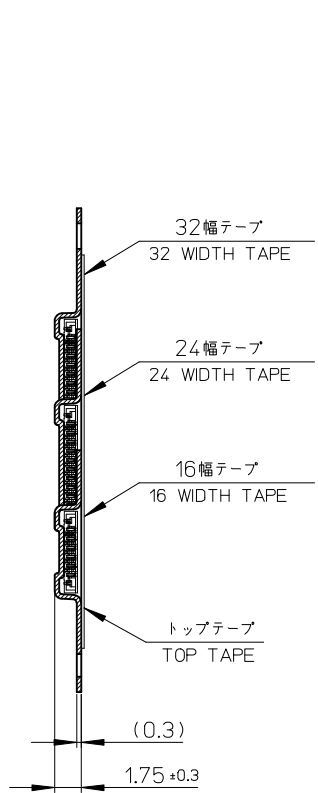
4. トップテープの剥離強度 (剥離方向は下図参照)
PEELING OFF FORCE OF TOP TAPE (PEELING DIRECTION AS SHOWN IN FOLLOWING FIGURE)
0.1-1.3N (10-130gf)
尚、本規格値は出荷時に適用。
THIS REQUIREMENT SHOULD BE APPLIED AT SHIPMENT.
(但し、輸送時に剥離が発生しないこと)
(PEEL OFF SHOULD NOT BE ALLOWED, DURING TRANSPORTION.)

引き出し方向
PULL OUT DIRECTION



5. 材料
MATERIAL
キャリアテープ: ポリスチレン (PS)
CARRIER TAPE: POLYSTYRENE (PS)
トップテープ: PET, PE, PEF
TOP TAPE : PET, PE, PEF
リール: ポリスチレン
REEL: POLYSTYRENE
6. ELV及びRoHS適合品
ELV AND RoHS COMPLIANT

REVISED EC NO: J2010-0068 DRWN: KUSATO 2009/07/30 CHKD: HSHIMUYAMA 2009/07/31 APP: KMORIKAWA 2009/07/31	DESCRIPTION REV	GENERAL TOLERANCES (UNLESS SPECIFIED)		DIMENSION STYLE MM ONLY		SCALE ---	DESIGN UNITS METRIC	THIRD ANGLE PROJECTION		
		10 UNDER	± ---	DRAWN BY HSHIMUYAMA	DATE 2005/08/22	TITLE 0.3 FPC CONN.(FOR 501628-***12) TAPING PACKAGE NICKEL BARRIER				
		10 OVER 30 UNDER	± ---	CHECKED BY HIRATA	DATE 2005/08/22	MOLEX INCORPORATED				
		30 OVER	± ---	APPROVED BY MSASAO	DATE 2005/08/22	DOCUMENT NO. SD-501628-004				
ANGULAR ± --- °		DRAFT WHERE APPLICABLE MUST REMAIN WITHIN DIMENSIONS		MATERIAL NO. SEE TABLE		SHEET NO. 1 OF 2				
SIZE A3 THIS DRAWING CONTAINS INFORMATION THAT IS PROPRIETARY TO MOLEX INCORPORATED AND SHOULD NOT BE USED WITHOUT WRITTEN PERMISSION										



37.4	33.4	32±0.3	28.4	15.4	14.2	17.6	501628-5181	51	
29.4	25.4	24±0.3	---	13.6	11.5	15.8	501628-4581	45	
				11.8		14	501628-3981	39	
				11.2		13.4	501628-3781	37	
				10.6		12.8	501628-3581	35	
				10.0		12.2	501628-2181	33	
				9.4		11.6	501628-2181	31	
21.4	17.4	16±0.3	---	8.2	7.5	10.4	501628-2181	27	
				6.4		8.6	501628-2181	21	
				3.4		5.6	501628-1181	11	
G	F	E キャリアテープ幅 EMBOSSED TAPE WIDTH		D	C	B	A	製品番号 MATERIAL NO.	極数 CIRCUITS

REVISED EC NO: J2010-0068 DRWKUSATO 2009/07/30 CHKD:HSIMYOYAMA 2009/07/31 APPR:KMORIKAWA 2009/07/31	GENERAL TOLERANCES (UNLESS SPECIFIED)		DIMENSION STYLE MM ONLY		SCALE ---	DESIGN UNITS METRIC	THIRD ANGLE PROJECTION	
	10 UNDER	± ---	DRAWN BY HSHIMYOYAMA	DATE 2005/08/22	TITLE 0.3 FPC CONN.(FOR 501628 -**12) TAPING PACKAGE NICKEL BARRIER			
	10 OVER 30 UNDER	± ---	CHECKED BY HHIRATA	DATE 2005/08/22	MOLEX INCORPORATED			
	30 OVER	± ---	APPROVED BY MSASAO	DATE 2005/08/22	MATERIAL NO. SEE TABLE		DOCUMENT NO. SD-501628-004	SHEET NO. 2 OF 2
REV	DESCRIPTION	ANGULAR ± --- °	DRAFT WHERE APPLICABLE MUST REMAIN WITHIN DIMENSIONS		THIS DRAWING CONTAINS INFORMATION THAT IS PROPRIETARY TO MOLEX INCORPORATED AND SHOULD NOT BE USED WITHOUT WRITTEN PERMISSION			