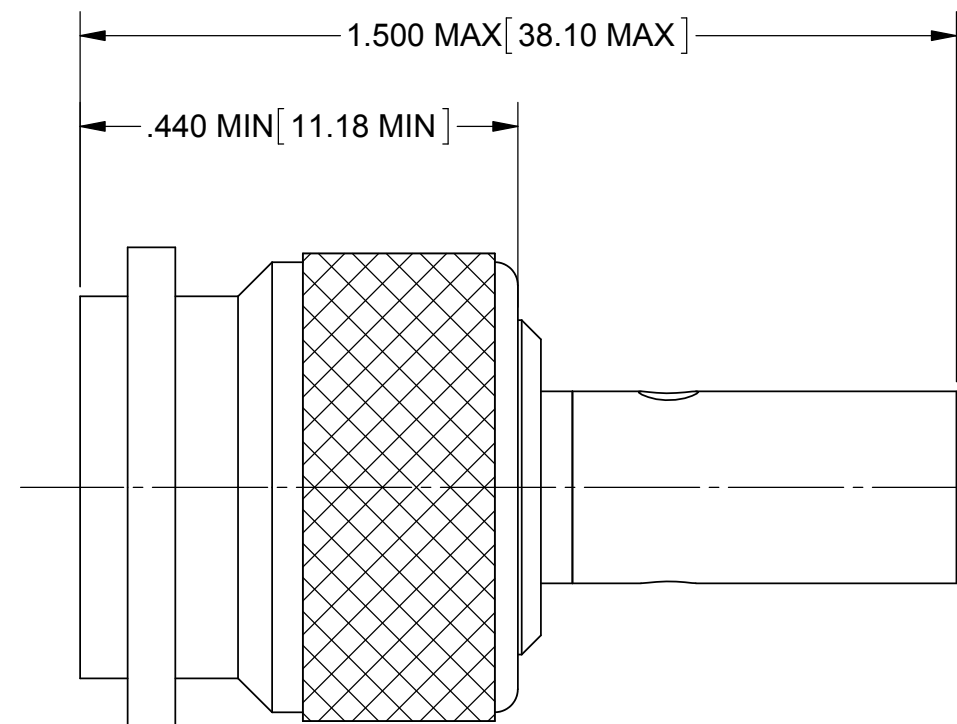
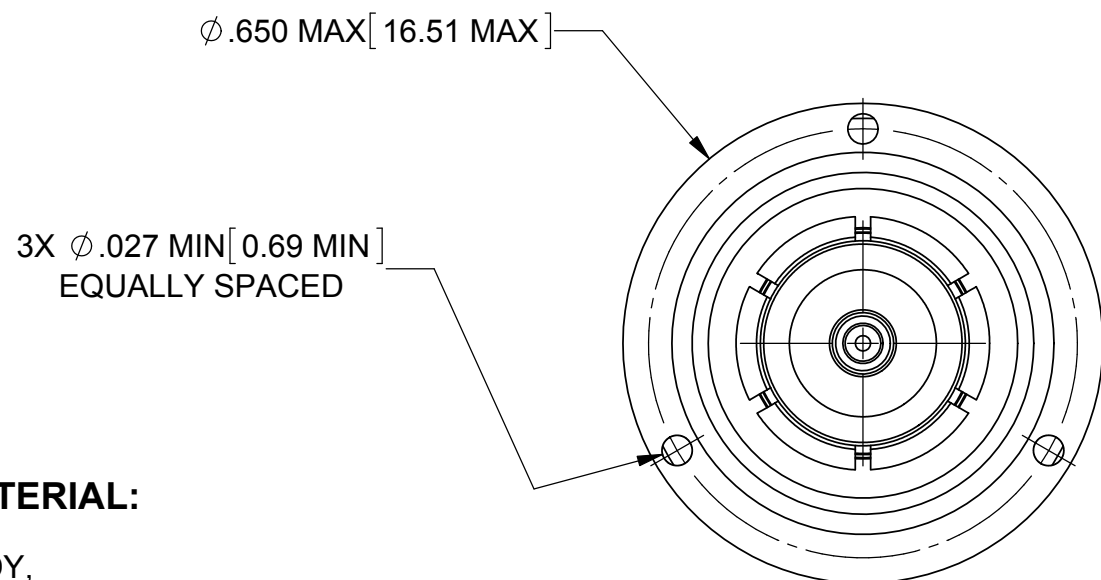


PRODUCT DATA DRAWING

REVISION HISTORY			
REV	DESCRIPTION	DATE	APPROVED
-	DCN 40089	09/13	STW



MATERIAL:

BODY,
CENTER CONTACT,
COUPLING NUT &
CRIMP SLEEVE:

BRASS PER ASTM B16, ALLOY UNS No. C36000

OUTER
CONTACT:

BERYLLIUM COPPER PER ASTM B194,
ALLOY No. UNS C17200

INSULATOR:

PTFE PER ASTM D1710, TYPE I, GRADE 1, CLASS B

GASKET:

SILICONE RUBBER PER A-A-59588,
CLASS 2B, GRADE 50/60

LOCK RING:

PHOSPHOR BRONZE PER ASTM B-159

FINISH:

BODY,
OUTER CONTACT,
COUPLING NUT &
CRIMP SLEEVE:

SILVER PER ASTM B700, .0002" MIN.

CONTACT:

GOLD PER ASTM B488, TYPE II,
CODE C, CLASS 1.27, OVER NICKEL
PER AMS-QQ-N-290, CLASS 1, .00005" MIN.

PERFORMANCE:

IMPEDANCE: 50 OHMS
FREQ. RANGE: DC TO 11.0 GHz
VSWR: 1.30:1 MAX

MATERIAL: SEE NOTES	DIMENSIONS ARE IN INCHES TOLERANCES: FRACTIONAL: $\pm 1/64$ ANGULAR: X° $\pm 1'0''$ X°X' $\pm 15''$	UNLESS OTHERWISE SPECIFIED 1) ALL DIMENSIONS ARE IN INCHES (MILLIMETERS) 2) ALL DIMENSIONS ARE AFTER PLATING. 3) BREAK CORNERS & EDGES .005 R. MAX. 4) CHAM. 1ST & LAST THREADS. 5) SURFACE ROUGHNESS 63-MIL-STD-10. 6) DIA.'S ON COMMON CENTERS TO BE CONCENTRIC WITHIN .005 T.I.R. 7) REMOVE ALL BURRS	SV Microwave, Inc. 2400 Centrepark West Drive, Suite 100 West Palm Beach, FL 33409
FINISH: SEE NOTES	DECIMAL: X $\pm .030$.XX $\pm .010$.XXX $\pm .005$	INTERPRET DIMENSIONS AND TOLERANCES PER ASME Y14.5M - 1994	TITLE: TNC PLUG CRIMP ON FOR RG-142 AND RG-400 CABLE
SURFACE AREA: N/A	THIRD ANGLE PROJECTION	DRAWN: FSG 09/26/13	SIZE: B CAGE CODE: 95077 DWG. NO. M39012/26B0006
PROPRIETARY THE INFORMATION CONTAINED IN THIS DRAWING IS THE SOLE PROPERTY OF SV MICROWAVE, INC. ANY REPRODUCTION IN PART OR AS A WHOLE WITHOUT THE WRITTEN PERMISSION OF SV MICROWAVE, INC IS PROHIBITED.		CHECKED: STW 09/26/13	SCALE: 4:1
		APPROVED: STW 09/26/13	SHEET 1 OF 1