

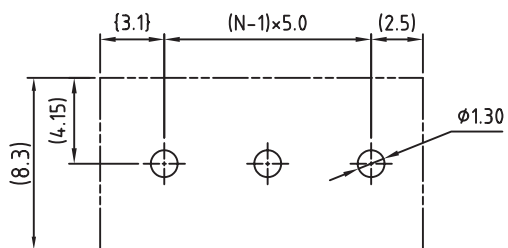
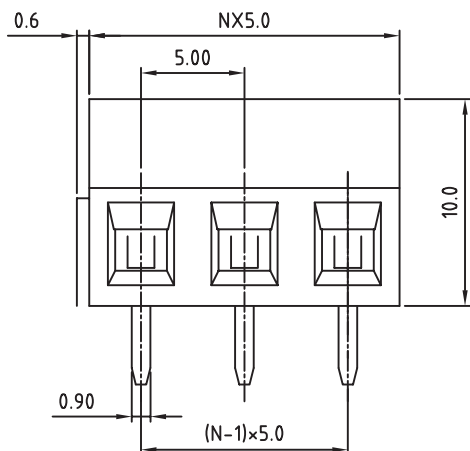
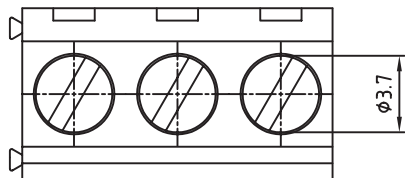
1

2

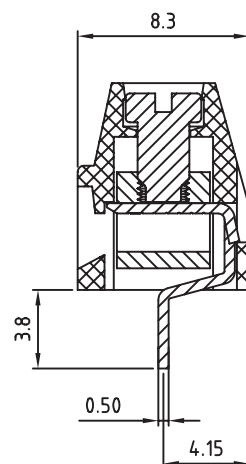
3

4

5



PCB LAYOUT - COMPONENT VIEW



TECHNICAL CHARACTERISTICS

MATERIAL

INSULATOR: PA 66
 FLAMABILITY RATING: UL94-V0
 COLOR: GREEN
 METAL HOUSING: BRASS (CuZn)
 TERMINAL SCREW: STEEL ZINC PLATING "-" SLOT TYPE
 CONTACTS: BRASS
 SOLDER TAIL PLATING: TIN

ENVIRONMENTAL

OPERATING TEMPERATURE: -40 UP TO 105°C
 COMPLIANCE: LEAD FREE AND ROHS

ELECTRICAL

	UL	VDE
CURRENT RATING:	10A	10A
WORKING VOLTAGE:	300VAC	250VAC
WITHSTANDING VOLTAGE:	1.6KV	2.0KV
CONTACT RESISTANCE:	20 mOhm MAX	

MECHANICAL

SOLID WIRE: 26-16 AWG / 0.13-1.5MM²
 STRANDED WIRE: 26-16 AWG / 0.13-1.5MM²
 TORQUE : 3.5Lb.In - 0.4Nm

WIRE STRIPE LENGTH: 5-6MM
 SCREW: M2.5
 PITCH: 5.0MM

SOLDERING: WAVE PROCESS ONLY

PACKAGING: BOX

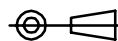
SERIE 213

CERTIFICATION



RoHS Compliant

PROJECTION:



GENERAL TOLERANCE

.X = +/- 0.2

.XX = +/- 0.15



APPROVAL: RJ

UNIT: MM

SCALE:

SHEET: 1/1

DRAW: MARVIN

DESCRIPTION: SERIE 213 - 5.0MM HORIZONTAL ENTRY MODULAR
 WITH RISING CAGE CLAMP - 1.5MM² WIRES WR-TBL

WERI PART NO: 691 213 710 0xx

SIZE

A4

G			
F			
E			
D			
C			
B	30-OCT-08	CHARACTERISTICS	JP
A	30-OCT-07	PDF	EC
REV	DATE	FILE	BY