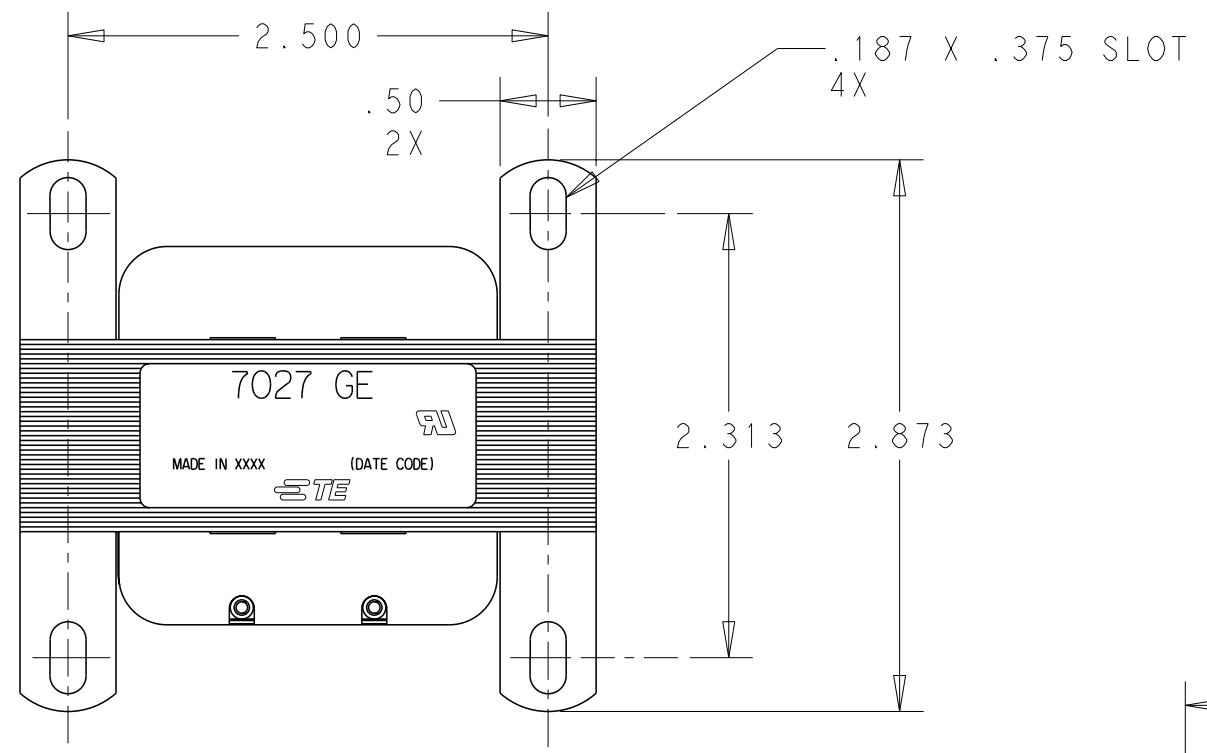
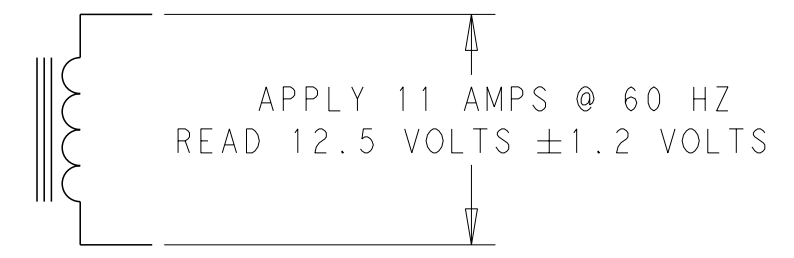


THIS DRAWING IS UNPUBLISHED. RELEASED FOR PUBLICATION 20  
 © COPYRIGHT 20 BY - ALL RIGHTS RESERVED.

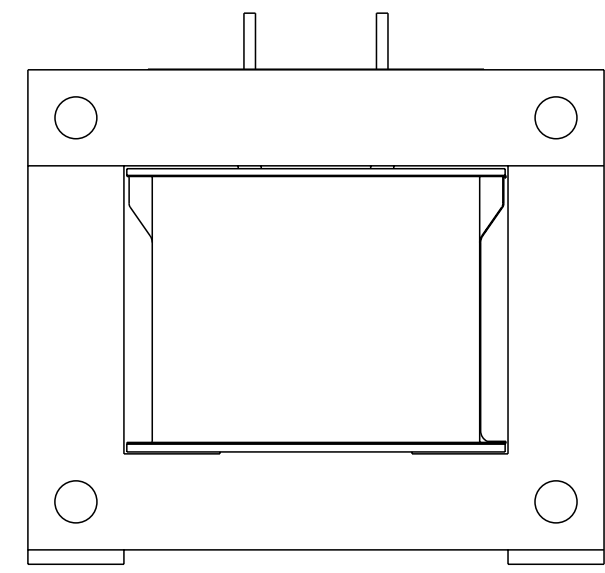
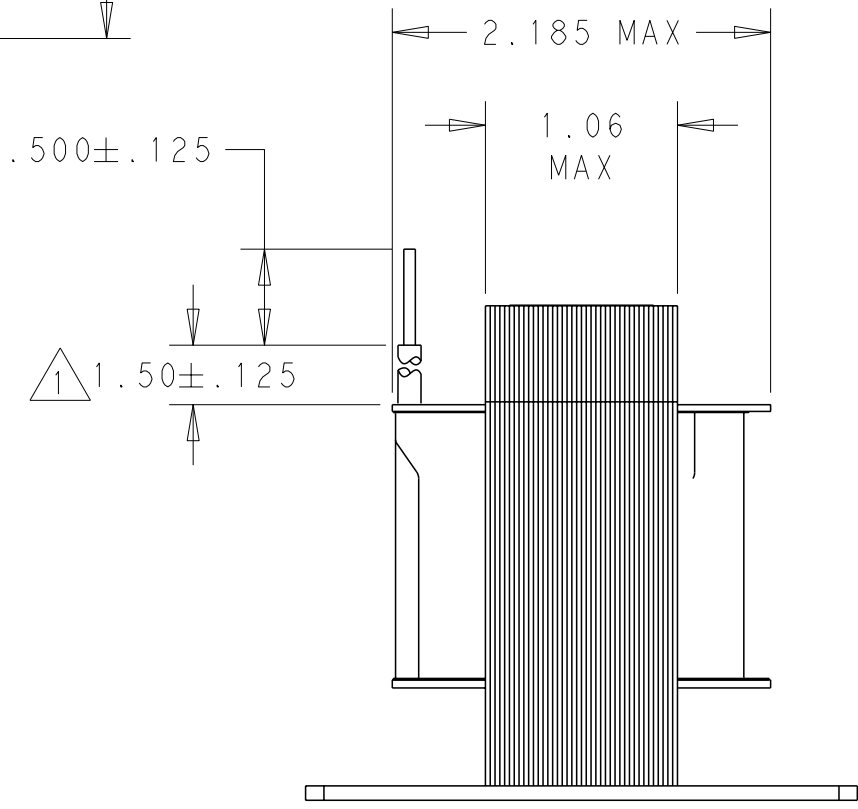
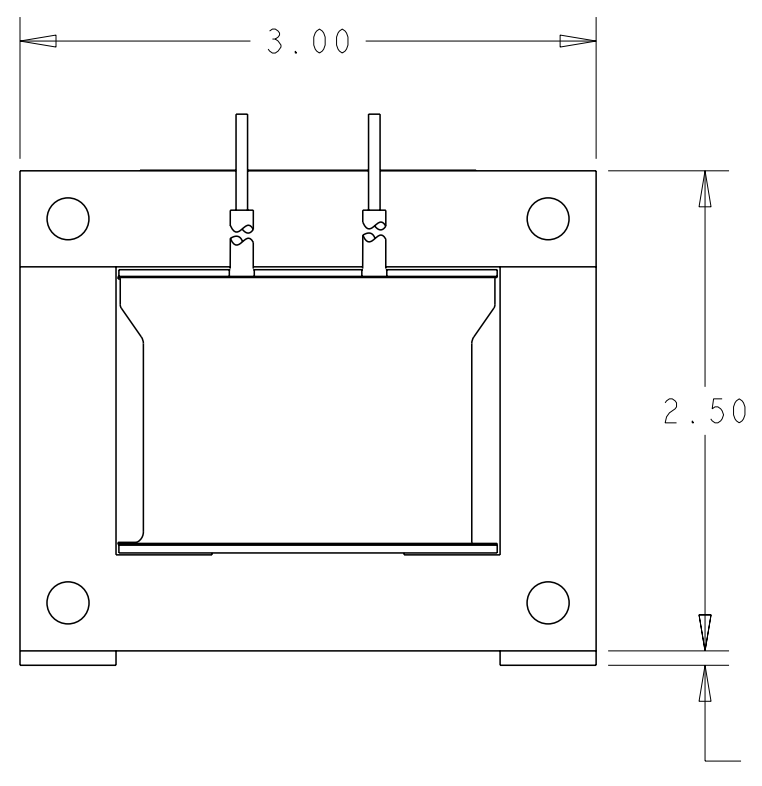
REVISIONS				
P	LTR	DESCRIPTION	DATE	APVD
B		ECR-13-010448	09DEC2013	VS DB



- 1 SLEEVING PVC HT-105, BLACK OR CLEAR.
- 2. CERTIFICATION: UL FILE NO. E102980



SCHEMATIC



2-1672104-9  
TE PART NO.

THIS DRAWING IS A CONTROLLED DOCUMENT.		DWN VIC SLACK 09DEC2013	TE Connectivity													
DIMENSIONS: INCHES		CHK D. BLOESCH 09DEC2013														
TOLERANCES UNLESS OTHERWISE SPECIFIED:		APVD D. BLOESCH 09DEC2013	NAME TRANSFORMER OUTLINE													
<table border="0"> <tr> <td>0 PLC</td> <td>±-</td> </tr> <tr> <td>1 PLC</td> <td>±.1</td> </tr> <tr> <td>2 PLC</td> <td>±.03</td> </tr> <tr> <td>3 PLC</td> <td>±.015</td> </tr> <tr> <td>4 PLC</td> <td>±-</td> </tr> <tr> <td>ANGLES</td> <td>±-</td> </tr> </table>		0 PLC	±-	1 PLC	±.1	2 PLC	±.03	3 PLC	±.015	4 PLC	±-	ANGLES	±-	PRODUCT SPEC -	RESTRICTED TO -	
0 PLC	±-															
1 PLC	±.1															
2 PLC	±.03															
3 PLC	±.015															
4 PLC	±-															
ANGLES	±-															
MATERIAL -		APPLICATION SPEC -	SIZE A300779	CAGE CODE C-7027GE												
FINISH -		WEIGHT -	Customer Drawing													
		SCALE 1:1	SHEET 1 OF 1	REV B												