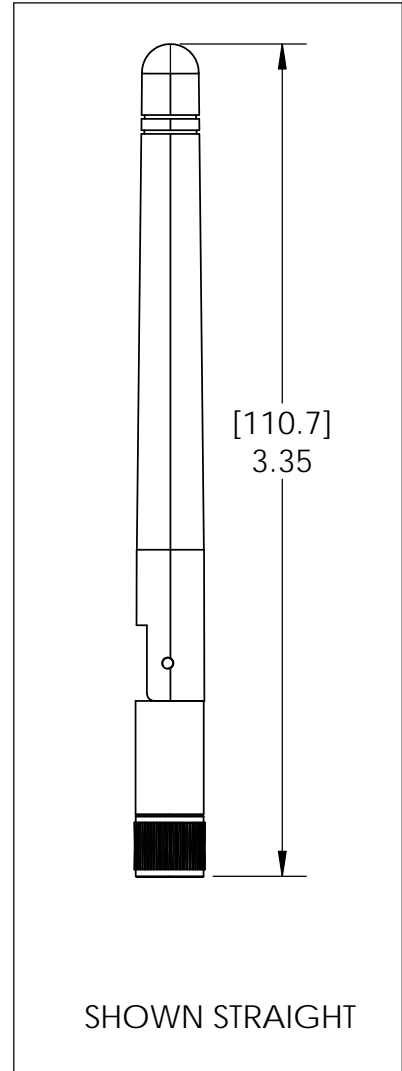
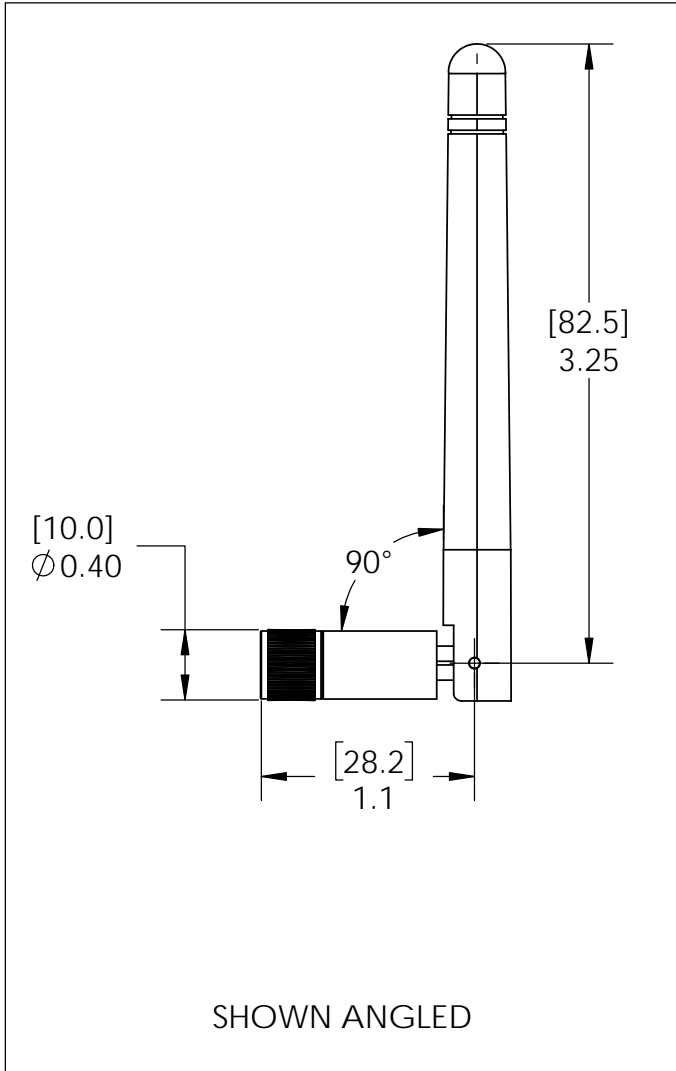


REVISIONS

ZONE	REV.	CHANGE DESCRIPTION	APPROVED	DATE
ALL	A000	CREATE	EMJ	12/1/16



PULSE W1030

<p>THIRD ANGLE PROJECTION</p>	COMMENTS:	SYNAPSE WIRELESS INC. 6723 ODYSSEY DR HUNTSVILLE, AL 35806
	<p>UNLESS OTHERWISE SPECIFIED: DIMENSIONS ARE IN INCHES [MM] TOLERANCES: ANGULAR: MACH ±1° BEND ±3° TWO PLACE DECIMAL ±.01 THREE PLACE DECIMAL ±.005</p>	
<p>PROPRIETARY AND CONFIDENTIAL THE INFORMATION CONTAINED IN THIS DRAWING IS THE SOLE PROPERTY OF SYNAPSE WIRELESS, INC. ANY REPRODUCTION IN PART OR AS A WHOLE WITHOUT THE WRITTEN PERMISSION OF SYNAPSE WIRELESS, INC IS PROHIBITED.</p>	MATERIAL	TITLE: INDOOR ARTICULATING ANTENNA, 2.0 DBI GAIN, ANT-IAB-2.0-1
	FINISH	SIZE DWG. NO. REV
	DO NOT SCALE DRAWING	<p>A 120-035091-000 A000</p>
ENGR: EMJ		SHEET 1 OF 1