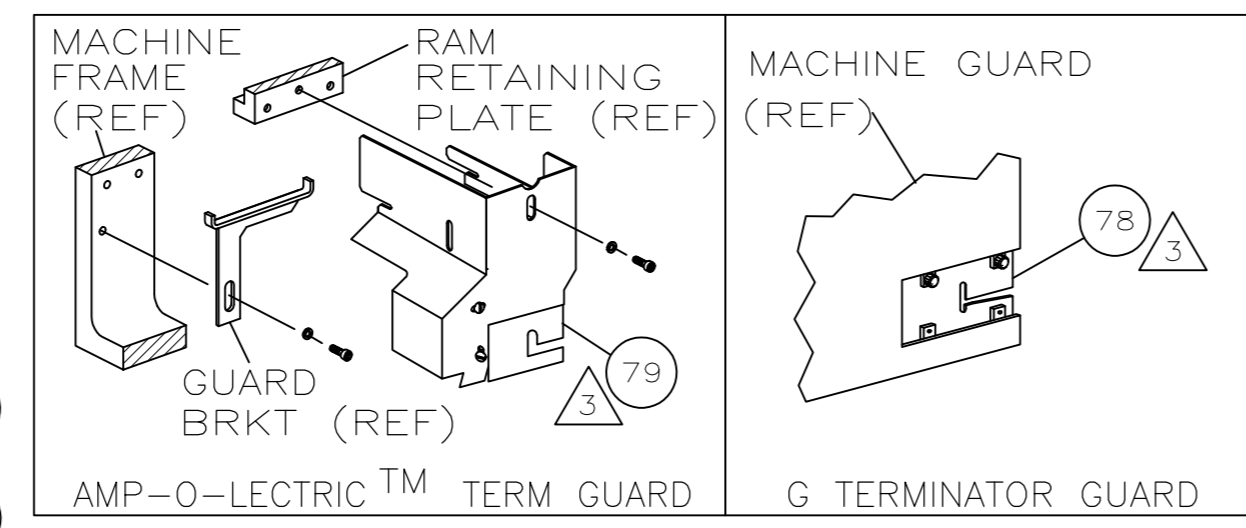


THIS DRAWING IS UNPUBLISHED. RELEASED FOR PUBLICATION. ALL RIGHTS RESERVED.

PART NUMBER	REV	FIRST USED
1385025-1	E	854400-1
1385025-2	E	565435-5
1385025-3	E	354500-1
7-1385025-7	E	-

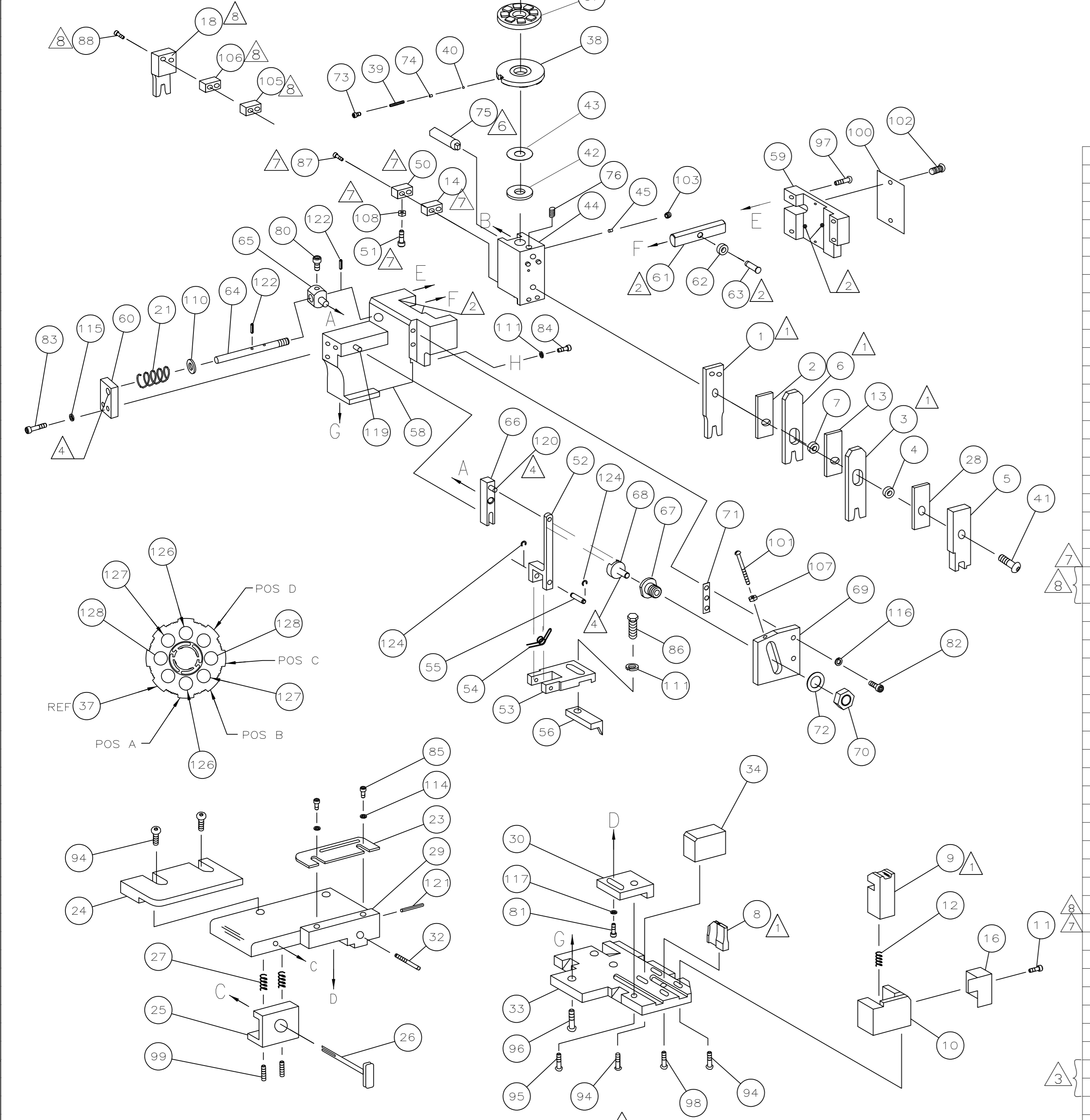


TERMINAL NAME: Ø.140 SOCKET & PIN

CRIMPING DATA					
PAD LTR	CRIMP HEIGHT	WIRE SIZE			
A	.056 ±.002 [1.42 ±0.05mm]	1.00mm ²			
B	.052 ±.002 [1.33 ±0.05mm]	.75mm ²			
C	.049 ±.002 [1.24 ±0.05mm]	.50mm ²			
D	NOT	USED			
CRIMP	SIZE	TYPE	RANGE		
WIRE	.080 [2.03mm]	F	.50-1.00mm ²		
INSUL	.110 [2.79mm]	OVL	Ø1.20-2.40mm		
WIRE STRIP LENGTH	TERM APPL SPEC	FEED	APPL INST	SET UP GAGE	LAYOUT
.234-.250	114-1007	.590	408-8040	458637-1	L2338

LOC	DIST	REVISIONS			
F	LTR	DESCRIPTION	DATE	DNW	APVD
A	66	ECR-09-014162	6-2007	MY	TE

-1	LEADMAKER	MECH POST FEED
-2	BENCH MODEL K	MECH PRE FEED
-3	BENCH MODEL G	MECH PRE FEED
-77	-	SPARE PARTS KIT



QTY	REQD	PER	ASSY	PART NO	DESCRIPTION	ITEM NO	
-	2	2	2	-	2-354779-6	PIN, WIRE DISC (.3120)C	129
-	2	2	2	-	2-354779-0	PIN, WIRE DISC (.3090)B	128
-	2	2	2	-	1-354779-1	PIN, WIRE DISC (.3045)A	126
-	1	1	1	-	986950-1	WASHER, FLAT PRECISION	125
-	REF	REF	REF	-	21045-3	RING,RET "C"(Ø.187)FD FING PIN	124
-	REF	REF	REF	-	-	-	123
-	REF	REF	REF	-	5-21028-1	PIN,SLT SPR(Ø.125x.50)ADJ ROD	122
-	1	1	1	-	4-21028-0	PIN,SLT SPR(Ø.093x.75)ST GDE PL	121
-	REF	REF	REF	-	1-21030-1	PIN,DOWEL(Ø.187x.50)LEVER	120
-	REF	REF	REF	-	1-21030-6	PIN,DOWEL(Ø.187x1.25)HOUSING	119
-	REF	REF	REF	-	-	-	118
-	1	1	1	-	21024-5	WASHER, LOCK(#10)ADJ BLOCK	117
-	REF	REF	REF	-	21024-5	WASHER,LOCK(#10)ADJ PLATE	116
-	REF	REF	REF	-	21024-5	WASHER,LOCK(#10)FEED GDE ROD	115
-	2	2	2	-	21024-2	WASHER,LOCK(#4)FRONT STP GUIDE	114
-	REF	REF	REF	-	-	-	113
-	REF	REF	REF	-	21899-4	WASHER,FLAT(Ø5/16)SCREW ADJ	110
-	REF	REF	REF	-	-	-	109
-	1	1	1	-	21018-5	NUT,HEX (6-32)	108
-	REF	REF	REF	-	21018-5	NUT,HEX(6-32)FEED ADJ	107
-	1	1	1	-	4-240641-0	SPACER	106
-	1	1	1	-	2-240641-1	SPACER	105
-	REF	REF	REF	-	-	-	104
-	1	1	1	-	21009-2	SCR,SKT SET(1/4-20x.25 LW)RAM	103
-	2	2	2	-	21017-2	SCR,DRIVE(#2x.19)ID PLATE	102
-	REF	REF	REF	-	6-23715-5	SCR,PAN HD(6-32x1.50)FEED ADJ	101
-	1	1	1	-	461264-1	PLATE, IDENTIFICATION	100
-	2	2	2	-	5-21006-6	SCR,SET(10-32x.75)DRAG	99
-	1	1	1	-	22733-8	SCR,BHC(8-32x.38 LW)ANVIL	98
-	REF	REF	REF	-	2-21002-9	SCR,BHC(10-32x.75)CAP	97
-	REF	REF	REF	-	2-22733-8	SCR,BHC(1/4-20x.62)HOUSING	96
-	REF	REF	REF	-	2-21002-7	SCR,BHC(10-32x.50)SG ADJ BLOCK	95
-	4	4	4	-	2-21002-2	HOLDER, INSULATION	94
-	REF	REF	REF	-	-	-	93
-	1	1	1	-	1-21002-7	SCR,BHC(6-32x.38)CAM	91
-	REF	REF	REF	-	-	-	90
-	2	2	2	-	3-21000-0	SCR,SHC(8-32x.88)	88
-	2	2	2	-	2-21000-8	SCR,SHC(8-32x.62)	87
-	1	1	1	-	2-22603-0	SCR,HEX HD(8-32x.31)FEED FINGER	86
-	2	2	2	-	1-21000-3	SCR,SHC(4-40x.25)F ST GUIDE	85
-	1	1	1	-	2-21000-7	SCR,SHC(8-32x.50)STRIPPER	84
-	REF	REF	REF	-	3-21000-7	SCR,SHC(10-32x.75)FEED ROD GD	83
-	REF	REF	REF	-	3-21000-6	SCR,SHC(10-32x.62)FD ADJ BLK	82
-	1	1	1	-	3-21000-4	SCR,SHC(10-32x.38)SG ADJ BL	81
-	REF	REF	REF	-	3-21000-4	SCR,SHC(10-32x.38)PIVOT BLK	80
-	REF	REF	REF	-	455749-1	GUARD, WINDOW	79
-	REF	REF	REF	-	679532-1	INSERT, GUARD	78
-	REF	REF	REF	-	-	-	77
-	1	1	1	-	22859-7	PLUNGER, SPRING	76
-	1	1	1	-	1-453412-6	SHAFT, STABILIZER	75
-	1	1	1	-	690603-1	SPRING, ASSIST	74
-	1	1	1	-	23030-1	SCR,SHC(6-32x.25 SL)INS DISC	73
-	REF	REF	REF	-	458109-1	WASHER, SPECIAL	72
-	REF	REF	REF	-	690517-1	SPACER	71
-	-	-	-	U/M	-	-	70
-	-	-	-	U/M	-	-	69
-	-	-	-	U/M	-	-	68
-	-	-	-	U/M	-	-	67
-	-	-	-	U/M	-	-	66
-	-	-	-	U/M	-	-	65
-	-	-	-	U/M	-	-	64
-	-	-	-	U/M	-	-	63
-	-	-	-	U/M	-	-	62
-	-	-	-	U/M	-	-	61
-	-	-	-	U/M	-	-	60
-	-	-	-	U/M	-	-	59
-	-	-	-	U/M	-	-	58
-	-	-	-	U/M	-	-	57
-	-	-	-	U/M	-	-	56
-	-	-	-	U/M	-	-	55
-	-	-	-	U/M	-	-	54
-	-	-	-	U/M	-	-	53
-	-	-	-	U/M	-	-	52
-	-	-	-	U/M	-	-	51
-	-	-	-	U/M	-	-	50
-	-	-	-	U/M	-	-	49
-	-	-	-	U/M	-	-	48
-	-	-	-	U/M	-	-	47
-	-	-	-	U/M	-	-	46
-	-	-	-	U/M	-	-	45
-	-	-	-	U/M	-	-	44
-	-	-	-	U/M	-	-	43
-	-	-	-	U/M	-	-	42
-	-	-	-	U/M	-	-	41
-	-	-	-	U/M	-	-	40
-	-	-	-	U/M	-	-	39
-	-	-	-	U/M	-	-	38
-	-	-	-	U/M	-	-	37
-	-	-	-	U/M	-	-	36
-	-	-	-	U/M	-	-	35
-	-	-	-	U/M	-	-	34
-	-	-	-	U/M	-	-	33
-	-	-	-	U/M	-	-	32
-	-	-	-	U/M	-	-	31
-	-	-	-	U/M	-	-	30
-	-	-	-	U/M	-	-	29
-	-	-	-	U/M	-	-	28
-	-	-	-	U/M	-	-	27
-	-	-	-	U/M	-	-	26
-	-	-	-	U/M	-	-	25
-	-	-	-	U/M	-	-	24
-	-	-	-	U/M	-	-	23
-	-	-	-	U/M	-	-	22
-	-	-	-	U/M	-	-	21
-	-	-	-	U/M	-	-	20
-	-	-	-	U/M	-	-	19
-	-	-	-	U/M	-	-	18
-	-	-	-	U/M	-	-	17
-	-	-	-	U/M	-	-	16
-	-	-	-	U/M	-	-	15
-	-	-	-	U/M	-	-	14
-	-	-	-	U/M	-	-	13
-	-	-	-	U/M	-	-	12
-	-	-	-	U/M	-	-	11
-	-	-	-	U/M	-	-	10
-	-	-	-	U/M	-	-	9
-	-	-	-	U/M	-	-	8
-	-	-	-	U/M	-	-	7
-	-	-	-	U/M	-	-	6
-	-	-	-	U/M	-	-	5
-	-	-	-	U/M	-	-	4
-	-	-	-	U/M	-	-	3
-	-	-	-	U/M	-	-	2
-	-	-	-	U/M	-	-	1

QTY	REQD	PER	ASSY	PART NO	DESCRIPTION	ITEM NO	
-	-	-	-	-	22594-8	NUT,HEX(1/2-20)	70
-	REF	REF	REF	-	240628-1	PLATE, ADJUSTMENT	69
-	REF	REF	REF	-	240626-1	SHAFT, PIVOT	68
-	REF	REF	REF	-	240633-1	BUSHING	67
-	REF	REF	REF	-	455680-1	LEVER, INTERMEDIATE	66
-	REF	REF	REF	-	240629-1	BLOCK, PIVOT	65
-	REF	REF	REF	-	240632-2	SCREW, ADJ FEED ROD	64
-	REF	REF	REF	-	240659-3	PIN, CAM ROLLER	63
-	REF	REF	REF	-	240658-1	ROLLER, CAM	62
-	REF	REF	REF	-	454398-2	ROD, FEED	61
-	REF	REF	REF	-	454178-1	GUIDE, FEED ROD	60
-	REF	REF	REF	-	454220-1	CAP, RAM	59
-	REF	REF	REF	-	454485-1	HOUSING	58
-	REF	REF	REF	-	-	-	57
-	1	1	1	-	458537-2	PAWL, FEED	56
-	REF	REF	REF	-	240624-1	PIN, FEED FINGER	55
-	REF	REF	REF	-	691499-1	SPRING, FEED FINGER	54
-	REF	REF	REF	-	690541-1	HOLDER, FEED FINGER	53
-	REF	REF	REF	-	455679-2	LEVER, TERMINAL FEED ARM	52
-	1	1	1	-	811242-2	BUMPER, HOLDDOWN	51
-	1	1	1	-	690753-1	SPACER, TONKER	50
-	1	-	-	-	690602-6	CAM, PRE-FEED 1 5/8 ST	49
-	-	1	-	-	690602-5	CAM, PRE-FEED 1 1/8 ST	48
-	-	-	1	-	690501-4	CAM, POST-FEED 1 5/8 ST	47
-	1	1	1	-	459456-2	APPLICATOR, BASIC (SUBASSY)	46
-	1	1	1	-	690191-1	PLUG, NYLON	45
-	1	1	1	-	817855-4	RAM	44
-	1	1	1	-	690125-1	WASHER, LAMINATED	43
-	1	1	1	-	690124-1	WASHER, RAM	42
-	1	1	1	-	690686-1	BOLT, CRIMPER(5/16x1.00)	41
-	1	1	1	-	23241-6	BALL, STEEL	40
-	1	1	1	-	690170-1	SPRING, COMPRESSION	39
-	1	1	1	-	690142-1	DISC, INSULATION	38
-	1	1	1	-	354777-1	WIRE DISC, PLASTIC	37
-	1	1	1	-	22480-5	WASHER, SPRING	36
-	1	1	1	-	690212-1	POST, RAM	35
-	1	1	1	-	690786-1	SUPPORT, TERMINAL	34
-	REF	REF	REF	-	455675-1	PLATE, BASE	33
-	1	1	1	-	690432-3	SCREW, ADJUSTMENT	32
-	REF	REF	REF	-	-	-	31
-	REF	REF	REF	-	455689-1	BLOCK, STRIP GUIDE ADJ	30
-	1	1	1	-	455671-1	PLATE, STRIP GUIDE	29
-	1	1	1	-	2-455888-0	SPACER,CRIMPER	28
-	2	2	2	-	1-22284-0	SPRING, DRAG	27
-	1	1	1	-	690546-1	LEVER, DRAG RELEASE	26
-	1	1	1	-	240792-1	DRAG, TERMINAL	25
-	1	1	1	-	8-690504-9	GUIDE, STRIP (REAR)	24
-	1	1	1	-	690438-1	GUIDE, STRIP (FRONT)	23
-	-	-	1	-	690472-9	STRIPPER	22
-	REF	REF	REF	-	4-22284-9	SPRING, FEED RETURN	21
-	REF	REF	REF	-	-	-	20
-	1	1	-	-	691353-1	STRIPPER	19
-	1	1	1	-	1338766-1	TOOL SIZING	18
-	REF	REF	REF	-	-	-	17
-	1	1	1	-	691667-1	GUARD, CHIP (FRONT)	16
-	REF	REF	REF	-	-	-	15
-	1	1	1	-	2-240641-9	SPACER, DEPRESSOR (REAR)	14
-	1	1	1	-	455888-4	SPACER, CRIMPER	13