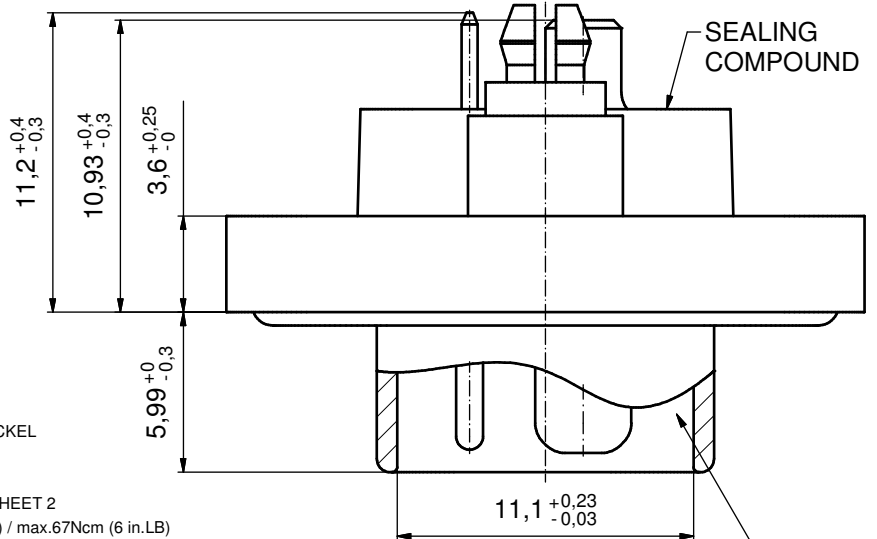


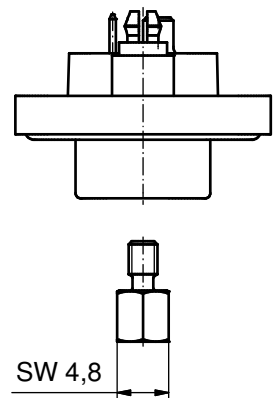
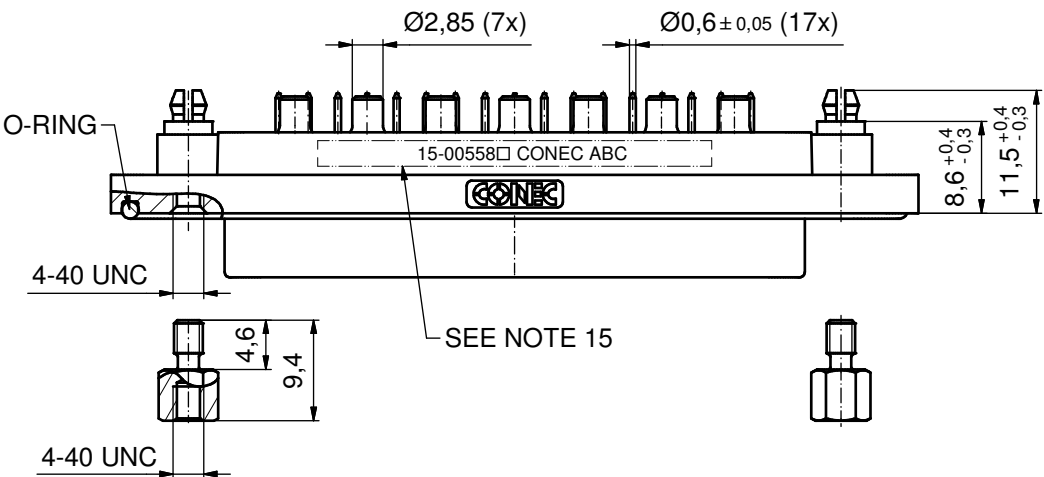
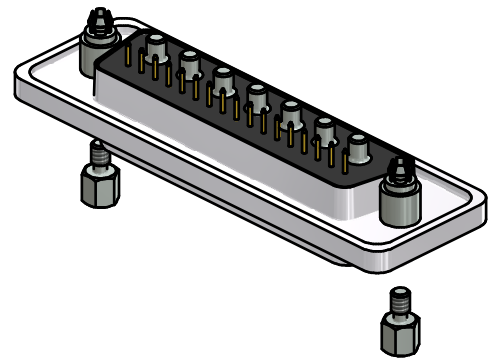
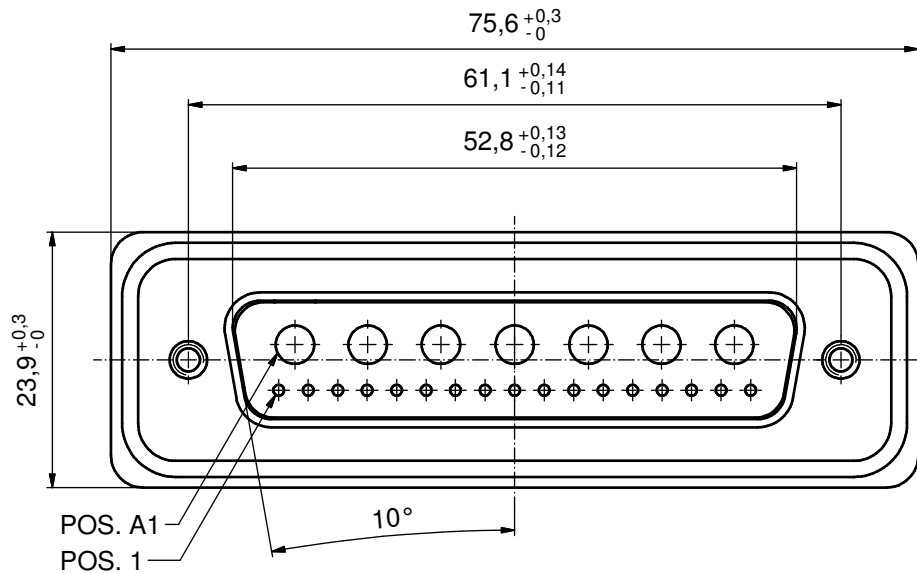
NOTES:

- FOR WAVESOLDERING (SOLDER BATH TEMPERATURE 265°C FOR 8 SEC. AND SOLDER PREHEAT 150°C FOR 180 SEC.)
- IP RATING: IP67
- SEALED TO WITHSTAND PRESSURE UP TO 1,45 PSI FOR 30 MINUTES AFTER HIGH TEMPERATURE EXPOSURE
- METALSHELL: ZINC DIE CAST;
min. 50µin NICKEL PLATING over COPPER
- INSULATORS: PBT GF UL 94 V-0; GREEN
- O-RING: SILICONE PER ASTM D2000 70 SHORE A
- RUBBER GASKET: TPE; BLACK
- SEALING COMPOUND: EPOXY RESIN UL 94 V-0; BLACK
- SIGNAL CONTACTS: COPPER ALLOY;
PLATING (SEE PART NO.):
30µin HARD GOLD over min. 50µin NICKEL if 1□ in PART NO.
GOLD FLASH over NICKEL if 3□ in PART NO.
- HIGH POWER CONTACTS 20A: COPPER ALLOY;
PLATING, MATING SIDE (SEE PART NO.):
□ PLEASE ADD 1 for 30µin HARD GOLD over min. 50µin NICKEL
□ PLEASE ADD 3 for GOLD FLASH over NICKEL
PLATING, TERMINATION SIDE: 160-240µin TIN over 80µin NICKEL
- REAR SPACER CLIPS: COPPER ALLOY; min. 200µin TIN over 80µin NICKEL
PCB HOLE: $\varnothing 3,1 \pm 0,1$; PCB THICKNESS 1,6mm
- HEXLOCKING SCREWS: STAINLESS STEEL
- P.C.B. HOLE DRILLINGS and RECOMMENDED PANEL CUT-OUT ON SHEET 2
- RECOMMENDED TORQUE FOR MOUNTING SCREW 35Ncm (3.1 in.LB) / max.67Ncm (6 in.LB)
- CONNECTOR IS PART MARKED: 15-00558□ CONEC ABC

(5:1)



RUBBER GASKET
PLACED ON TOP SURFACE
OF MALE INSULATOR



Directive 2002/95/EC RoHS compliant

THIS DRAWING MAY NOT BE COPIED OR REPRODUCED IN ANY WAY, AND MAY NOT BE PASSED ON TO A THIRD PARTY WITHOUT WRITTEN PERMISSION. OWNERSHIP AND COPYRIGHT OF CONEC GmbH DO NOT ALTER CAD DRAWING BY HAND	tolerance		dim. in mm		scale:	2:1 (5:1)	
					material:	see notes	
	drawn	29.01.14	Henneboel		title: D-SUB COMBINATION MALE 24W7P SOLDER PIN STRAIGHT with rear spacer clip and hexlocking screw		
	appd.	30.01.14	Schmidt				
	norm						
rev.	a	Original			dwg no:	15K1A1177	
						DIN-A3	
						sh: 1/2	
						part no:	15-00558□ (see note 10)

