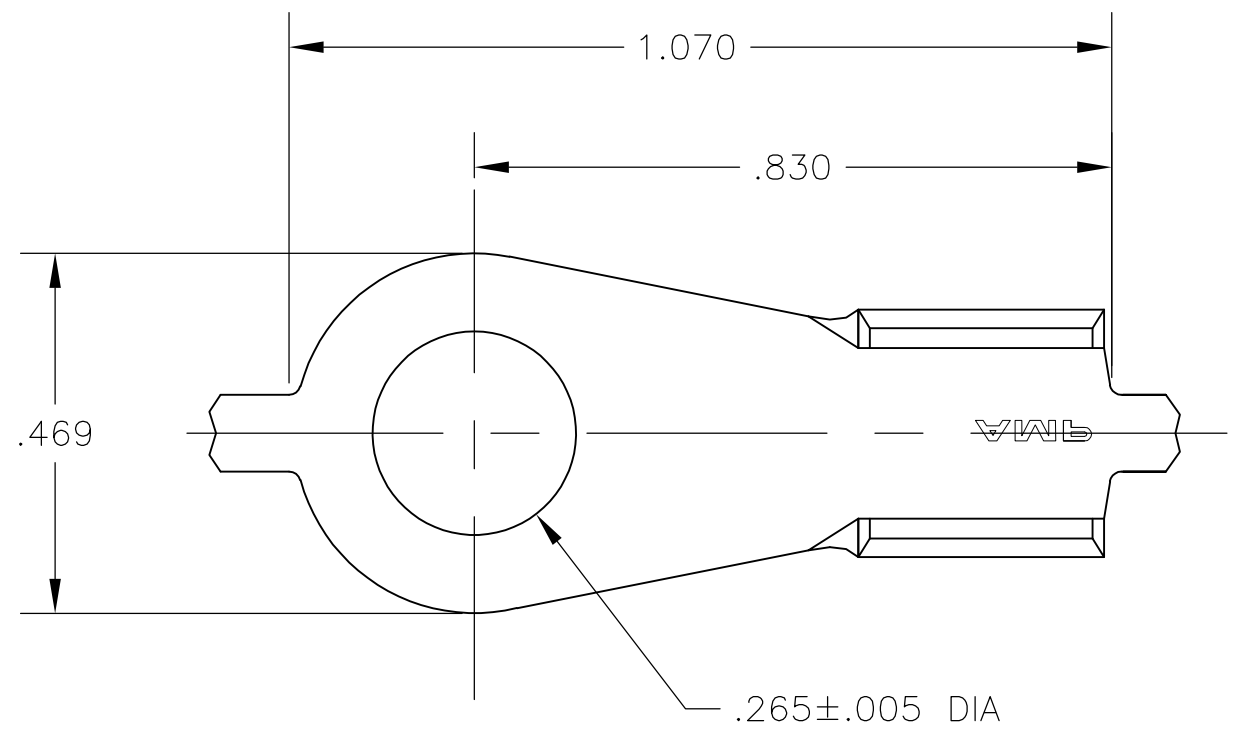
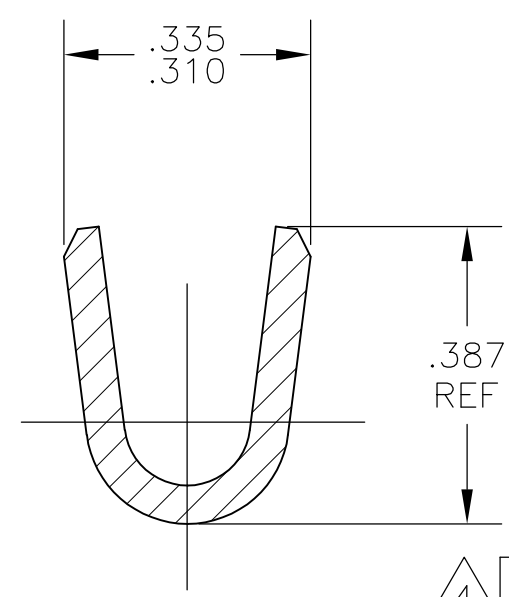
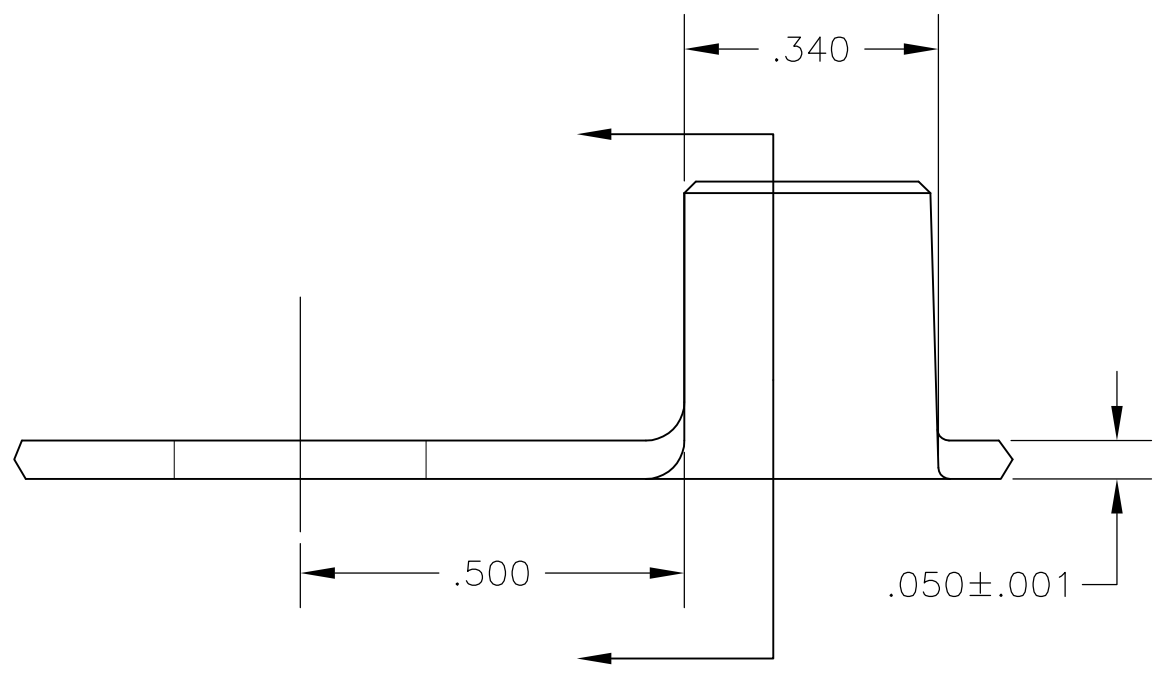


THIS DRAWING IS UNPUBLISHED. RELEASED FOR PUBLICATION
 © COPYRIGHT - By - ALL RIGHTS RESERVED.

LOC	DIST	REVISIONS					
AF	50	P	LTR	DESCRIPTION	DATE	DWN	APVD
			B3	REVISED PER ECR-11-014449	12JUL11	JR	PD



- 1 CONTINUOUS STRIP ON REELS.
- △ 2 TIN PLATING
- △ 3 PRELIMINARY - NOT FOR PRODUCTION
- △ 4 SPLICE FREE REELS.
- 5 WIRE SIZE #10-#6



△ 4	TEMP H00 COPPER	△ 3	1742456-3
	TEMP H00 COPPER		1742456-2
	082 BRASS	△ 3	1742456-1
	MATERIAL		PART NUMBER

THIS DRAWING IS A CONTROLLED DOCUMENT.		DWN	JR RUTH	01AUG06	STE TE Connectivity																
DIMENSIONS: INCHES		CHK	D DECKER	01AUG06				NAME													
TOLERANCES UNLESS OTHERWISE SPECIFIED:		APVD	D DECKER	01AUG06	RING TONGUE																
<table border="0"> <tr><td>0 PLC</td><td>± -</td></tr> <tr><td>1 PLC</td><td>± -</td></tr> <tr><td>2 PLC</td><td>± -</td></tr> <tr><td>3 PLC</td><td>± .010</td></tr> <tr><td>4 PLC</td><td>± -</td></tr> <tr><td>ANGLES</td><td>± 1°</td></tr> </table>		0 PLC	± -	1 PLC	± -	2 PLC	± -	3 PLC	± .010	4 PLC	± -	ANGLES	± 1°	PRODUCT SPEC		SIZE			CAGE CODE	DRAWING NO	RESTRICTED TO
0 PLC	± -																				
1 PLC	± -																				
2 PLC	± -																				
3 PLC	± .010																				
4 PLC	± -																				
ANGLES	± 1°																				
MATERIAL SEE TABLE		FINISH △ 2		APPLICATION SPEC		A3 00779		C-1742456	-												
CUSTOMER DRAWING				WEIGHT		SCALE 4:1		SHEET 1 OF 1	REV B3												