

4

3

2

1

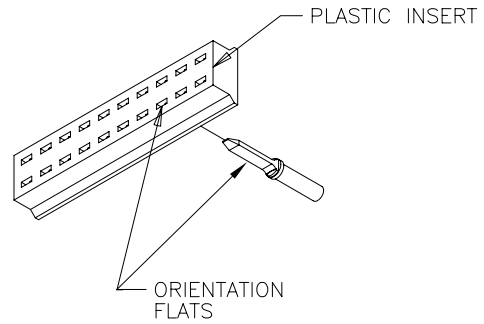
TYCO ELECTRONICS RESERVES THE RIGHT TO AMEND THIS DRAWING AT ANY TIME. USERS SHOULD EVALUATE THE SUITABILITY OF THE PRODUCT FOR THEIR APPLICATION.

REVISIONS			
LTR	DESCRIPTION	DATE	APPROVED
A	INITIAL RELEASE PER DCR# T-32064	OCTOBER/1/03	M.HIGGY
B	REVISE PER DCR# C050492	JUNE/20/05	M.HIGGY

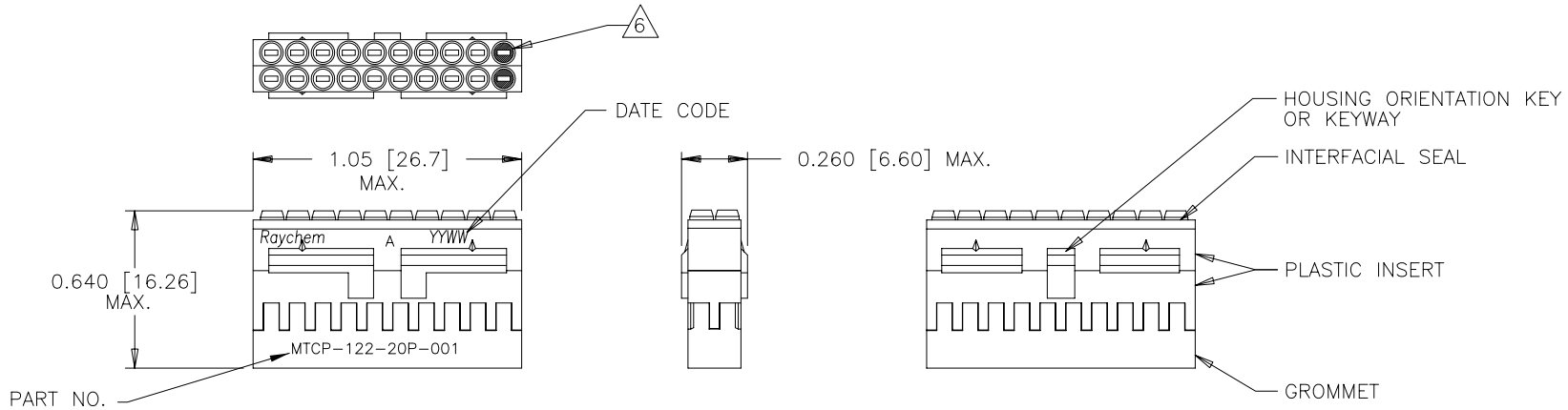
NOTES:

- THIS INSERT IS DESIGNED FOR USE IN TYCO/RAYCHEM CONNECTOR HOUSING MTC100-JH1-XXX. (SEE TYCO/RAYCHEM INFORMATION DRAWING D-659-0097 AND HOUSING SPECIFICATION CONTROL DRAWING FOR FURTHER DETAILS).
- PART DESCRIBED HEREON IS SUPPLIED AS SHOWN. REFER TO TYCO/RAYCHEM INFORMATION DRAWING D-659-0097 FOR CRIMP TOOLS OR ADDITIONAL CONTACTS, SEALING PLUGS OR TOOLS.
- GROMMET DESIGNED TO SEAL ON WIRES HAVING AN INSULATION DIAMETER OF 0.030 TO 0.065.
- PERFORMANCE:
THIS PRODUCT IS DESIGNED TO MEET THE APPLICABLE REQUIREMENTS OF RAYCHEM SPECIFICATION C-6115.
- MATERIALS:

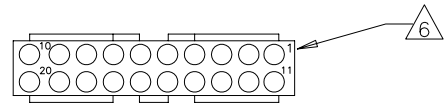
A) PLASTIC INSERT	HIGH GRADE POLYARYLENE THERMOPLASTIC
B) GROMMET	FLUOROSILICONE PER MIL-R-25988
C) INTERFACIAL SEAL	FLUOROSILICONE PER MIL-R-25988
D) RETENTION CLIPS (20) (INSIDE PLASTIC INSERT)	BERYLLIUM COPPER 172 PER ASTM B194



6 NUMBER ONE (1) AND ELEVEN (11) CAVITIES ARE MARKED IN CONTRASTING COLOR. PART NUMBER, RAYCHEM, A AND DATE CODE ARE STAMPED APPROXIMATELY AS SHOWN.



PART NO.



SPECIFICATION CONTROL DRAWING

© 2005 Tyco Electronics Corporation. All rights reserved.

UNLESS OTHERWISE SPECIFIED DIMENSIONS ARE IN INCHES. METRIC DIMENSIONS ARE IN BRACKETS. DECIMALS .XXX ± .XX ± N/A } mm } ANGLES .X ±	DRAWN	ZS.ORBAN	SEP/29/03	tyco Electronics	TYCO ELECTRONICS 300 Constitution Drive Menlo Park, CA. 94025 USA	Raychem	
	CHECKED						
	APPROVED	M.HIGGY	SEP/29/03	TITLE 1 INCH, INSERT, PIN, 20 CAVITY, SIZE 22-20 REMOVABLE CONTACT SPECIAL MARKING-MTC100 SERIES			
	CAD NAME	C050492.DWG		SIZE	CODE IDENT. NO.	DWG. NO.	REV
WEIGHT	0.0049 lbs [2.223 g] MAX	THIRD ANGLE PROJECTION	C		06090	MTCP-122-20P-001	B
			DO NOT SCALE THIS DRAWING		SHEET 1 OF 1		

If this document is printed it becomes uncontrolled. Check for the latest revision.

4

3

2

DWG. NO. MTCP-122-20P-001 SHEET 1