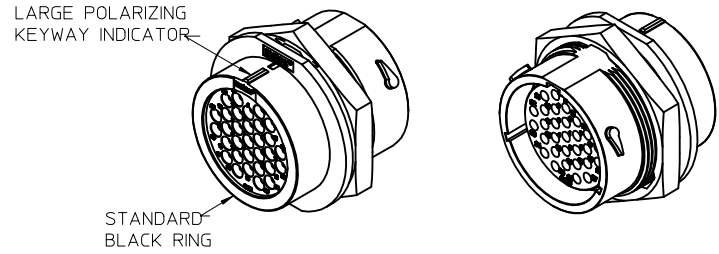
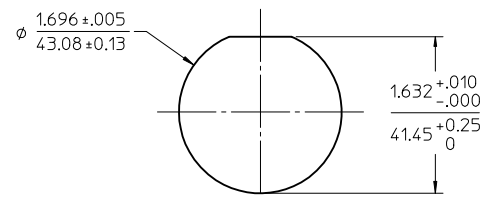


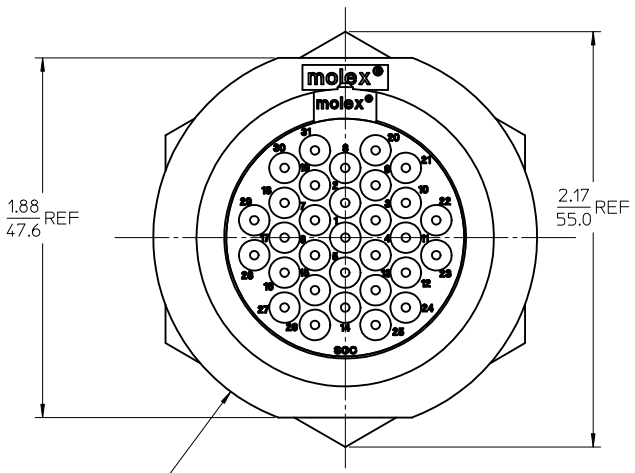
13	12	11	10	9	8	7	6	5	4	3	2	1
MATERIAL NUMBER	WIRE AWG	INSULATION O.D.	RING									
845060001	18-14	.053-.134/1.35-3.40	STANDARD BLACK									



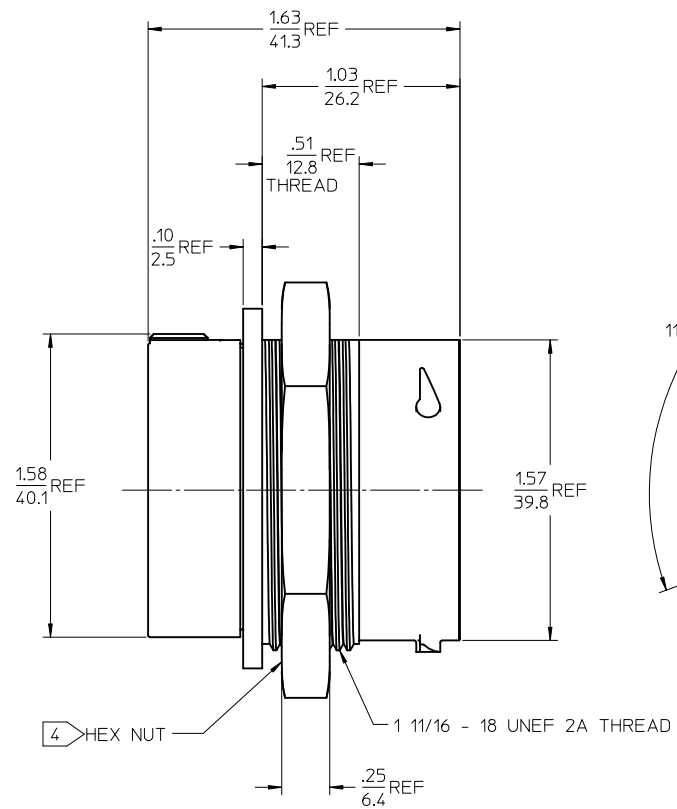
ASSEMBLED VIEW  
SCALE 1:1



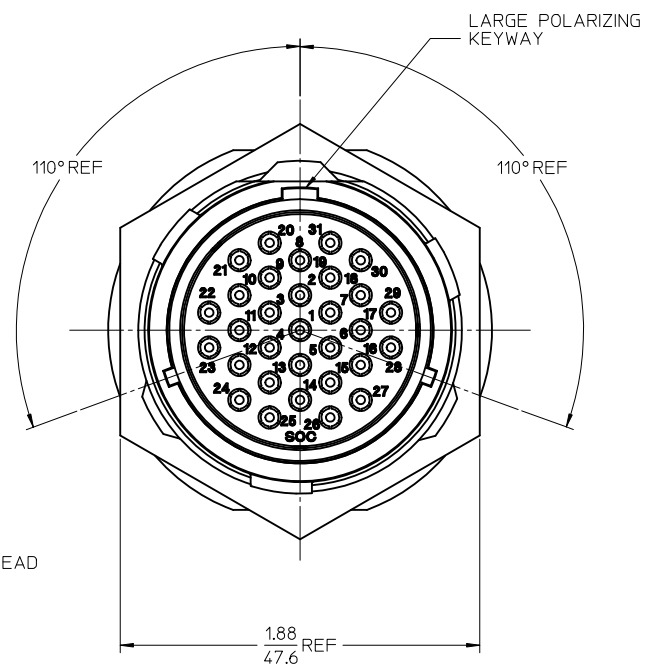
RECOMMENDED MOUNTING HOLE



WIRE ENTRY VIEW  
SCALE 2:1



4 HEX NUT



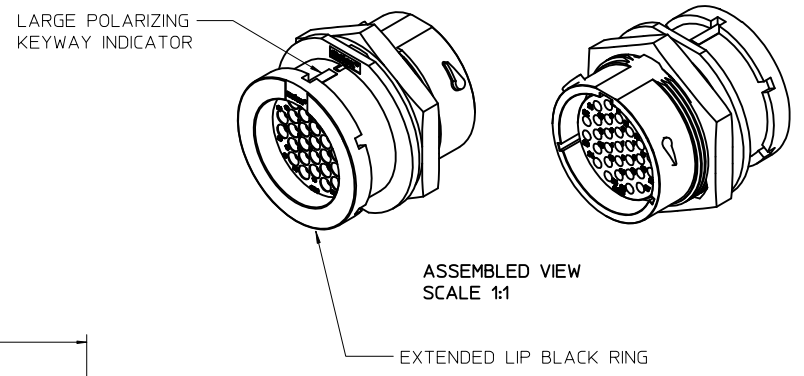
LARGE POLARIZING KEYWAY

NOTES:

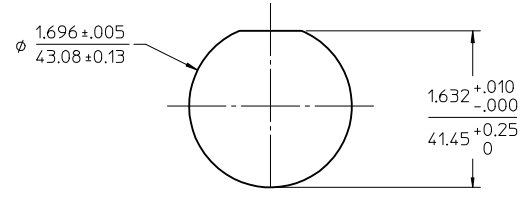
1. RECOMMENDED PANEL THICKNESS .062/1.58 TO .187/4.75.
2. USE CONNECTOR WITH FEMALE CRIMP TERMINAL SERIES 84525.
3. MATES WITH PLUG CONNECTOR SERIES 84505.
4. HEX NUT SOLD SEPARATELY, MOLEX MATERIAL NUMBER 84506-0012.
5. ASSEMBLY IS ROHS COMPLIANT.
6. PACKAGED PER PK-84501-001.

REVISE TERM. NOTE EC NO: WNA2011-0406 DRWING: WLEUNG 2011/02/01 CHKD: APPR: OTI TUS 2011/02/04	QUALITY SYMBOLS ▽=0 ▽=0	GENERAL TOLERANCES (UNLESS SPECIFIED)		DIMENSION STYLE IN/MM	SCALE 2:1	DESIGN UNITS INCH	THIRD ANGLE PROJECTION
		mm	INCH	DRAWN BY JPAWLICKI	DATE 2006/6/5	RECP. CONNECTOR ASSEMBLY, 24-31 POS SOCKET TERMINALS	
		4 PLACES ± ---	± ---	CHECKED BY JPAWLICKI		DATE 2006/6/6	
		3 PLACES ± ---	± ---	APPROVED BY RDEROSS		DATE 2006/6/7	
		2 PLACES ± ---	± .015	MATERIAL NO. 845060001			
		1 PLACE ± 0.38	± ---	DOCUMENT NO. SD-84506-001			
		ANGULAR ± 2 °		SHEET NO. 1 OF 2			
DRAFT WHERE APPLICABLE MUST REMAIN WITHIN DIMENSIONS				THIS DRAWING CONTAINS INFORMATION THAT IS PROPRIETARY TO MOLEX INCORPORATED AND SHOULD NOT BE USED WITHOUT WRITTEN PERMISSION			

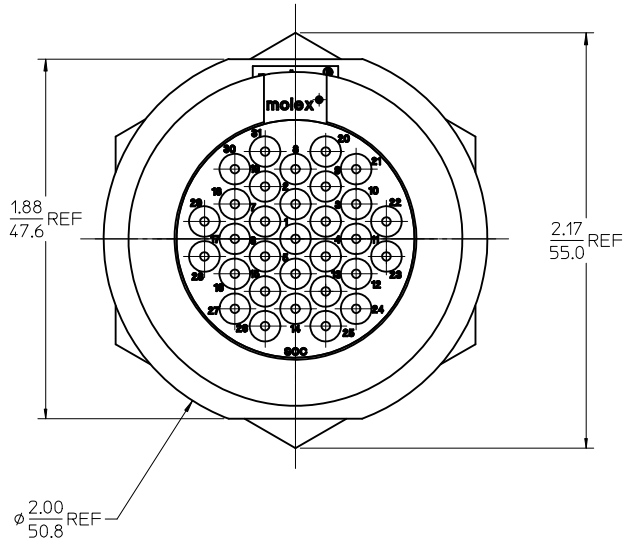
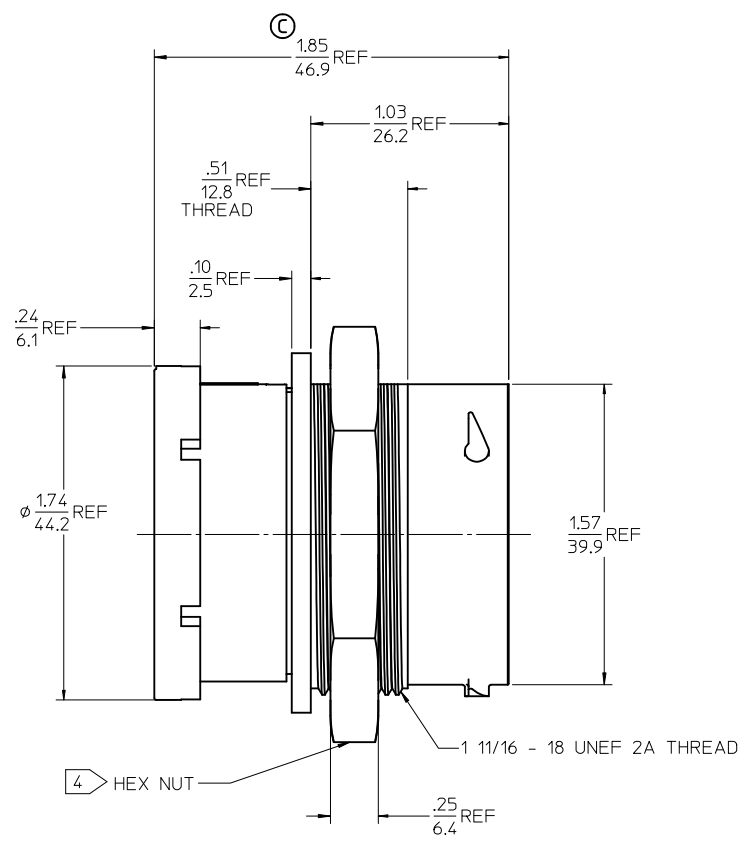
13	12	11	10	9	8	7	6	5	4	3	2	1
MATERIAL NUMBER	WIRE AWG	INSULATION O.D.	RING									
845060003	18-14	.053-.134/1.35-3.40	EXTENDED LIP BLACK									



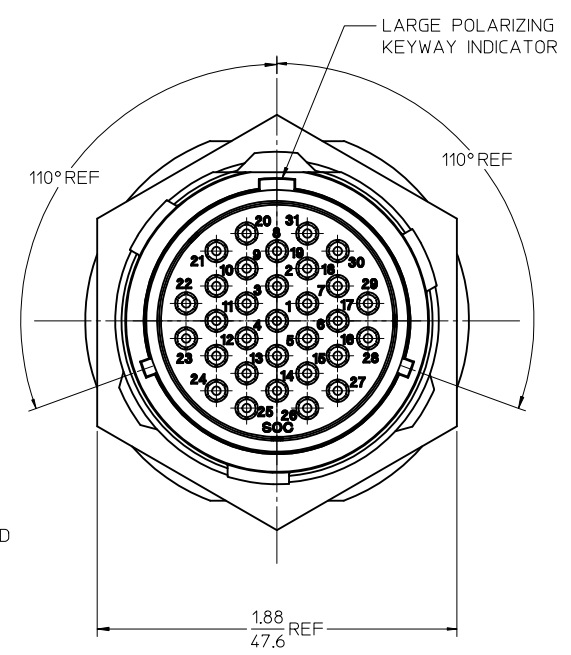
ASSEMBLED VIEW  
SCALE 1:1



RECOMMENDED MOUNTING HOLE



WIRE ENTRY VIEW  
SCALE 2:1



NOTES:

1. RECOMMENDED PANEL THICKNESS .062/1.58 TO .187/4.75.
2. USE CONNECTOR WITH FEMALE CRIMP TERMINAL SERIES 84525.
3. MATES WITH PLUG CONNECTOR SERIES 84505.
4. HEX NUT SOLD SEPARATELY, MOLEX MATERIAL NUMBER 84506-0012.
5. USE CONNECTOR WITH STRAIN RELIEF BACKSHELL, MOLEX MATERIAL NO. 84537-0003.
6. ASSEMBLY IS ROHS COMPLIANT.
7. PACKAGED PER PK-84501-001.

UPDATE OVERALL LENGTH & REVISE TERM. NOTE REC NO: WNA2011-0406 2011/02/01	QUALITY SYMBOLS ▽=0 ▽=0
DRW:WLEUNG 2011/02/01 CHKD: APPR:DTITUS 2011/02/04	DESCRIPTION

GENERAL TOLERANCES (UNLESS SPECIFIED)	
	mm INCH
4 PLACES ± ---	± ---
3 PLACES ± ---	± ---
2 PLACES ± ---	± .015
1 PLACE ± 0.38	± ---
ANGULAR ± 2 °	
DRAFT WHERE APPLICABLE MUST REMAIN WITHIN DIMENSIONS	

DIMENSION STYLE IN/MM	
DRAWN BY JPWLICKI	DATE 2006/6/5
CHECKED BY JPWLICKI	DATE 2006/6/6
APPROVED BY RDEROSS	DATE 2006/6/7
MATERIAL NO. 845060003	

SCALE 1:1	DESIGN UNITS INCH	THIRD ANGLE PROJECTION
TITLE RECT. CONNECTOR ASSEMBLY, 24-31 POS SOCKET TERMINALS		
MOLEX MOLEX INCORPORATED		
DOCUMENT NO. SD-84506-001	SHEET NO. 2 OF 2	
THIS DRAWING CONTAINS INFORMATION THAT IS PROPRIETARY TO MOLEX INCORPORATED AND SHOULD NOT BE USED WITHOUT WRITTEN PERMISSION		