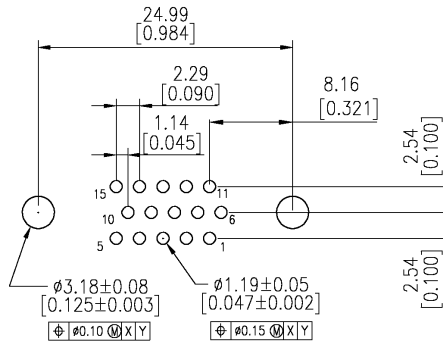
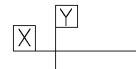
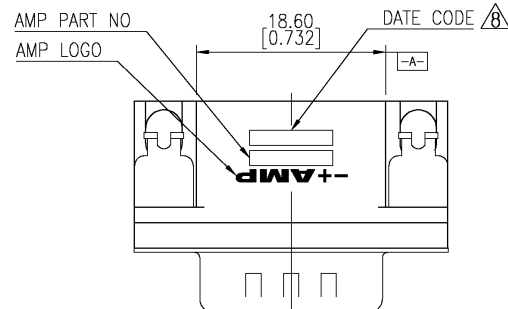
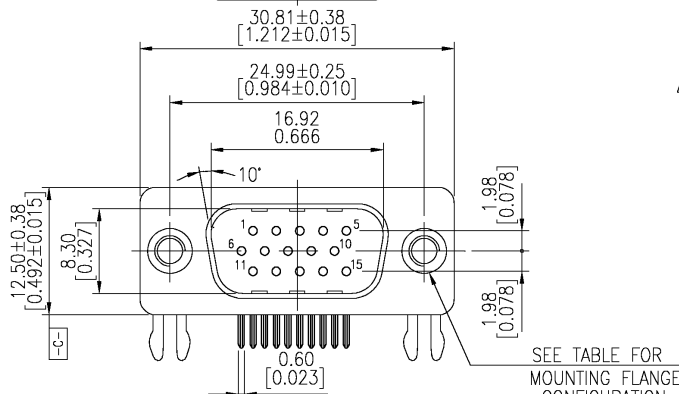


LOC		DST		REVISIONS			
P	LTR	DESCRIPTION	DATE	DWN	APVD		
GP	00	J	REVISED PER EC OS13-0175-03	05JUN03	JG	CC	

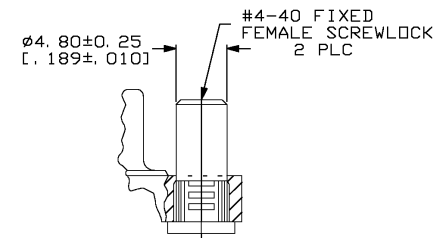


RECOMMENDED PCB LAYOUT



MATERIAL:

- Housing: PBT, 30% G.F polyester, Black. (UL 94V-0 Rated)
 - Contact: Phos. Bronze.
 - Contact Plated: 30u" Gold Plated over 50u" Nickel underplated.
 - Solder Tail: Tin/Lead Plated 120u" over 50u" Nickel underplated.
 - Shell: Steel, Nickel Plated.
 - Boardlock: Brass, Tin Plated 100u"
 - Female Screwlock: Brass, Nickel plated 30u" Min.
- ⑧ Four digit date code in this format.
- 01 45
Year Manufacturing Week
- ⑨ Solder Tail: Tin Plated 120u" over 50u" Nickel underplated.



Detail A

Tray	Detail A	⑨	30 μ"	6-749768-7
Tray	Detail A	④	Gold flash	749768-3
Tray	Detail A	④	15 μ"	749768-2
Tray	Detail A	④	30 μ"	749768-1
Packaging	Mounting Flange		Contact Finish	AMP Part NO

DIMENSIONS:		TOLERANCES UNLESS OTHERWISE SPECIFIED:		APVD		NAME	
MM		0 PLC	±				
		1 PLC	± 0.30				
		2 PLC	± 0.20				
		3 PLC	± 0.10				
		4 PLC	±				
		ANGLES	± 7				
MATERIAL	FINISH			PRODUCT SPEC			
				APPLICATION SPEC			
				SIZE	DATE CODE	DRAWING NO	RESTRICTED TO
				WEIGHT	A2	00779	©-749768
				CUSTOMER DRAWING	SCALE	1:1	SHEET 1 OF 1 REV J