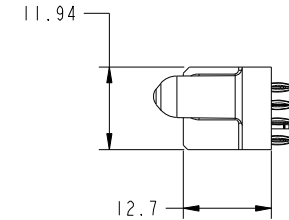
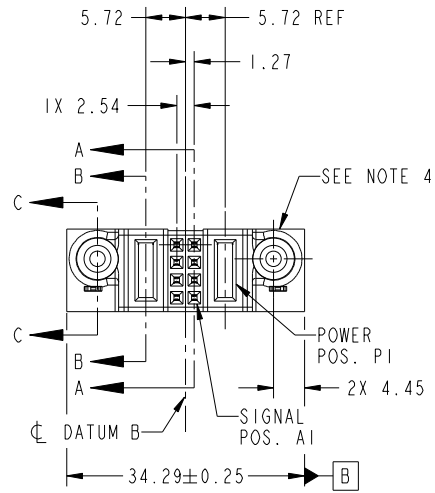


Tous droits strictement reserves. Reproduction ou communication a des tiers interdite sous quelque forme que ce soit sans autorisation écrite du propriétaire. Propriete de c FCI. Droits de reproduction FCI.



All rights strictly reserved. Reproduction or issue to third parties in any form whatever is not permitted without written authority from the proprietor. Property of FCI. Copyright FCI.

PRODUCT NO.	ROWS	POWER SIGNAL POWER				
		E2	P2	2 1	P1	E1
51752-027-- NOTE: 3	D C B A					



CODE	DIM "M" MATING LENGTH	CONTACT TYPE
PF	[2.34]	POWER
PC	[1.07]	POWER
F	[N/A]	SIGNAL
HA	[N/A]	HOLD-DOWN

mat'l code				SEE NOTES		tolerances unless otherwise specified		CUSTOMER		FCI	
ltr	ecn no.	dr	date	linear	0.X ± 0.5	projection	COPY		www.fciconnect.com		
A	DG10-0326	JW	09/09/10	angles	0.XX ± 0.25		title		IP + 8S + IP		
				dr	0.XXX ± 0.1		product family		PwrBlade		code
				enr	0° ± 2°	scale	size		dwg no		213
				chr	JULIA WANG 02/03/09	1:1	A		51752-027		sheet
				appd	JULIA WANG 02/03/09						1 of 4
					PM ZHENG 02/03/09						
					JOSEPH HSIA 02/03/09						
sheet index	revision sheet	A	A	A	A						
		1	2	3	4						

cage code 22526

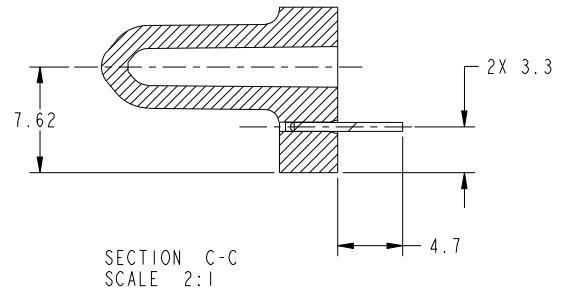
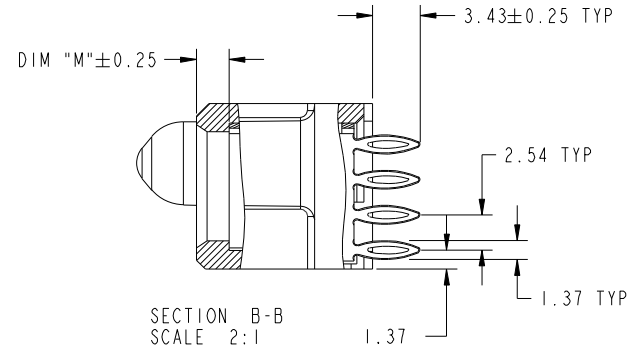
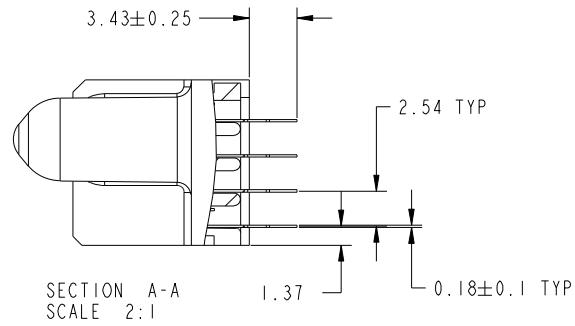
Pro/E

Tous droits strictement reserves. Reproduction ou communication a des tiers interdite sous quelque forme que ce soit sans autorisation écrite du propriétaire. Propriete de c FCI. Droits de reproduction FCI.



All rights strictly reserved. Reproduction or issue to third parties in any form whatever is not permitted without written authority from the proprietor. Property of FCI. Copyright FCI.

PRODUCT NUMBER  
51752-027--  
NOTE: 3



mat'l code				tolerances unless otherwise specified		CUSTOMER		www.fciconnect.com	
ltr	ecn no.	dr	date	linear	0.X ±0.5	COPY		title	
A					0.XX ±0.25	projection		IP + 8S + IP	
				angles	0.XXX ±0.1			VERTICAL PRESS-FIT RECEIPT	
				dr	0° ±2°	MIM		product family	PwrBlade
				enr	JULIA WANG 02/03/09	scale		size	code
				chr	JULIA WANG 02/03/09	1:1		dwg no	213
				appd	PM ZHENG 02/03/09			A	51752-027
					JOSEPH HSIA 02/03/09				
sheet index	revision sheet								

cage code 22526

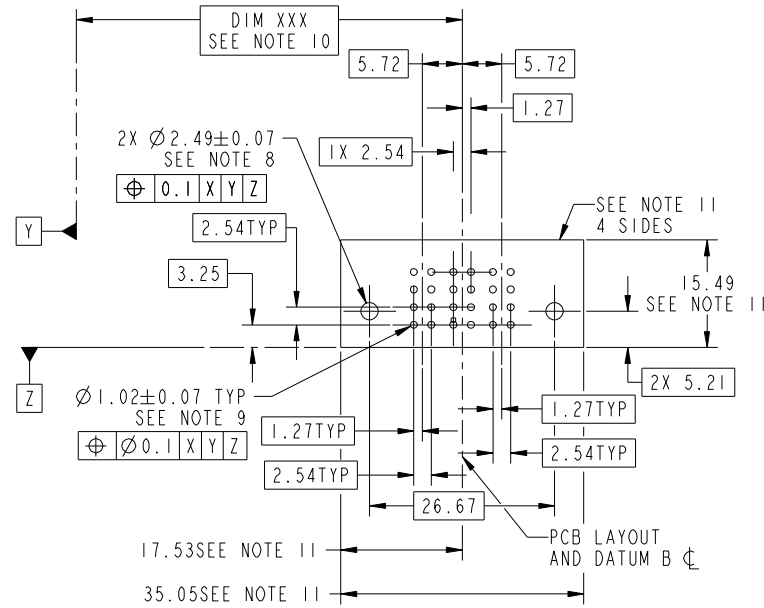
Pro/E

Tous droits strictement reserves. Reproduction ou communication a des tiers interdite sous quelque forme que ce soit sans autorisation écrite du propriétaire. Propriete de c FCI. Droits de reproduction FCI.



All rights strictly reserved. Reproduction or issue to third parties in any form whatever is not permitted without written authority from the proprietor. Property of FCI. Copyright FCI.

PRODUCT NUMBER  
51752-027--  
NOTE: 3



RECOMMENDED PCB LAYOUT

mat'l code				tolerances unless otherwise specified		CUSTOMER		 www.fciconnect.com	
ltr	ecn no.	dr	date	linear	0.X ±0.5	COPY		title	
A					0.XX ±0.25	projection		IP + 8S + IP	
				angles	0.XXX ±0.1			VERTICAL PRESS-FIT RECEPT	
				dr	0° ±2°			product family PwrBlade code	
				enr	JULIA WANG 02/03/09	scale		size	
				chr	JULIA WANG 02/03/09	1:1		dwg no	
				appd	PM ZHENG 02/03/09			51752-027	
					JOSEPH HSIA 02/03/09			sheet	
sheet index	revision sheet							3 of 4	

cage code 22526

Pro/E

Tous droits strictement reserves. Reproduction ou communication a des tiers interdite sous quelque forme que ce soit sans autorisation écrite du propriétaire. Propriete de c FCI. Droits de reproduction FCI.



All rights strictly reserved. Reproduction or issue to third parties in any form whatever is not permitted without written authority from the proprietor. Property of FCI. Copyright FCI.

PRODUCT NUMBER  
51752-027--  
NOTE: 3

NOTES:

1. DIMENSIONS AND TOLERANCES ARE IN ACCORDANCE WITH ASME Y14.5M, 1994 UNLESS OTHERWISE SPECIFIED.

CONNECTOR NOTES:

- 2 HOUSING MATERIAL: UL 94 V-0 GLASS FILLED HIGH-TEMP THERMOPLASTIC  
POWER CONTACT MATERIAL: COPPER ALLOY  
SIGNAL PIN MATERIAL: COPPER ALLOY
  - 3. PLATING SPEC.  
SEE ITEM 7 & 8 IN PRINT 10064183 FOR PLATING SPEC. OF 51752-027, 51752-027LF RESPECTIVELY.
  - 4 MANUFACTURER'S NAME, P/N, AND DATE CODE TO APPEAR ON THIS SURFACE.
  - 5. PRODUCT SPECIFICATION GS-12-149.  
APPLICATION SPECIFICATION BUS-20-067.
  - 6. PACKAGED IN TRAYS.
- PCB NOTES:
- 7. ALL HOLE DIAMETERS ARE FINISHED HOLE SIZE.
  - 8 MOUNTING HOLES, WHERE APPLICABLE, ARE UNPLATED.
  - 9  $\varnothing 1.151 \pm 0.025$  DRILLED HOLES PLATED WITH  
0.008 MIN SnPb OR Sn OVER 0.03  
TO 0.08 Cu PLATING TO ACHIEVE  
 $\varnothing 1.02 \pm 0.07$  HOLE.
  - 10 "DIM XXX" TO BE DETERMINED BY THE CUSTOMER.
  - 11 CONNECTOR KEEP-OUT ZONE.
  - 12. THE VOID CORING IN BETWEEN POWER MODULES, SIGNAL MODULES AND END MODULES ARE OPTIONAL AND THE SHAPE MAY BE DIFFERENT FOR OPTIMIZE THE MOLDING PROCESS. THE VOID CORING WILL NOT EFFECT TO PRODUCT FUNCTION.

mat'l code				tolerances unless otherwise specified		CUSTOMER		FCI		www.fciconnect.com	
ltr	ecm no.	dr	date	linear	0.X ± 0.5		COPY		projection	title	
A					0.XX ± 0.25		MIM			IP + 8S + IP	
					0.XXX ± 0.1		←			VERTICAL PRESS-FIT RECEIPT	
				angles	0° ± 2°		MIM		product family		code
				dr	JULIA WANG	02/03/09	←		PwrBlade		213
				enr	JULIA WANG	02/03/09	←		size		sheet
				chr	PM ZHENG	02/03/09	←		dwg no		4 of 4
				appd	JOSEPH HSIA	02/03/09	←		A		51752-027
sheet index		revision sheet				scale		1:1			

cage code 22526

Pro/E