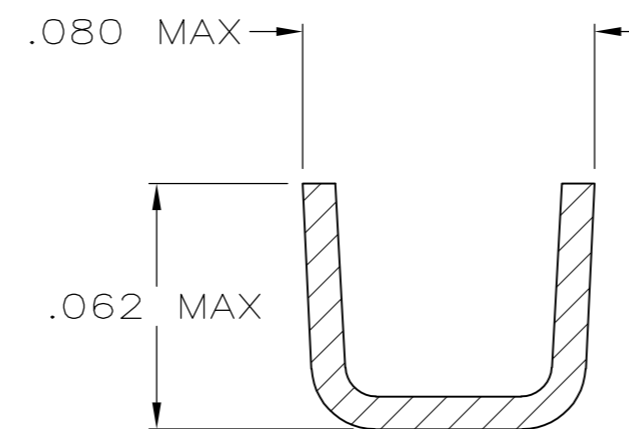
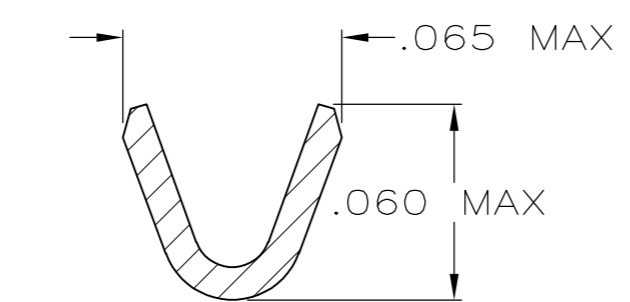
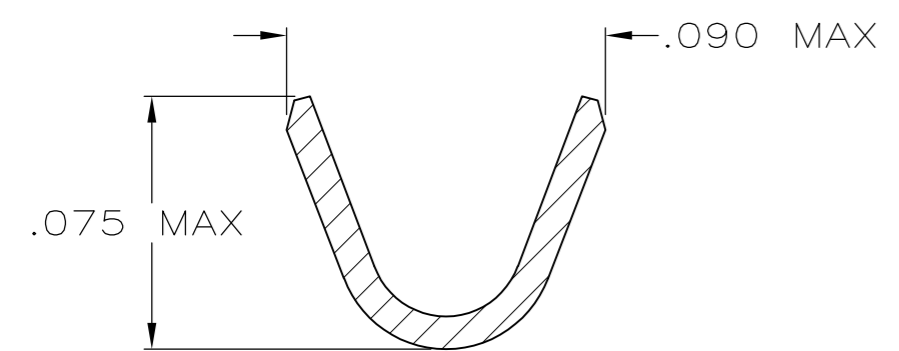
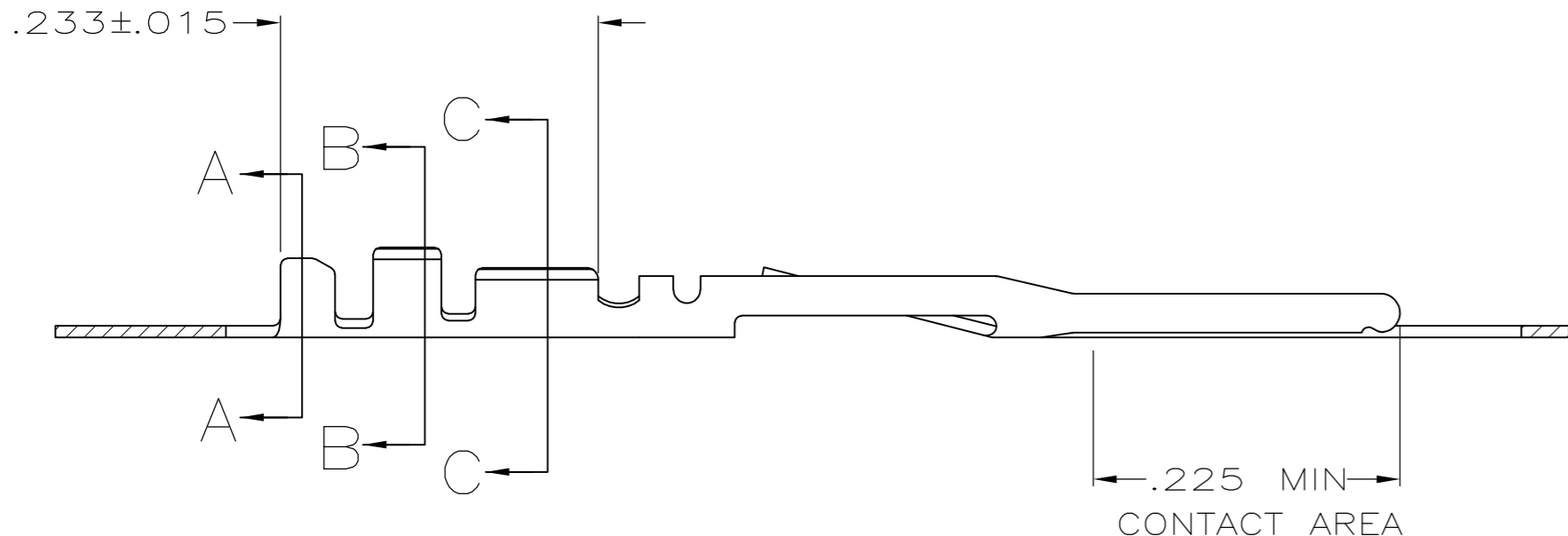
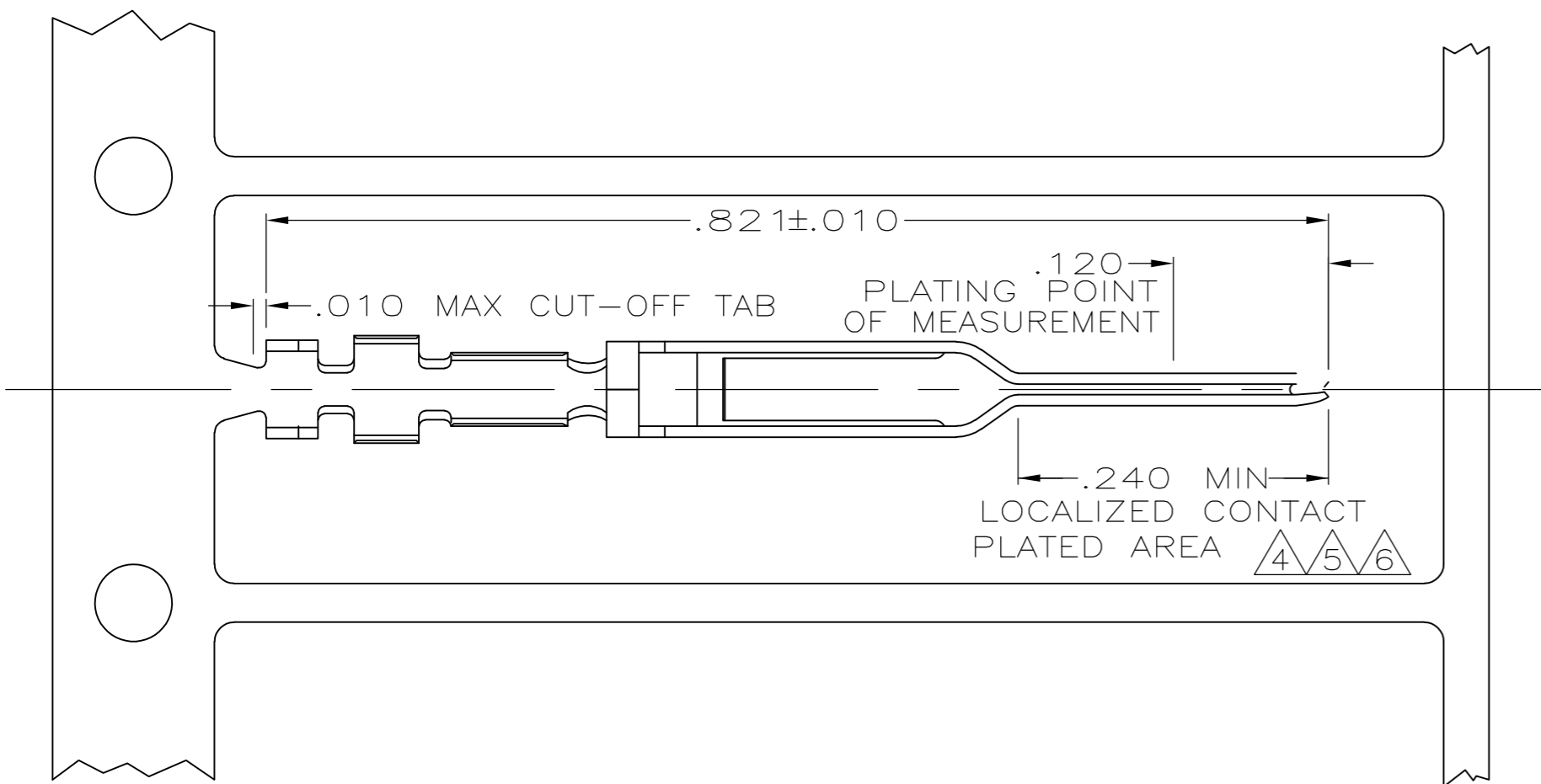


THIS DRAWING IS UNPUBLISHED. RELEASED FOR PUBLICATION
 © COPYRIGHT BY TYCO ELECTRONICS CORPORATION. ALL RIGHTS RESERVED.

| LOC | DIST | REVISIONS | | | | | |
|-----|------|-----------|-----|---------------------------|-----------|-----|------|
| GP | 00 | P | LTR | DESCRIPTION | DATE | DWN | APVD |
| | | W | | REVISED PER ECO-09-001588 | 25JUN2009 | CJV | CWR |
| | | W1 | | REVISED PER ECO-09-021826 | 01SEP09 | KK | AEG |



- 1 FOR STD APPLICATOR.
- 2 FOR MINI APPLICATOR.
- 3 FINISH: .000100 MIN THK BRIGHT-TIN LEAD OVER .000050 MIN THK NICKEL ON ENTIRE CONTACT.
- 4 FINISH: GOLD FLASH ALL OVER, .000015 THK GOLD IN LOCALIZED CONTACT PLATING AREA OVER .000050 MIN THK NICKEL ON ENTIRE CONTACT,
-OR-
GOLD FLASH OVER PALLADIUM-NICKEL, .000015 MIN TOTAL THK IN LOCALIZED CONTACT PLATING AREA AND GOLD FLASH ON REMAINDER OVER .000050 MIN NICKEL ON ENTIRE CONTACT.
- 5 FINISH: GOLD FLASH ALL OVER, .000030 THK GOLD IN LOCALIZED CONTACT PLATING AREA OVER .000050 MIN THK NICKEL ON ENTIRE CONTACT.
- 6 FINISH: GOLD FLASH ALL OVER, .000050 THK GOLD IN LOCALIZED CONTACT PLATING AREA OVER .000050 MIN THK NICKEL ON ENTIRE CONTACT.
- 7. FOR 26-32 AWG WIRE WITH AN INSULATION RANGE OF .025-.048 DIA.
- 8 OBSOLETE PART NO.
- 9 FINISH: .000100 MIN THK MATTE TIN OVER .000050 MIN THK NICKEL ON ENTIRE CONTACT.
- 10 OBSOLETE PARTS: OBSOLETE CIS STREAMLINING PER D.RENAUD/D.SINISI

| 10 OBSOLETE | | 2 | 9 | |
|---------------|-------------|--------|----------|-----------|
| - | - | 2 | 6 | 1-88048-4 |
| - | LOOSE PIECE | 2 | 8 | 1-88048-3 |
| - | - | 2 | 6 | 1-88048-2 |
| - | - | 1 | 6 | 1-88048-1 |
| - | LOOSE PIECE | 1 | 5 | 1-88048-0 |
| - | - | 1 | 8 | 88048-9 |
| - | - | 2 | 5 | 88048-8 |
| - | - | 1 | 3 | 88048-7 |
| - | - | 1 | 4 | 88048-6 |
| 88048-4 | LOOSE PIECE | 4 | 4 | 88048-5 |
| - | - | 2 | 4 | 88048-4 |
| 88048-2 | LOOSE PIECE | 3 | 3 | 88048-3 |
| - | - | 2 | 3 | 88048-2 |
| SUPERSEDED BY | REMARKS | FINISH | PART NO. | |

THIS DRAWING IS A CONTROLLED DOCUMENT.

DWN: J. GALLUCCI 6-27-89
 CHK: D.L. ROCKER 6-28-89
 APVD: -

Tyco Electronics Corporation
 Harrisburg, PA 17105-3608

NAME: CONTACT, PIN, .025 SQ ROUND WIRE, .100CL, FFC

PRODUCT SPEC: 108-9024
 APPLICATION SPEC: 114-16003

SIZE: A2 CAGE CODE: 00779 DRAWING NO: C=88048 RESTRICTED TO: -

MATERIAL: PHOS. BRONZE FINISH: SEE TABLE WEIGHT: -

CUSTOMER DRAWING SCALE: 8:1 SHEET: 1 OF 1 REV: W1