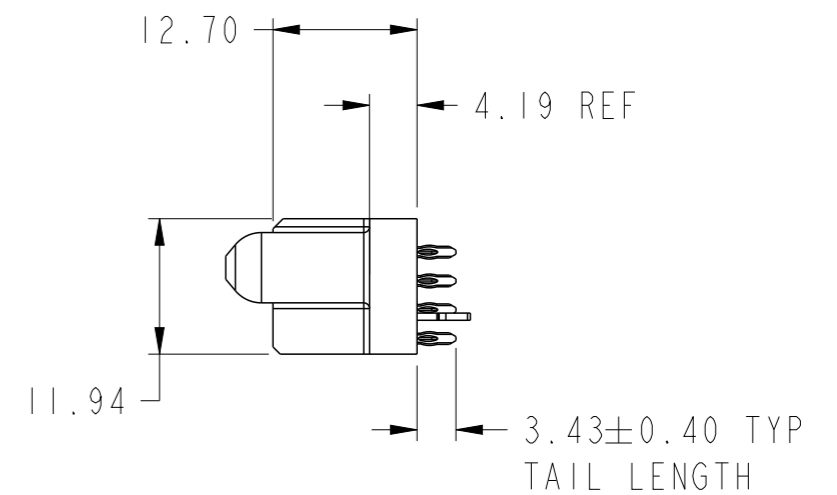
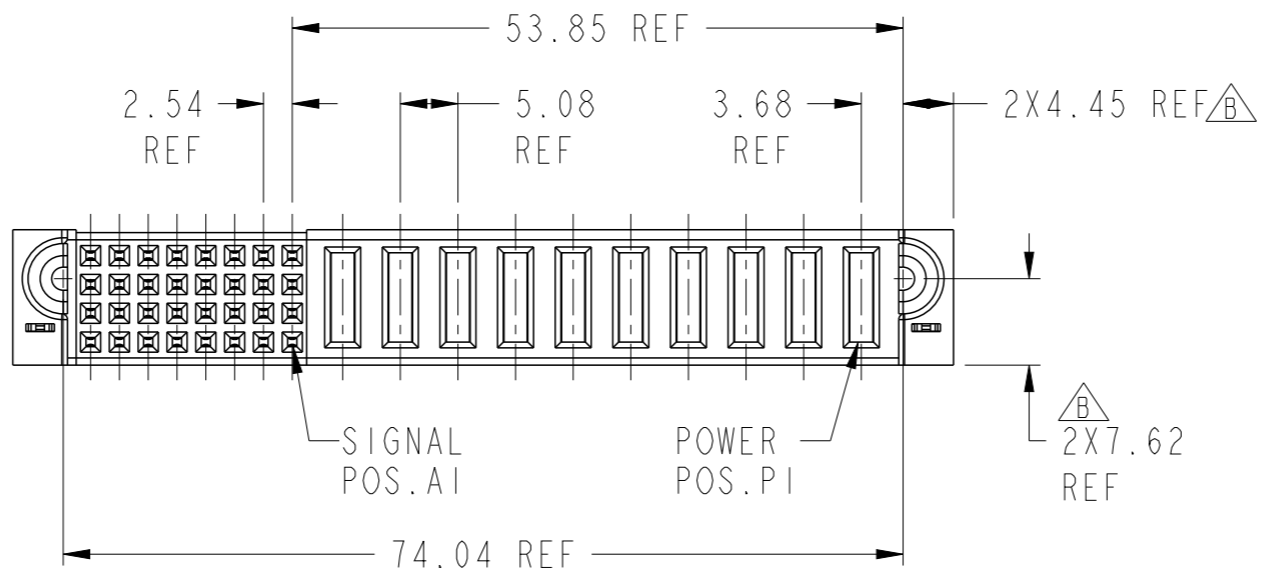
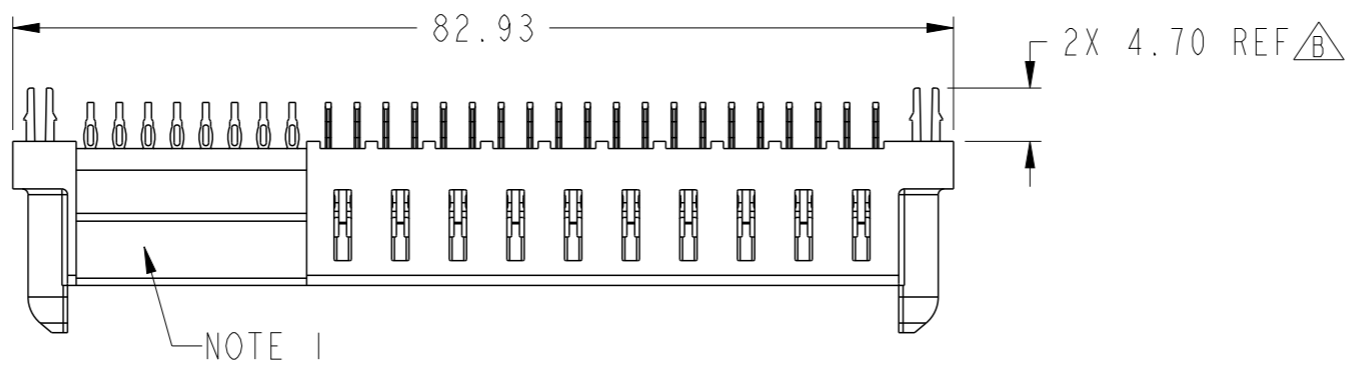
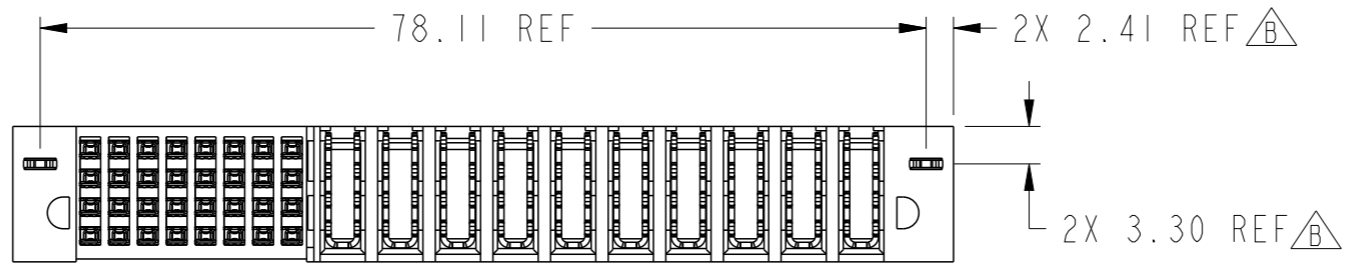


PART NUMBER 10106139-A008001LF

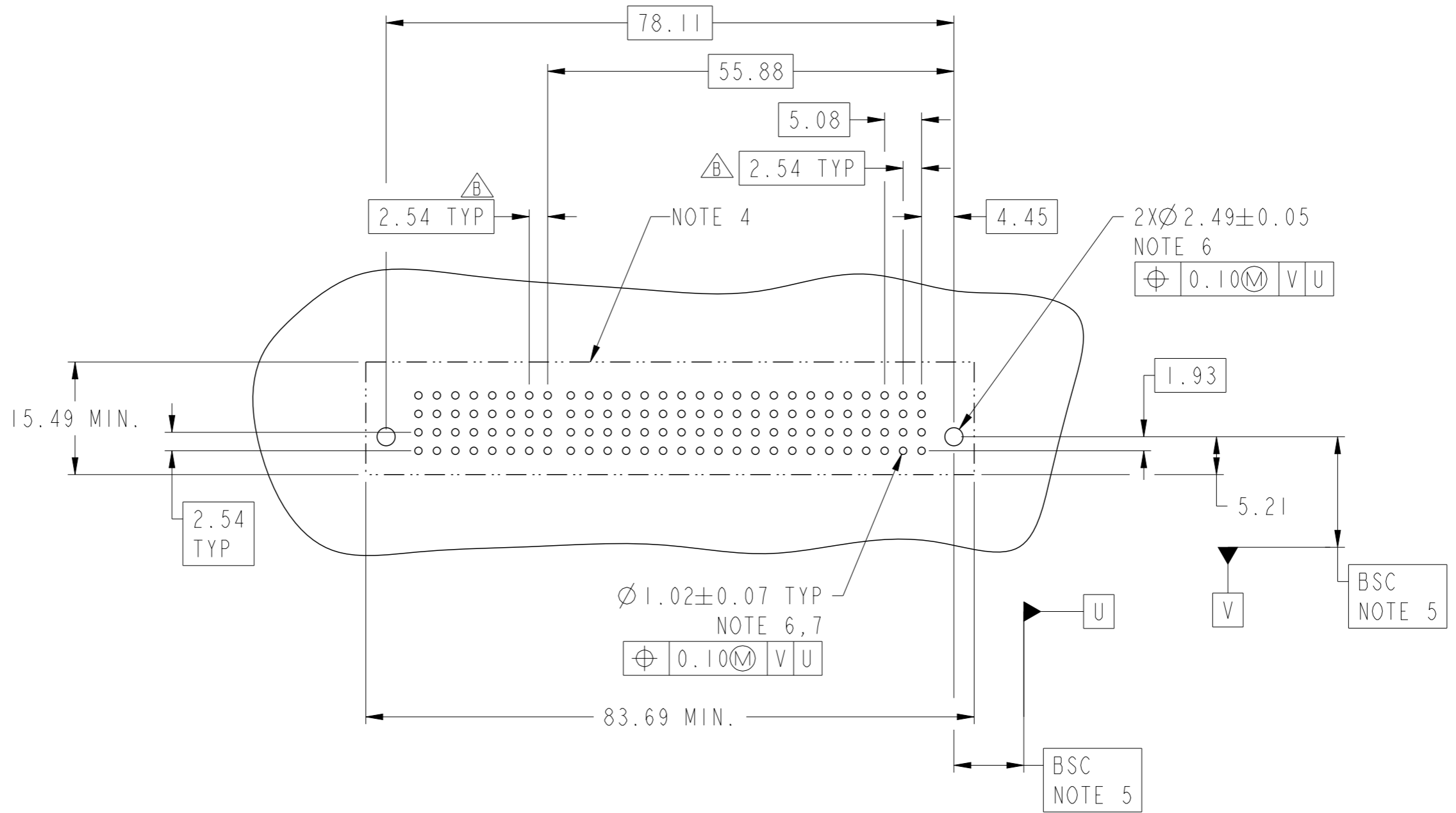


spec ref -		dr Peng-Bing Fu	2011/08/09	projection	mm	size A3	scale 3:2
tolerance std ISO 406 ISO 1101		eng Peng-Bing Fu	2012/11/13		← →	ecn no ELX-DG-013146-1	rel level Released
TOLERANCES UNLESS OTHERWISE SPECIFIED		chr Tian-Xu Huang	2012/11/13				
surface -		appr Pei-Ming Zheng	2012/11/13	product family PwrBlade+	rev B		
ISO 1302	linear	0.X	±0.50	www.fci.com	cat. no. -	Product - Customer Drw	sheet 1 of 3
		0.XX	±0.25				
		0.XXX	±0.10				
	angular	0°	±2°	10HDP + 32S VERTICAL PF RECEPTACLE		dwg no 10106139-A008001	

Copyright FCI. FCI

PRODUCT NUMBER	ROWS	SIGNAL								HIGH POWER							
		8	7	6	5	4	3	2	1	P10	P9	P8	P7	P6	P5	P4	P3
10106139-A008001LF	D	S								H							
	C	S								H							
	B	S								H							
	A	S								H							

CODE	DESCRIPTION
H	STD HIGH POWER CONTACT
S	STD SIGNAL CONTACT
HA	METAL HOLD DOWN



Copyright FCI.

dr	Peng-Bing Fu	2011/08/09	projection	mm	size	A3	scale	3:2
eng	Peng-Bing Fu	2012/11/13			ecn no			
chr	Tian-Xu Huang	2012/11/13			ELX-DG-013146-1			
appr	Pei-Ming Zheng	2012/11/13	product family	PwrBlade+	rel level		Released	
			title 10HDP + 32S VERTICAL PF RECEPTACLE		dwg no 10106139-A008001		rev B	
www.fci.com			cat. no.		-		Product - Customer Drw	
			3		PDS: Rev :B		STATUS:Released	
			2		Printed: Nov 14, 2012		sheet 2 of 3	

NOTES:

- 1) "FCI", PART NUMBER AND DATE CODE TO BE MARKED ON THIS SURFACE.
THE P/N CAN BE OMITTED IF THERE IS NOT ENOUGH SPACE ON THIS SURFACE.
- 2) MATERIALS:
-HOUSING - GLASS FILLED WITH HIGH TEMP THERMOPLASTIC, UL94V-0.
-SIGNAL CONTACT - COPPER ALLOY.
-POWER CONTACT - HIGH CONDUCTIVITY COPPER ALLOY.
- 3) PLATING SPECIFICATION REFER TO FCI 10116351.
- 4) DENOTES CONNECTOR KEEP OUT ZONE.
- 5) DATUM AND BASIC DIMENSIONS WERE ESTABLISHED BY CUSTOMER.
- 6) ALL HOLE DIAMETERS ARE FINISHED HOLE SIZES.
- 7) 1.15 ± 0.025 MM DRILLED HOLE PLATED WITH 0.00762MM MIN Sn
OVER 0.0254-0.0762MM Cu PLATING TO ACHIEVE A 1.02 ± 0.07 MM HOLE.
- 8) PRODUCT SPECIFICATION REFER TO FCI GS-12-658.
APPLICATION SPECIFICATION REFER TO FCI GS-20-141.
PRODUCT PACKAGED IN TRAYS, REFER TO FCI GS-14-1502.
- 9) A $\triangle B$ SYMBOL WILL BE NEXT TO ANY DIMENSION, VIEW, OR NOTE WHICH HAS BEEN MODIFIED WITH THE CURRENT DRAWING REVISION.



Copyright FCI.

dr	Peng-Bing Fu	2011/08/09	projection 	mm 	size	A3	scale	1:1
eng	Peng-Bing Fu	2012/11/13			ecn no	ELX-DG-013146-1		
chr	Tian-Xu Huang	2012/11/13			rel level	Released		
appr	Pei-Ming Zheng	2012/11/13	product family	PwrBlade+				
		title 10HDP + 32S VERTICAL PF RECEPTACLE			dwg no 10106139-A008001	rev B		
www.fci.com		cat. no.	-		Product - Customer Drw		sheet 3 of 3	