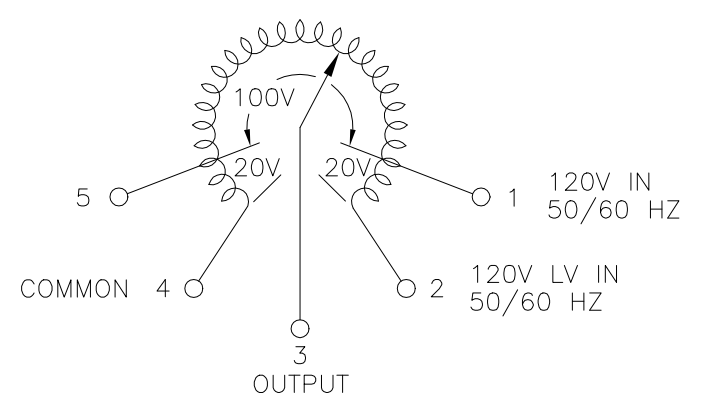
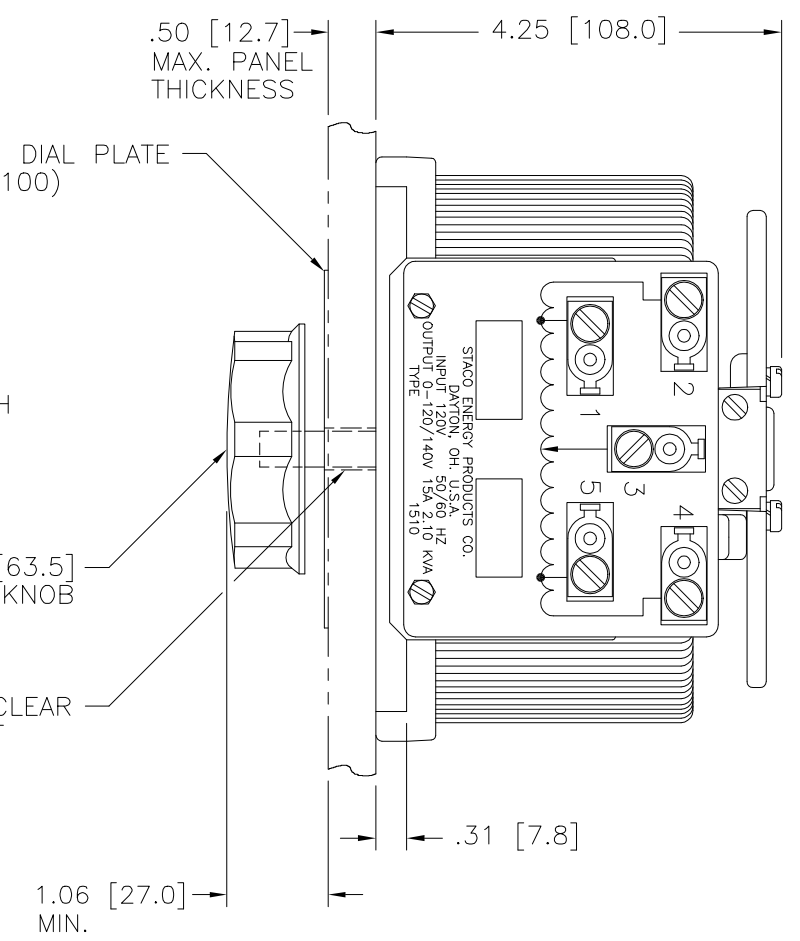
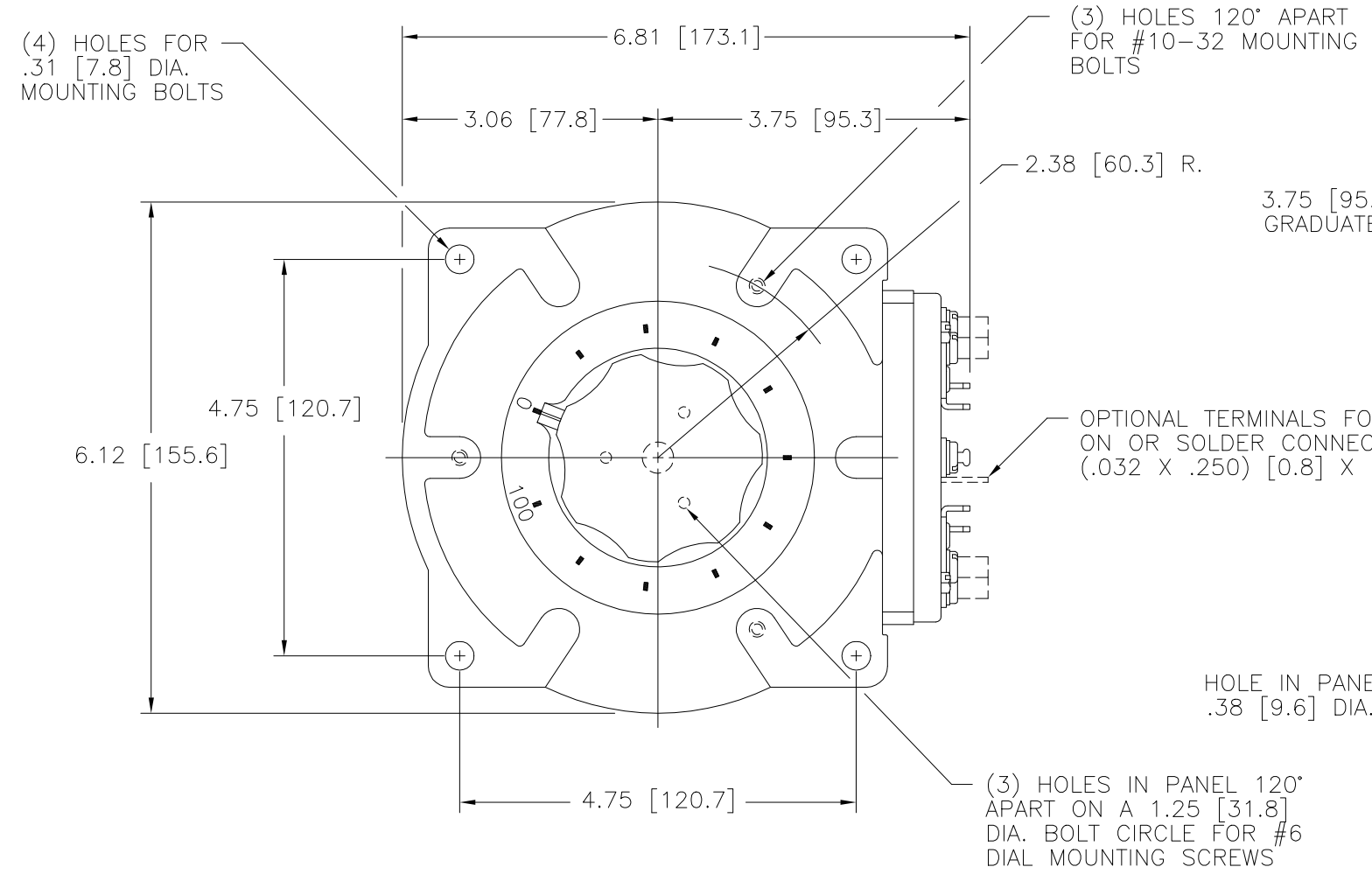


DWG. NO.	031-3601		
REVISIONS			
SYM.	E.C.N.	DATE	APVD.
A	21675	12/03/91	
REVISED & REDRAWN			
B	24898	7/18/02	
REVISED SILKSCREEN			
C	25108	4/22/03	
ADDED 2.38 R DIM			



SCHEMATIC
VIEW FROM BASE END

SPECIFICATIONS											
WIRING	INPUT		OUTPUT				SHAFT ROTATION TO INCREASE VOLTAGE	TERMINAL CONNECTIONS			
	VOLTS	HERTZ	VOLTS	CONSTANT CURRENT LOAD		CONSTANT IMPEDANCE LOAD		FOR INCREASING VOLTAGE AS VIEWED FROM BASE END			
				MAX. AMPS	MAX. KVA	MAX. AMPS		MAX. KVA	INPUT	JUMPER	OUTPUT
SINGLE PHASE	120	50/60	0-120	15	1.80	20	2.40	CW	2-4	---	4-3
			0-140	15	2.10	---	---	CCW	2-4	---	2-3
								CW	1-4	---	4-3
								CCW	5-2	---	2-3

UNLESS OTHERWISE SPECIFIED, TOLERANCE IS ± DECIMALS .XX .XXX .005 HOLES .002 ANGLES 1° DRAFT 1-1/2° UNITS IN [mm]

MATERIAL: ALL DIMENSIONS APPLY AFTER PLATING

TITLE: SPEC. CONTROL DRAWING VARIABLE TRANSFORMER MODEL 1510

STACO ENERGY PRODUCTS CO. A Components Corporation of Ametec Company 302 Geddes Boulevard Dayton, Ohio 45424 USA

DRAWN BY	DATE	FIRST USED ON	DO NOT SCALE DWG.
K. TOLLIVER	11/25/91	1510	
CHECKER	DATE	WEIGHT APPROX.	CAGE CODE
		15.75 LBS	83008
ENGINEER	DATE	SCALE	DWG. NO.
		1=1	031-3601

SHEET 1 OF 1