



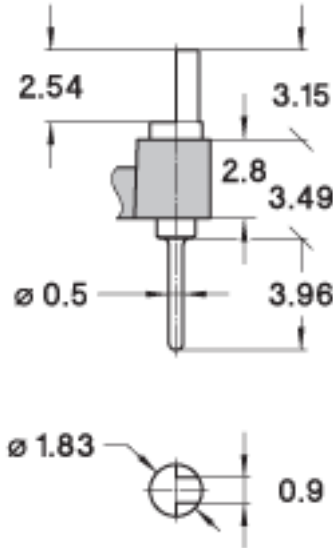
preci-dip

DIL SOCKETS

SERIES
160

160-PP-XXX-00-001101
2.54 mm, Solder tail, Slotted head

DIL headers with slotted head to accept wires or component leads



TECHNICAL SPECS.:

Insulator	Black glass filled polyester PCT-GF30-FR
Flammability	UL 94V-O
Contact	Brass CuZn36Pb3 (C36000)
Connecting pin Ø	0.5 mm
Mechanical life	Min. 100 cycles
Rated current	1 A
Dielectric strength	Min. 1000 V RMS

ORDERING INFORMATION:

PP Plating code	Termination	Connecting pin
10	Gold 0.25 µm	Gold 0.25 µm
80	Tin	Tin

ADVANCED INFORMATION:

Order Codes	Poles	A	B	C	D	E	See
160-PP-210-00-001101	10	12.6	5.08	7.6			
160-PP-304-00-001101	4	5.0	7.62	10.1			

160-PP-306-00-001101	6	7.6	7.62	10.1
160-PP-308-00-001101	8	10.1	7.62	10.1
160-PP-310-00-001101	10	12.6	7.62	10.1
160-PP-312-00-001101	12	15.2	7.62	10.1
160-PP-314-00-001101	14	17.7	7.62	10.1
160-PP-316-00-001101	16	20.3	7.62	10.1
160-PP-318-00-001101	18	22.8	7.62	10.1
160-PP-320-00-001101	20	25.3	7.62	10.1
160-PP-322-00-001101	22	27.8	7.62	10.1
160-PP-324-00-001101	24	30.4	7.62	10.1
160-PP-328-00-001101	28	35.5	7.62	10.1
160-PP-420-00-001101	20	25.4	10.16	12.6
160-PP-422-00-001101	22	27.8	10.16	12.6
160-PP-424-00-001101	24	30.4	10.16	12.6
160-PP-428-00-001101	28	35.5	10.16	12.6
160-PP-432-00-001101	32	40.6	10.16	12.6
160-PP-610-00-001101	10	12.7	15.24	17.7
160-PP-624-00-001101	24	30.5	15.24	17.7
160-PP-628-00-001101	28	35.5	15.24	17.7
160-PP-632-00-001101	32	40.6	15.24	17.7
160-PP-636-00-001101	36	45.7	15.24	17.7
160-PP-640-00-001101	40	50.8	15.24	17.7
160-PP-642-00-001101	42	53.3	15.24	17.7
160-PP-648-00-001101	48	60.9	15.24	17.7
160-PP-650-00-001101	50	63.5	15.24	17.7
160-PP-652-00-001101	52	66.0	15.24	17.7
160-PP-950-00-001101	50	63.5	22.86	25.3
160-PP-952-00-001101	52	66.0	22.86	25.3
160-PP-964-00-001101	64	81.2	22.86	25.3

TECHNICAL ASSISTANCE

GENERAL SPECIFICATIONS:

The values listed below are general specs applying for PRECI-DIP DIL sockets. Please see individual catalog page for additional and product specific technical data.

Operating temperature range	-55 ... +125 °C
Climatic category (IEC)	55/125/21
Operating humidity range	annual mean 75 %
Max working voltage	100 VRMS/150 VDC

PRECI-DIP sockets are recognized by Underwriters Laboratories Inc. and listed under "Connectors for Use in Data, Signal, Control and Power Applications", File Nr. E174442.

MECHANICAL CHARACTERISTICS:

Clip retention	Min. 40 N (no displacement under axial force applied)
Contact (sleeve / clip) retention	Min. 3.3 N acc. to MIL-DTL-83734, pt 4.6.4.2

ELECTRICAL CHARACTERISTICS:

Insulation resistance between any two adjacent contacts	Min. 10'000 M at 500 V AC
Capacitance between any two adjacent contacts	Max. 1 pF
Air and creepage distances between any two adjacent contacts	Min. 0.6 mm (Min. 0.2 mm FOR SHRINK-DIP SOCKETS)

ENVIRONMENTAL CHARACTERISTICS:

The sockets withstand the following environmental tests without mechanical and electrical defects:

- Dry heat steady state IEC 60512-11-9.11i / 60068-2-2.Bb: 125 °C, 16h
- Damp heat cyclic IEC 60512-11-12.11m / 60068-2-30.Db: 25/55 °C, 90 – 100 %rH, 1 cycle of 24 h
- Cold steady state IEC 60512-11-10.11j / 60068-2-1.A: -55 °C, 2 h
- Thermal shock IEC 60512-11-4.11d / 60068-2-14.Na: -55/125 °C, 5 cycles 30 min
- Sinusoidal vibrations IEC 60512-6-4.6d / 60068-2-6.Fc: 10 to 500 Hz, 10 g, 1 octave/min, 10 cycles for each axis
- Shock IEC 60512-6-3.6c / 60068-2-27.Ea: 50 g, 11 ms, 3 shocks in three axis

During the above two tests no contact interruption >50 ns does appear.

- Solderability J-STD-002A, Test A, 245°C, 5 s solder alloy SnAg3.8Cu0.7
- Resistance to soldering heat J-STD-0020C, 260°C, 20 s
- Moisture sensitivity J-STD-020C level 1
- Resistance to corrosion :
 - 1) Salt spray test IEC 60068-2-11.Ka: 48 h
 - 2) Sulfur dioxide (SO₂) test IEC 60068-2-42 Kc: 96 h at 25 ppm SO₂, 25 °C, 75 %rH
 - 3) Hydrogen sulfide (H₂S) test IEC 60068-2-43 Kd: 96 h at 12 ppm H₂S, 25 °C, 75 %rH

SOLDERLESS COMPLIANT PRESS-FIT CHARACTERISTICS:

PRESS-FIT CHARACTERISTICS MEASURED ACC. TO IEC 60352-5

- Press-in force: 90 N max. (at min. hole dia.) / 65 N typ.
- Push-out force: 30 N min. (at max. hole dia.) / 50 N typ.
- Push-out 3rd cycle: 20 N min. (at max. hole dia.)

PCB HOLE DIMENSIONS

- 2.54 mm grid: Finished hole Ø: 1 + 0.09/-0.06 mm | Drilled hole Ø: 1.15 ± 0.02 mm

PCB HOLE PLATING

- PCB surface finish: Hole plating
- Tin: 5-15 μm tin over min. 25 μm copper
- Copper: min. 25 μm copper
- Gold over nickel: 0.05-0.2 μm gold over 2.5-5 μm nickel over min. 25 μm copper