

4

3

2

1

THIS DRAWING IS UNPUBLISHED. RELEASED FOR PUBLICATION

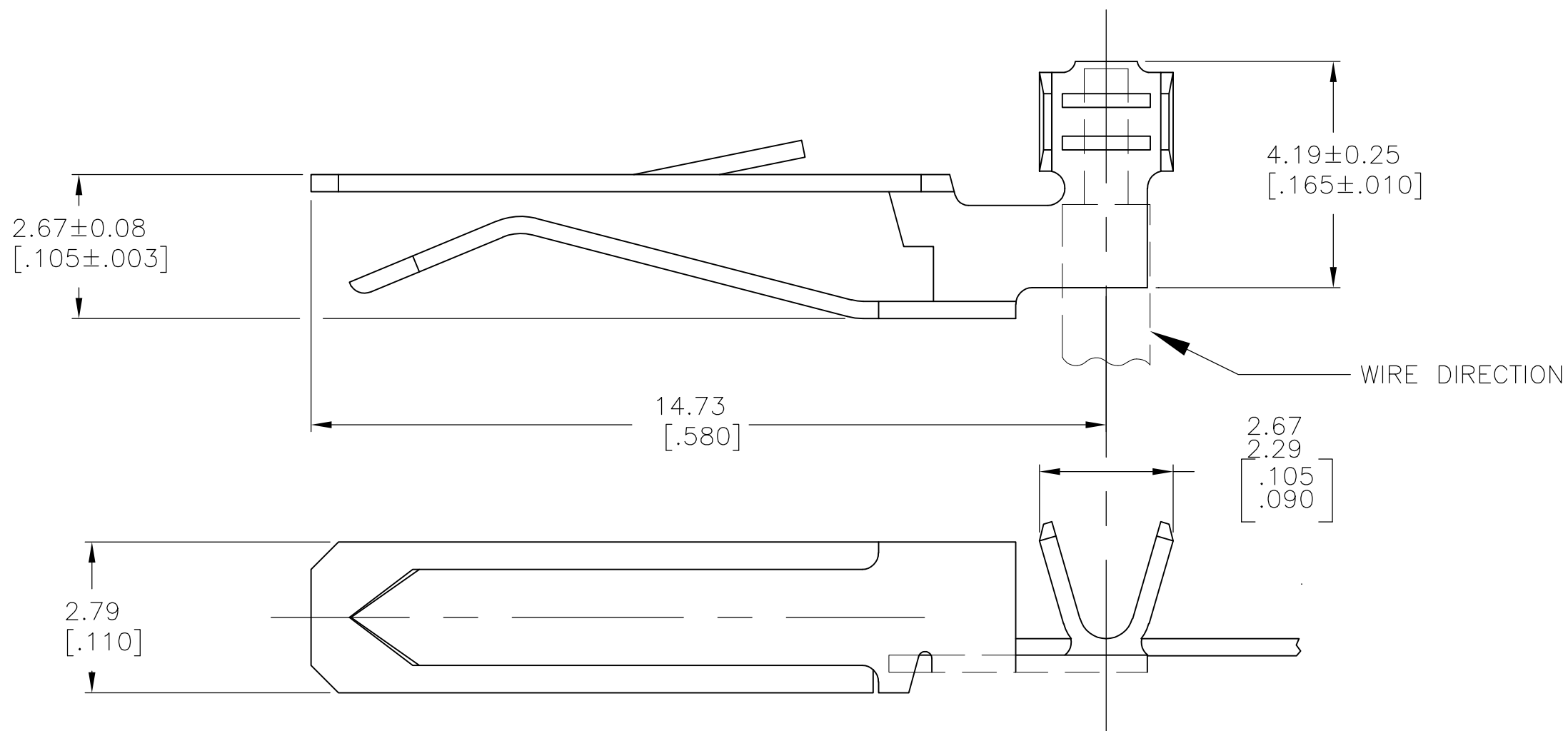
© COPYRIGHT BY TYCO ELECTRONICS CORPORATION. ALL RIGHTS RESERVED.

LOC CM DIST 0

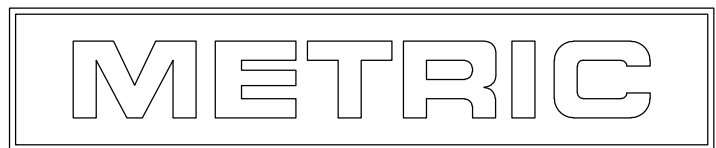
REVISIONS

P	LTR	DESCRIPTION	DATE	DWN	APVD
	J	REVISED PER ECO-07-010173	01MAY07	KW	DB

- 1. DIMENSIONS IN BRACKETS ARE IN INCHES.
- 2. WIRE RANGE: 22-18 AWG (0.3-0.9MM²).



	TIN	640559-3
SUPERSEDED BY 640559-3	TIN-LEAD	640559-1
	FINISH	PART NO



THIS DRAWING IS A CONTROLLED DOCUMENT.		DWN T.BECK 19SEP91	Tyco Electronics Corporation Harrisburg, PA 17105-3608	
DIMENSIONS: mm [INCHES]	TOLERANCES UNLESS OTHERWISE SPECIFIED:	CHK R.SWING 19SEP91	NAME CONTACT, CRIMP SNAP-IN, LOOSE PIECE, MTA-156	
	0 PLC ± - 1 PLC ± - 2 PLC ± - 3 PLC ± 0.13 [.005] 4 PLC ± - ANGLES ± -	APVD T.WERT 19SEP91	PRODUCT SPEC	RESTRICTED TO
MATERIAL 0.30 [.012] THK COPPER ALLOY	FINISH 0.00203 [.000080] MIN THK MATTE TIN	APPLICATION SPEC	SIZE A3	CAGE CODE 00779
		WEIGHT -	DRAWING NO C-640559	
CUSTOMER DRAWING			SCALE 10:1	SHEET 1 OF 1
			REV J	