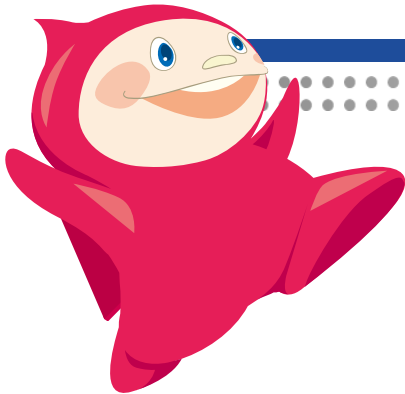


Application Notes

EPM Series

Energy-Saving Power Module Series



EPM Series

Energy-Saving Power Module Series

Rev.3.1
May, 2013

Outline

The EPM Energy-Saving Power Module Series is a series of energy-saving switching power modules with built-in switching transformers, control ICs, control circuits and switching elements (FET).

Attaching the input noise filter, the input rectifier diode and the output smoothing capacitor externally enables the easy creation of power switching with high-efficiency, low-standby power.

Features

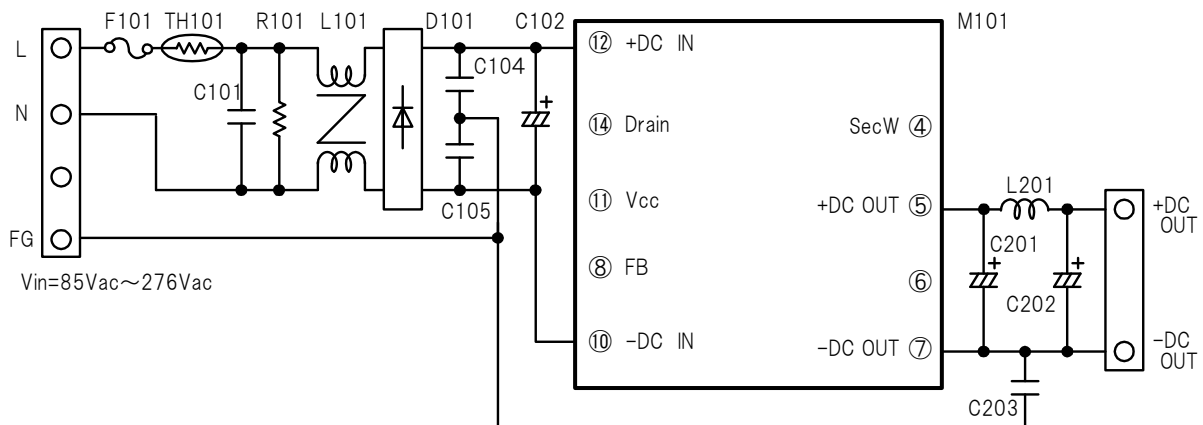
- Quasi-resonant operations for high efficiency.
- Operations using both frequency reduction and bursts for generation of low-standby power.
- Supports worldwide input and PFC output voltages (Vin: DC110V to 450V)
- Reinforced insulation between Primary and Secondary (AC3000V guaranteed for one minute).
- Resin filling is available to reduce audible noise.
- Compliant with all required safety standards for information equipment, AV equipment, industrial equipment, and home appliance equipment.
- Various built-in protection functions (overcurrent, overvoltage and overheating protection).

1. Selecting Externally Connected Equipment

The example of application circuits and parts value which are indicated to this application note aim at assistance of a design. Therefore, external parts variation or user operating conditions are not fully taken into consideration. Please take parts variation, operating conditions into consideration when designing.

1.1 Application Circuits

● With FG (Class I Power Supply)



● Without FG (Class II Power Supply)

