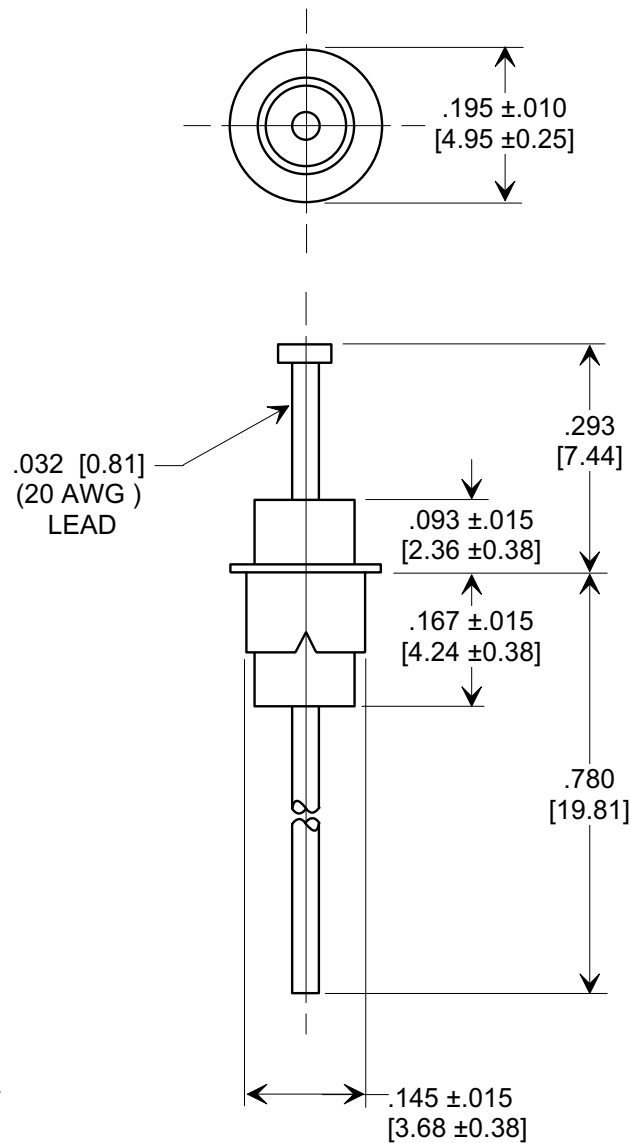
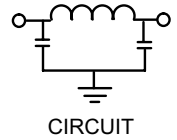
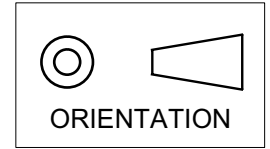


MARKETING SALES DRAWING
DIMENSIONS IN INCHES - DO NOT SCALE THIS DRAWING
DIMENSIONS IN METRIC - []

Electrical Testing
per Tusonix standard
test plans and Mil-Std-202
Test Methods.



NOTES:

- TUSONIX STANDARD PART NUMBER: 4101-002.
TUSONIX RoHS COMPLIANT PART NUMBER: 4101-002 LF.
CUSTOMER MUST SPECIFY STANDARD OR RoHS PART NUMBER WHEN ORDERING.
- RoHS COMPLIANT PART MARKED WITH GREEN DOT FOR IDENTIFICATION.

MIN. CAP. (pF)	WORKING VOLTAGE (WVdc)		CURRENT Idc.	I.R. MIN. @ 100 (VDC.)	DWV (VDC)	MINIMUM NO LOAD INSERTION LOSS (dB) AT 25°C PER MIL-STD-220			
	85°C	125°C				10MHz	100MHz	1GHz	10GHz
1750	250	125	10A	10 G Ω	500	5	50	60	60

X-2015 Rev-0	REVISION RECORD		--TOLERANCES-- Unless Otherwise Specified	Title	
	0	Original Release C.O.		EYELET STYLE EMI FILTER	
	1	DRAWING REVISED LE 12-9-83			
	2	WAS SK6644-070-S LE 1-13-84 DIMS. AND TOL. REVSD., DWG. RELEASED LE 1-8-85			
3	C.O. 1653	DECIMAL ± .031 [0.79]	Drawn E.C. 02-26-97		
4	CURRENT UNIT "A" ADDED L.E. 8-20-85		Scale 4 X		
5	C.O. 2595 RDRWN TO COMP. FRMT., RMVD WSHRS, CHGD DIMS. .093 WS .113, .167 WS .177 EC 2-26-97	ANGLES ±	Approved T.C. 2-26-97		
6	970224-6 ADDED RED EPOXY COATING. S.M. 07-15-98		TUSONIX TUCSON, ARIZONA		
7	19980715-6-01 ADDED METRIC, NOTES, CIRCUIT I.R. & DWV. S.M. 03-01-05	A			4101-002
8	20050223-5-04 NOTE 1 REV'D (2) SPACES ADDED BETWEEN 4:101-0002 AND LF L.E. 03-14-05				
	20050314-1-01				