

Class II 63W LED Controlgear : PA-1650-83 Series

Product Features

- Universal AC Input
- High Power Factor
- Low Total Harmonic Distortion
- Short Circuit / Open Circuit / Over Voltage / Over Temperature Protections
- Suitable for Dry & Damp Location
- Adjustable Output Current by Dimming Input
- RoHS Compliant

AC Input / DC Output

• AC Input Voltage	100 ~ 305Vac (110 ~ 277Vac)
• AC Input Frequency	47 ~ 63Hz (50~60Hz)
• Max. Input Current @ 110Vac (60Hz)	1.0A
• Min. PF @ 230Vac (50Hz) / 24V Output	0.95
• Min. PF @ 230Vac (50Hz) / 18V Output	0.92
• Min. PF @ 277Vac (60Hz) / Output > 30W	0.9
• Max. THD @ 110~277Vac / Output > 30W	20%
• Min. Eff. @ 110~277Vac / 24V Output	85%
• Turn On Delay Time	<1 seconds
• DC Output Current	2640mA
• Line Regulation	±3%
• Load Regulation	±5%
• DC Output Voltage Range	18 ~ 24V
• Ripple Current	±20%
• DC Output Isolation	yes

EMC

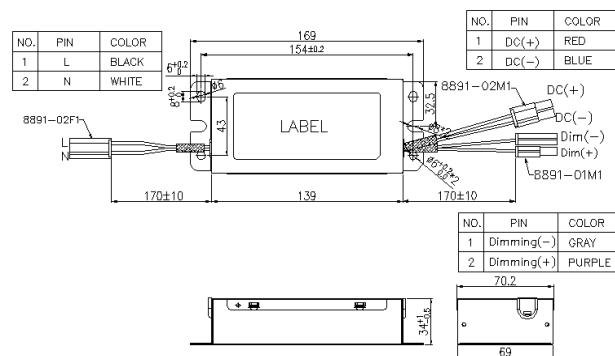
• EMI	FCC Class A
• Harmonic Current Emissions	EN61000-3-2
• Voltage Fluctuations & Flicker	EN61000-3-3
• Electrostatic Discharge (ESD)	EN61000-4-2 ±4KV (Contact), ±8KV (Air)
• RS Immunity Test	EN61000-4-3 80MHz ~ 1GHz, 3V/m, 80% AM (1KHz)
• Electrical Fast Transient	EN61000-4-4 ±1KV for AC power line, ±0.5KV for DC / signal line
• Lighting Surge	EN61000-4-5 ±4KV (Com.), ±4KV (Dif.)
• CS Immunity Test	EN61000-4-6 0.15MHz ~ 80MHz, 3V, 80% AM (1KHz)
• Voltage Dips & Short Interruptions	EN61000-4-11 30%, 25 cycles voltage reduction 100%, 0.5 cycles voltage reduction

Operating Environments / Reliability

• Operating Temperature / Humidity	-40 ~ 60°C / 10 ~ 95% RH
• Storage Temperature / Humidity	-40 ~ 80°C / 10 ~ 95% RH
• Vibration (with shipping container)	1.146Grms / 5~200Hz / six sides 30 minutes / side
• Vibration (operation)	6Grms / 10~1000Hz / X/Y/Z axis 15 minutes / axis
• MTBF Life (Note 3)	50,000 Hrs while Tc ≤ 75°C 100,000 Hrs while Tc ≤ 65°C 85°C
• Tc	free air convection
• Cooling	meet Class A sound rating
• Sound Level	

Mechanical

• AC Input Terminal	170mm / black(L) & white(N) color / UL1316
• DC Output Terminal	170mm / red(DC +) & blue(DC -) color / UL1316
• Dimming Input Terminal	170mm / purple(dim +) & gray(dim -) color / UL1316
• Weight (typ.)	730g
• Outline Dimension	169mm(L) * 70.2mm(W) * 34mm(H)



Protections

• OVP or Open Circuit	auto recovery, 30V max.
• SCP	auto recovery
• OTP	latch off

Safety / Certifications

• Hi Pot (AC I/P to Case)	3750Vac / 10mA / 60Sec.
• Hi Pot (AC I/P to O/P)	3750Vac / 10mA / 60Sec.
• Insulation (AC I/P to O/P)	>20MΩ, 500Vdc
• Complied with UL8750, 1st Edition	
• Complied with UL60950-1, 2nd Edition	
• Complied with CAN/CSA-C22.2 No.60950-1-07, 2nd Edition	



Dimming Input

- Support 2 in 1 Dimming Function
- Resistor Dimming Range (10~100K)
- Voltage Dimming Range (1~10V)
- Resistor Dimming Reference Table

Resistor Dimming	63.4KΩ ±1%
Output Current	1700mA
Tolerance	±10%

• Voltage Dimming Reference Table	
Voltage Dimming	6.2V
Output Current	1700mA
Tolerance	±10%

Notes :

- (1) above definition is based on 25°C ambient if not specified
- (2) this LED driver is designed and intended for operating with LED load only
- (3) MTBF evaluation is based on SR-332 method, 115Vac/60Hz, max load
- (4) to measure efficiency after burn-in 30 minutes with full output load
- (5) recommend to install the controlgear inside the enclosure