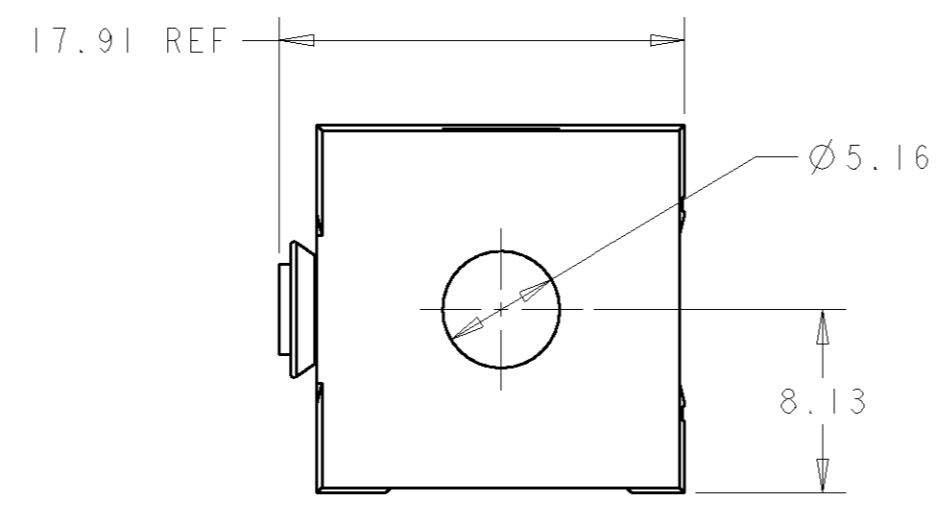
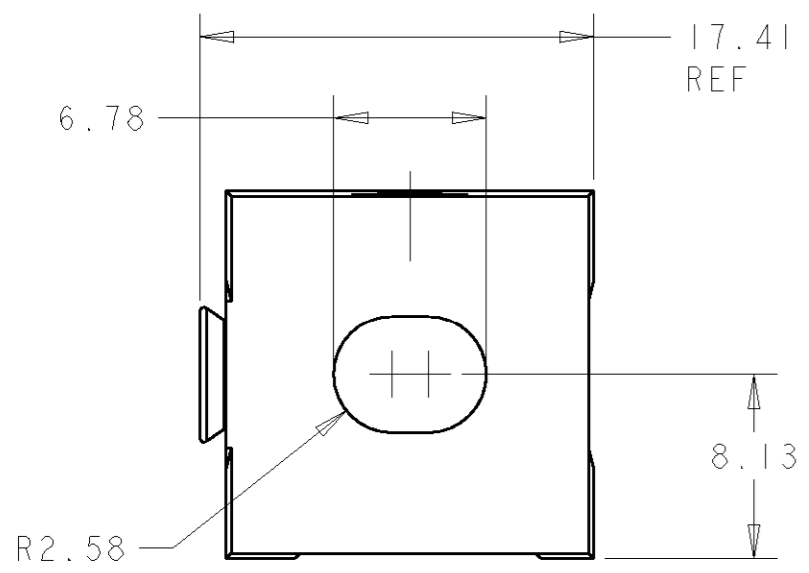
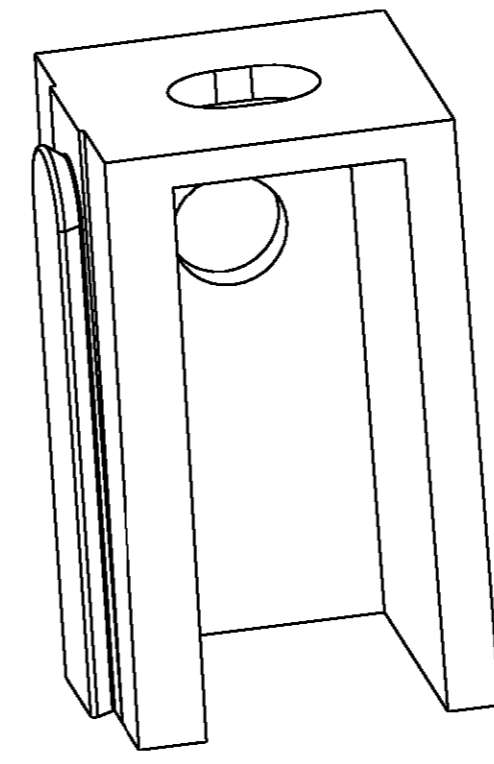


THIS DRAWING IS UNPUBLISHED. RELEASED FOR PUBLICATION 20  
 © COPYRIGHT 20 BY TYCO ELECTRONICS CORPORATION. ALL RIGHTS RESERVED.

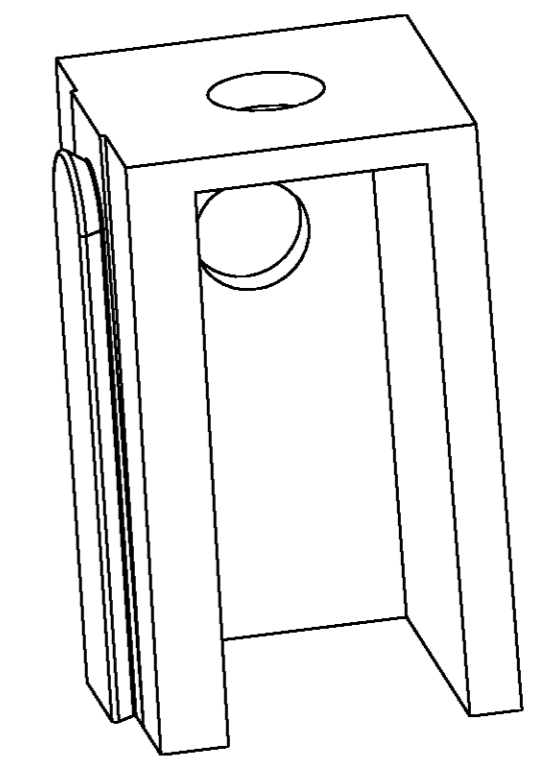
LOC	DIST	REVISIONS					
CM	00	P	LTR	DESCRIPTION	DATE	DWN	APVD
		O		RELEASED PER 063B-0026-03	19-FEB-03	KW	JE
		A		REVISED PER 063B-0057-03	11-APR-03	KW	JE



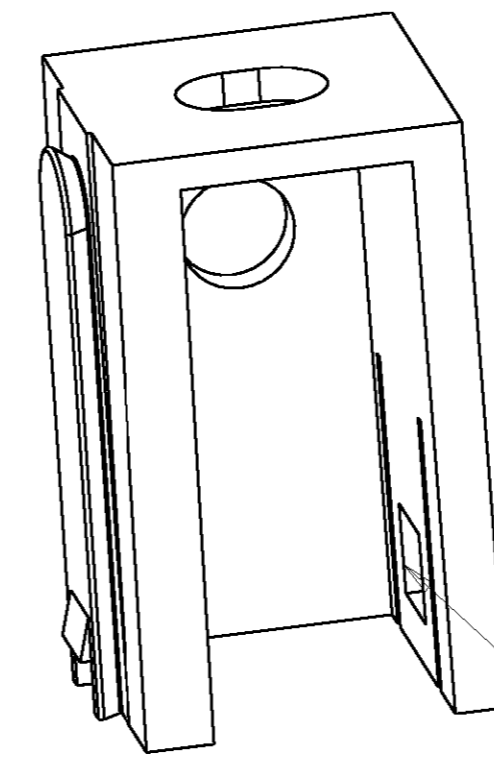
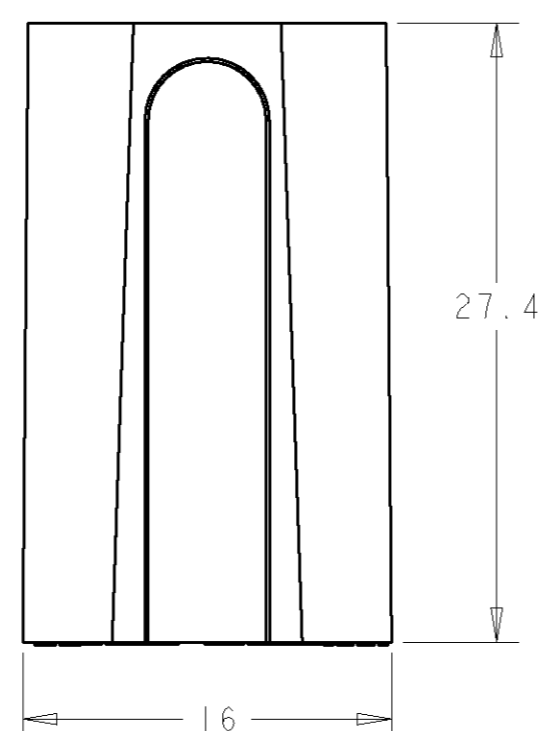
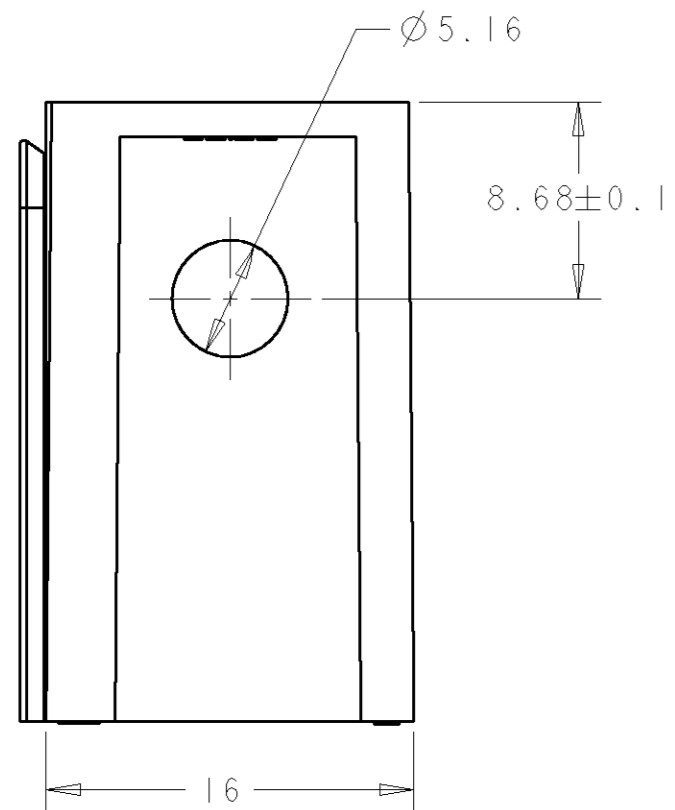
TOP VIEW OF 1445729-4  
 SHOWING THE CIRCULAR  
 MOUNTING HOLE ON 1445729-2  
 AND 1445729-4



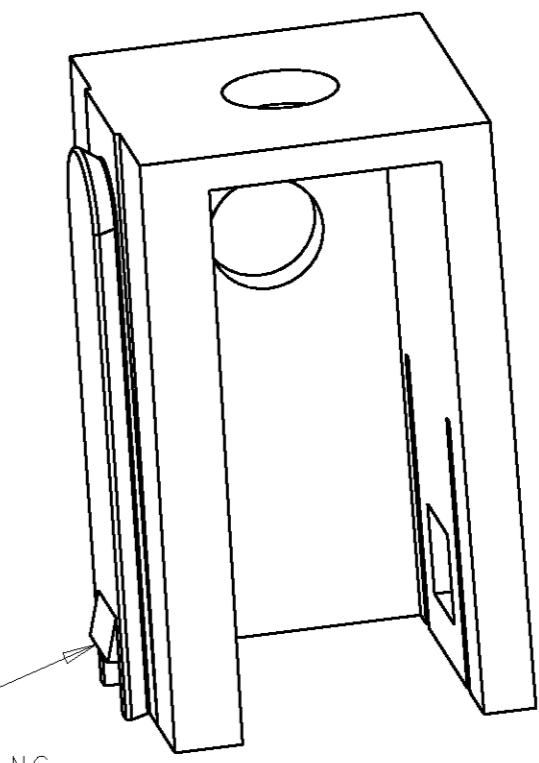
1445729-1  
 WITHOUT LOCKING FEATURE,  
 OVAL MOUNTING HOLE



1445729-2  
 WITHOUT LOCKING FEATURE,  
 CIRCULAR MOUNTING HOLE



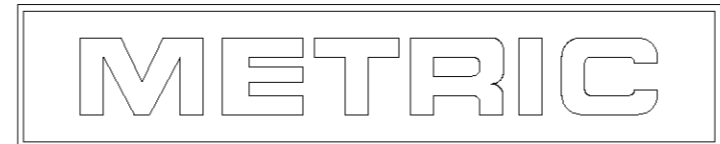
1445729-3  
 WITH LOCKING FEATURE,  
 OVAL MOUNTING HOLE



1445729-4  
 WITH LOCKING FEATURE,  
 CIRCULAR MOUNTING HOLE

1. MATERIAL: POLYCARBONATE UL94V0.
2. COLOR: BLUE.
3. PN 1445729-1 IS SHOWN. PLEASE REFERENCE ISOMETRIC VIEWS FOR ADDITIONAL PRODUCT OFFERINGS.

DESCRIPTION	PART NUMBER
WITH LOCKING FEATURE, ROUND MOUNTING HOLE	1445729-4
WITH LOCKING FEATURE, OVAL MOUNTING HOLE	1445729-3
WITHOUT LOCKING FEATURE, ROUND MOUNTING HOLE	1445729-2
WITHOUT LOCKING FEATURE, OVAL MOUNTING HOLE	1445729-1



THIS DRAWING IS A CONTROLLED DOCUMENT FOR TYCO ELECTRONICS CORPORATION. IT IS SUBJECT TO CHANGE AND THE CONTROLLING ENGINEERING ORGANIZATION SHOULD BE CONTACTED FOR THE LATEST REVISION.		DWN	BH	04OCT01	Tyco Electronics Harrisburg, PA 17105-3608							
DIMENSIONS:		CHK	KAK	04OCT01								
TOLERANCES UNLESS OTHERWISE SPECIFIED:		APVD	KAK	04OCT01								
mm		PRODUCT SPEC	-									
0 PLC ±0.13 1 PLC ±0.13 2 PLC ±0.13 3 PLC ± 4 PLC ± ANGLES ± FINISH -		APPLICATION SPEC	-		NAME	MOUNTING WING, AMP POWER SERIES 75, SINGLE POLE						
MATERIAL -		WEIGHT	-		SIZE	A2	CAGE CODE	00779	DRAWING NO	1445729	RESTRICTED TO	-
		CUSTOMER DRAWING		SCALE	3:1	SHEET	1	OF	1	REV	A	