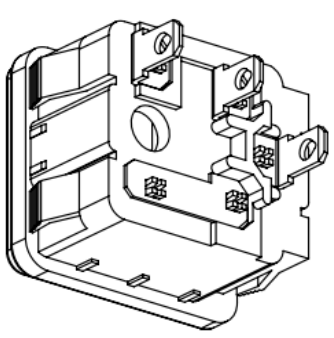
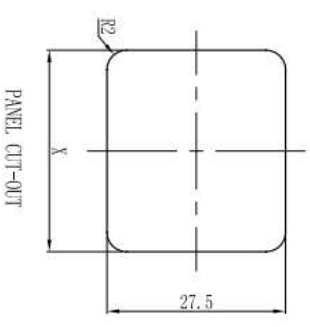
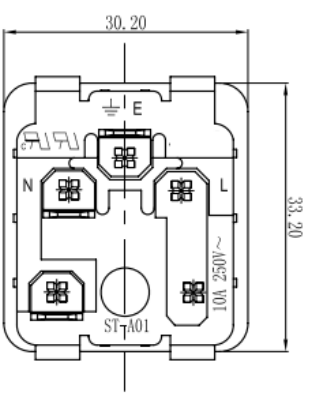
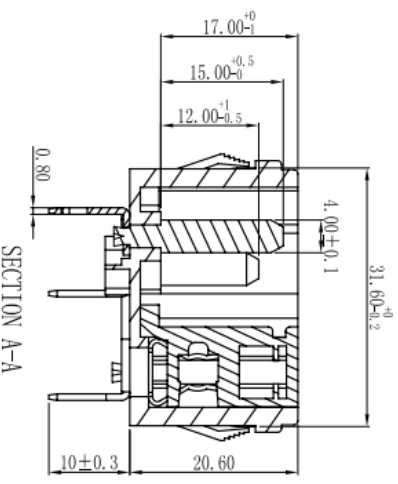


| THICKNESS | X    |
|-----------|------|
| 0.8~1.8   | 31.4 |
| 1.9~3.2   | 31.6 |



**NOTES:**

1. Insulator: PBTUL94V-0 Color: Black
2. Soldering: Alloy Copper Ni PLATING
3. Contact : Alloy Copper Tin PLATING
4. Electrical: 10A/15A 250V~
5. Approval:

PL UL  
 AV UL  
 VDE  
 SEMKO  
 CCC

**RoHS compliant**

| Scale     | 1:1  |  |  |
|-----------|------|--|--|
| TOLERANCE |      |  |  |
| 0-10      | ±0.1 |  |  |
| 10-30     | ±0.2 |  |  |
| 30-100    | ±0.5 |  |  |
| DIM       | TOL  |  |  |
| UNIT      | mm   |  |  |

| Id. | Modification    | Date       | Name     |
|-----|-----------------|------------|----------|
| ①   | Drawn           | 14.12.2007 | N.Schulz |
| ②   | Update          | 08.07.2009 | Dean     |
| ③   | Change of plant | 18.12.2012 | Winnie   |



| 1 | 2 | 3 | 4 | 5 | 6            | 7 |
|---|---|---|---|---|--------------|---|
| A |   |   |   |   | Customer-No. |   |
| B |   |   |   |   | Name         |   |
| C |   |   |   |   | Date         |   |
| D |   |   |   |   | Name         |   |
| E |   |   |   |   | Date         |   |
| F |   |   |   |   | Name         |   |
| G |   |   |   |   | Date         |   |
| H |   |   |   |   | Name         |   |

ASSMANN WSW-No.  
**A-KGS-S/T1F**

Drawing-No.  
**ASS 0889D CO rev03**

Replace SHEET