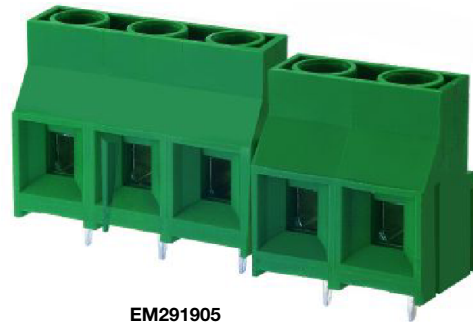


**EM2919 Series**  
**EuroMag Terminal Blocks**  
 9.52 Centers; Modular

**SPECIFICATIONS**

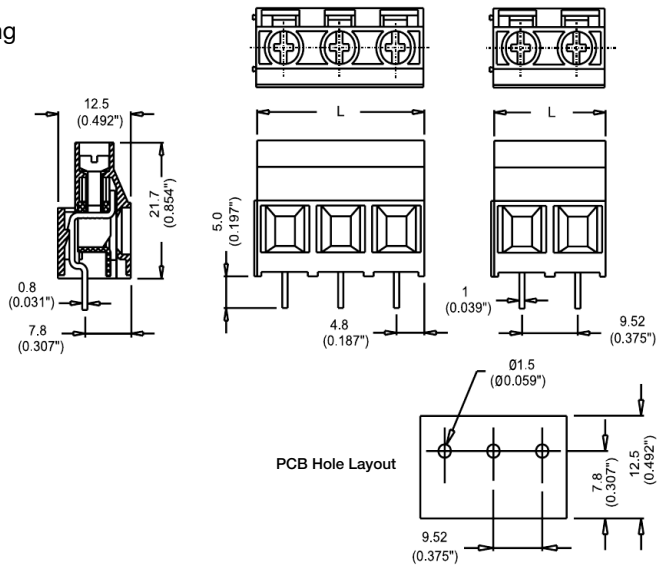
**Rating:** 30A, 600V  
**Center Spacing:** 0.375" (9.52mm)  
**Wire Range:** #10-24 AWG  
**Housing Material:** UL rated 94V0 Thermoplastic  
**Contact Material:** Brass Tin-Plated  
**Cage Material:** Steel, Nickel-Plated  
**Screw Size:** M3.0 Zinc-Plated Steel  
**Operating Temperature:** 105°C (221°F) max., -40°C (-40°F) min.

**Torque Rating:** 9.0 lb-in.  
**Recommended PCB Hole Diameters:** 0.055" (1.40mm)  
**Construction:** Modular design features dovetails for interlocking to achieve longer lengths  
**Agency Information:** cULus File E62622; CE Certified



EM291905

**Dimensions - mm (in)**



Poles	L (mm)	Poles	L (mm)
2	19.04	14	133.28
3	28.56	15	142.80
4	38.08	16	152.32
5	47.60	17	161.84
6	57.12	18	171.36
7	66.64	19	180.88
8	76.16	20	190.40
9	85.68	21	199.92
10	95.20	22	209.44
11	104.72	23	218.96
12	114.24	24	228.48
13	123.76		

To convert to inches, divide by 25.4

**Part Numbering System**



Terminal Blocks:  
Single Row

EuroMag Series  
High Current

Edge Connectors,  
One-Sided Boards

Compliance  
References