

THIS DRAWING IS UNPUBLISHED.

RELEASED FOR PUBLICATION

20

© COPYRIGHT 20 BY -

ALL RIGHTS RESERVED.

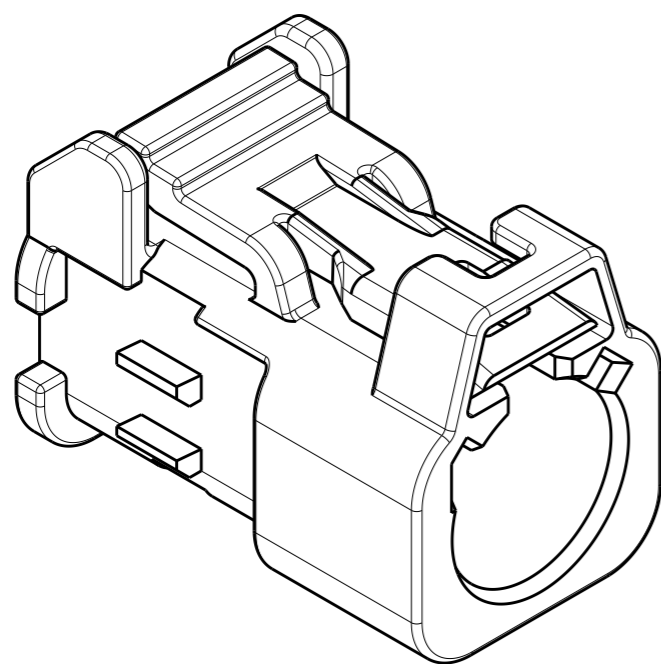
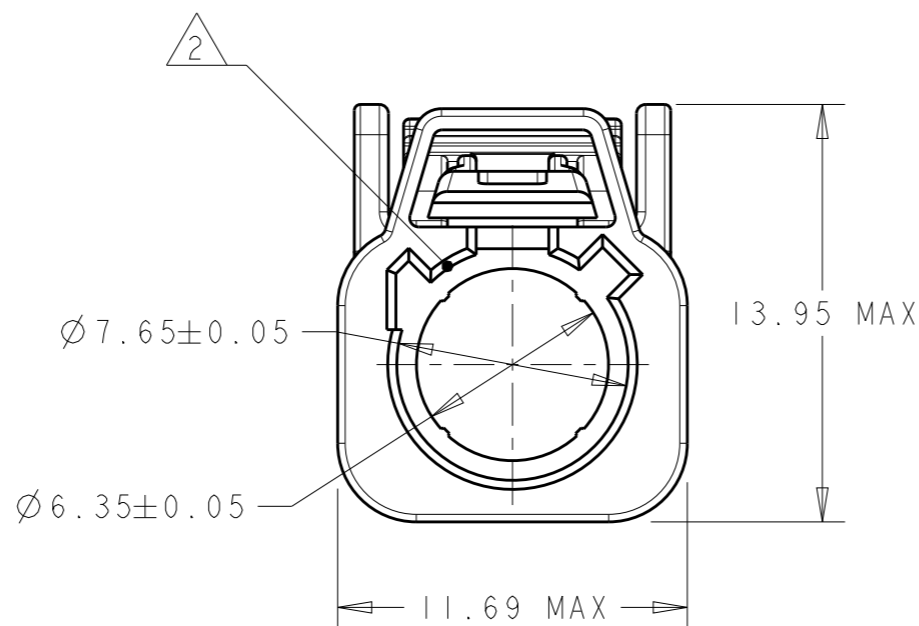
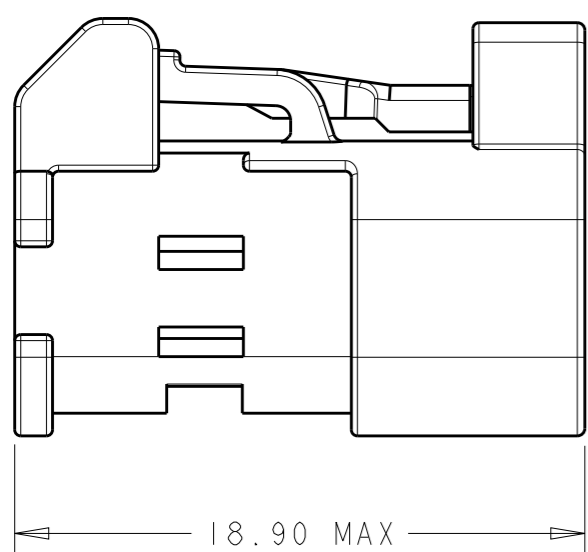
REVISIONS

P	LTR	DESCRIPTION	DATE	DWN	APVD
	D1	REVISED PER ECO-15-015026	19OCT2015	DD	LV
	D2	REVISED PER ECO-16-005357	06APR2016	DD	LV

1 POLYESTER PBT, COLOR: SEE TABLE.

2 PLUG HOUSING ACCEPTS JACK HOUSINGS MEETING DIN 72594-1, ROAD VEHICLES - RADIO FREQUENCY INTERFACE - DIMENSIONS AND ELECTRICAL REQUIREMENTS.

3. SEE INSTRUCTION SHEET 408-10028.



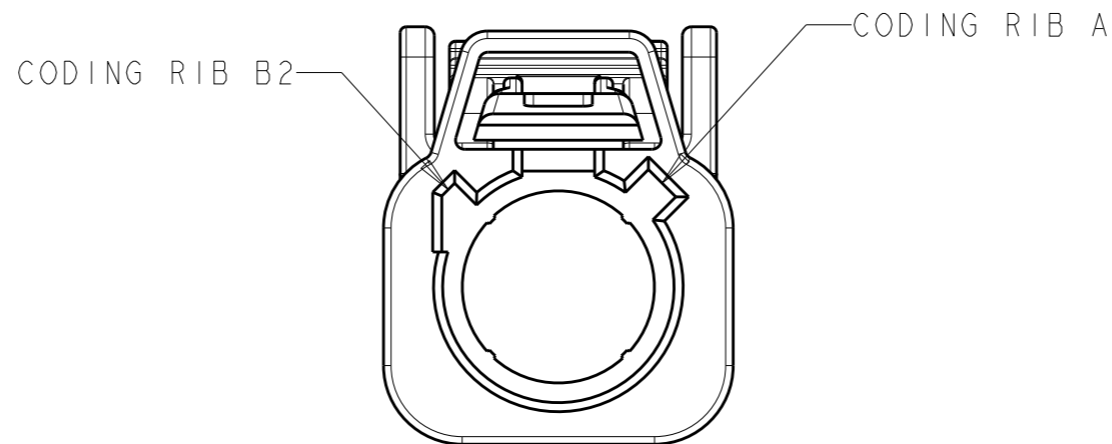
ISOMETRIC VIEW

PER DETAIL M	M	PASTEL ORANGE	1-1438893-2
PER DETAIL K	K	CURRY	1-1438893-0
PER DETAIL I	I	BEIGE	1438893-9
PER DETAIL H	H	HEATHER VIOLET	1438893-8
PER DETAIL G	G	BLUE GRAY	1438893-7
PER DETAIL F	F	NUT BROWN	1438893-6
PER DETAIL E	E	LEAF GREEN	1438893-5
PER DETAIL D	D	CLARET VIOLET	1438893-4
PER DETAIL C	C	SIGNAL BLUE	1438893-3
PER DETAIL B	B	SIGNAL WHITE	1438893-2
KEYING	CODING REF	HOUSING COLOR	PART NUMBER

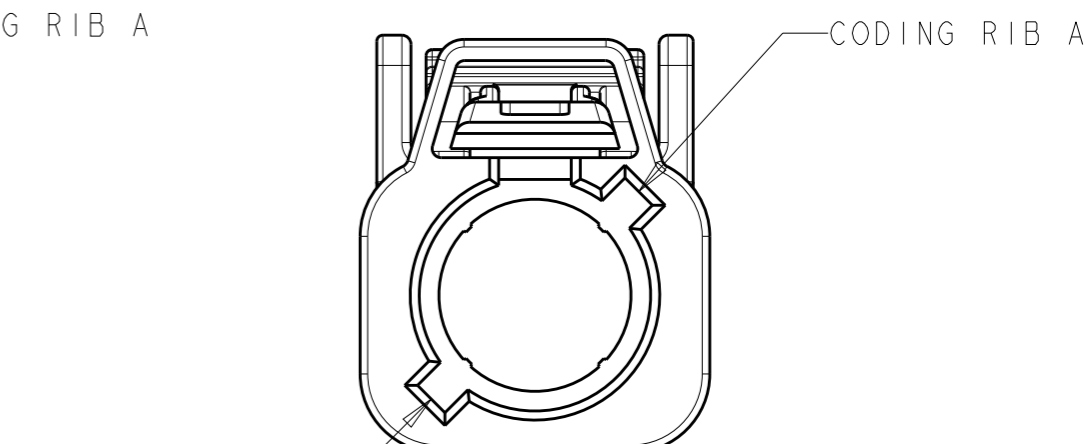
THIS DRAWING IS A CONTROLLED DOCUMENT.		DWN D. J. HARDY 04JAN2006		
DIMENSIONS: mm		CHK J. W. HALL 05JAN2006		
TOLERANCES UNLESS OTHERWISE SPECIFIED:		APVD J. W. HALL 05JAN2006		
0 PLC ±- 1 PLC ±- 2 PLC ±- 3 PLC ±- 4 PLC ±- ANGLES ±-		PRODUCT SPEC -		
MATERIAL -		FINISH -	NAME PLUG HOUSING, 1 POSITION, FAKRA, SMB	
-		1	SIZE A3	CAGE CODE 00779
-		1	DRAWING NO 1438893	RESTRICTED TO -
-		1	SCALE 4:1	SHEET 1 OF 3
-		1	CUSTOMER DRAWING	REV D2

REVISIONS

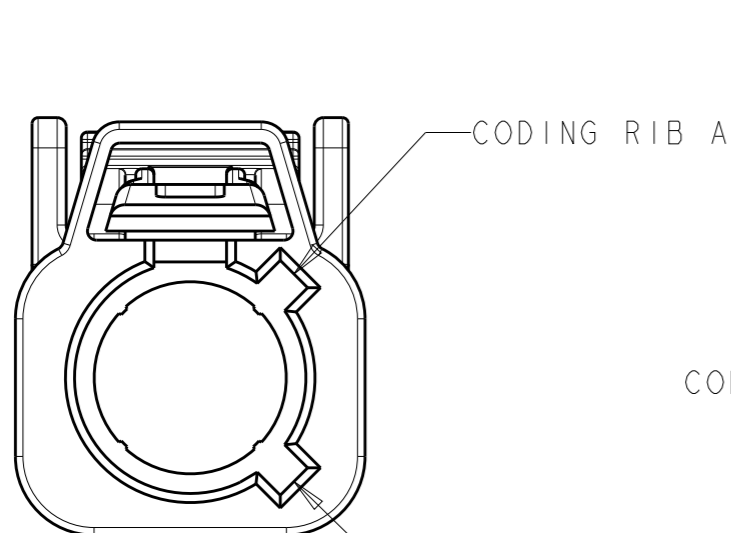
P	LTR	DESCRIPTION	DATE	DWN	APVD
	-	SEE SHEET 1	-	-	-



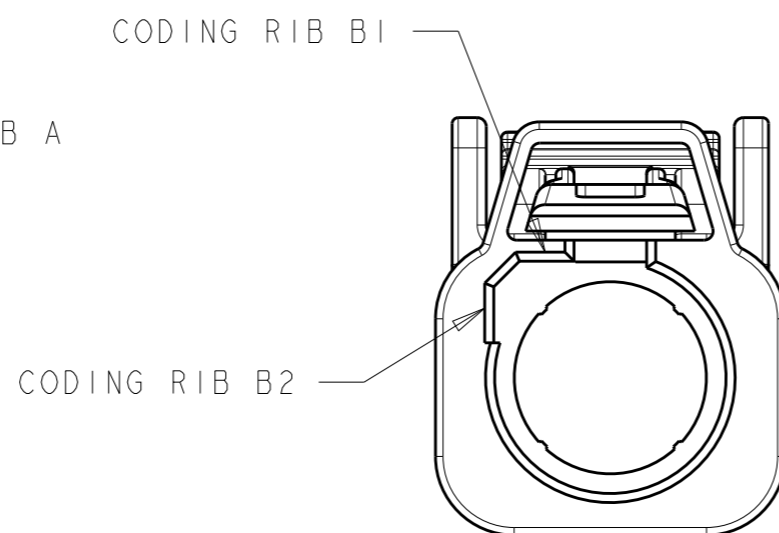
DETAIL B



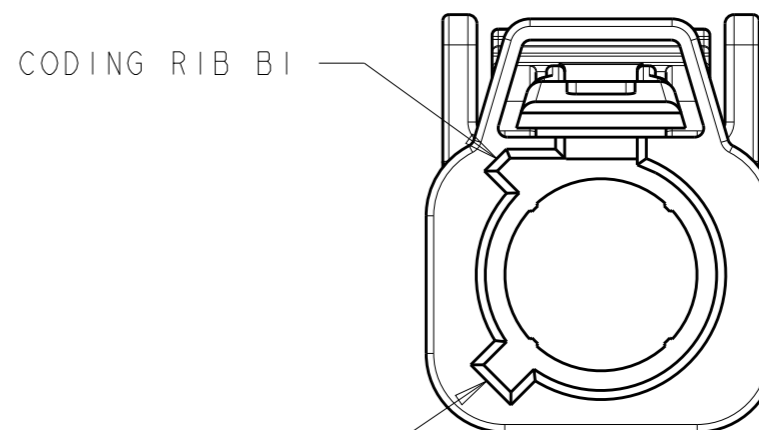
DETAIL C



DETAIL D



DETAIL E

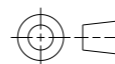


DETAIL F

THIS DRAWING IS A CONTROLLED DOCUMENT.

DIMENSIONS:

mm



TOLERANCES UNLESS OTHERWISE SPECIFIED:

- 0 PLC ±-
- 1 PLC ±-
- 2 PLC ±-
- 3 PLC ±-
- 4 PLC ±-
- ANGLES ±-

MATERIAL

FINISH

DWN 04JAN2006

D. J. HARDY

CHK 05JAN2006

J. W. HALL

APVD 05JAN2006

J. W. HALL

PRODUCT SPEC

-

APPLICATION SPEC

114-13157

WEIGHT

-

CUSTOMER DRAWING



TE Connectivity

NAME

PLUG HOUSING,
1 POSITION, FAKRA, SMB

SIZE

CAGE CODE

DRAWING NO

RESTRICTED TO

A300779

C-1438893

-

SCALE 4:1

SHEET 2 OF 3

REV D2

THIS DRAWING IS UNPUBLISHED.

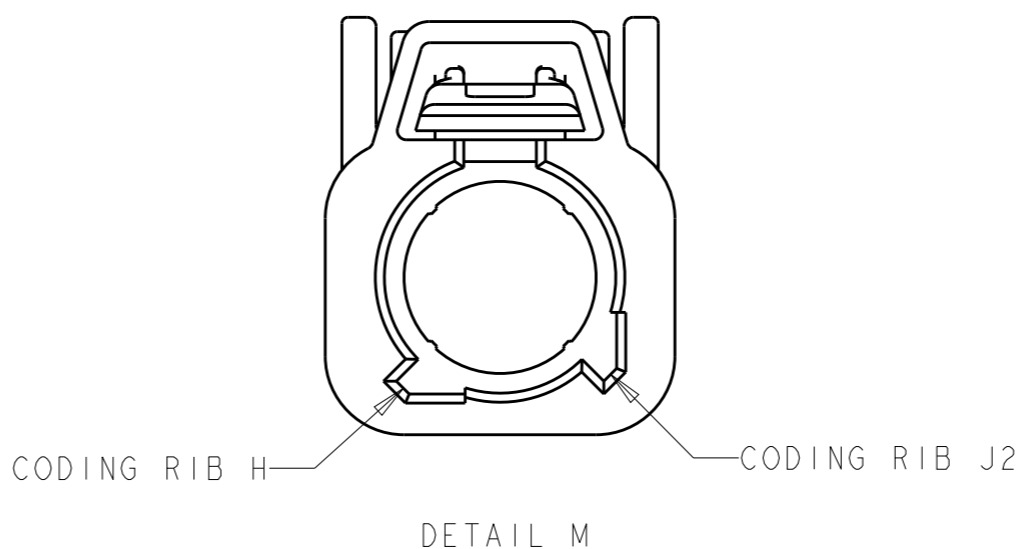
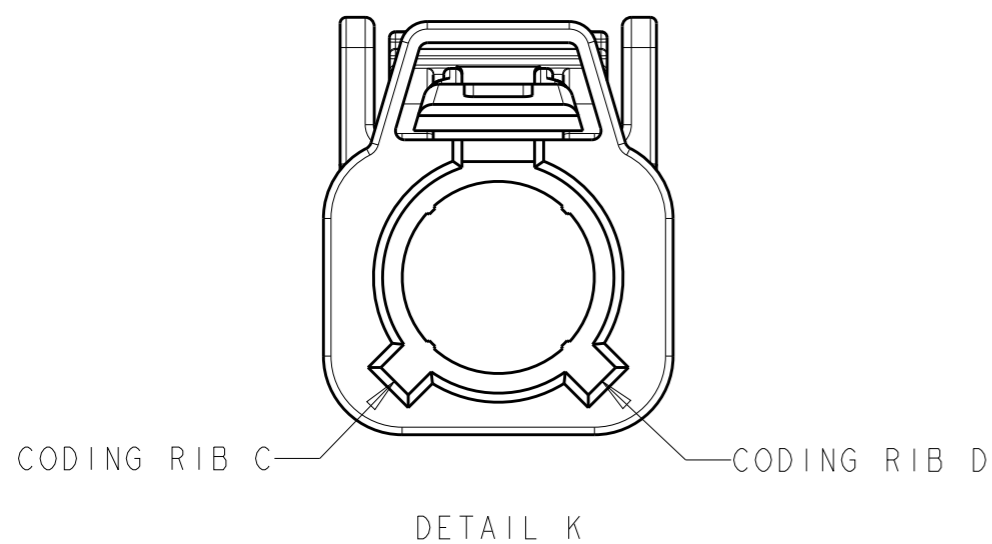
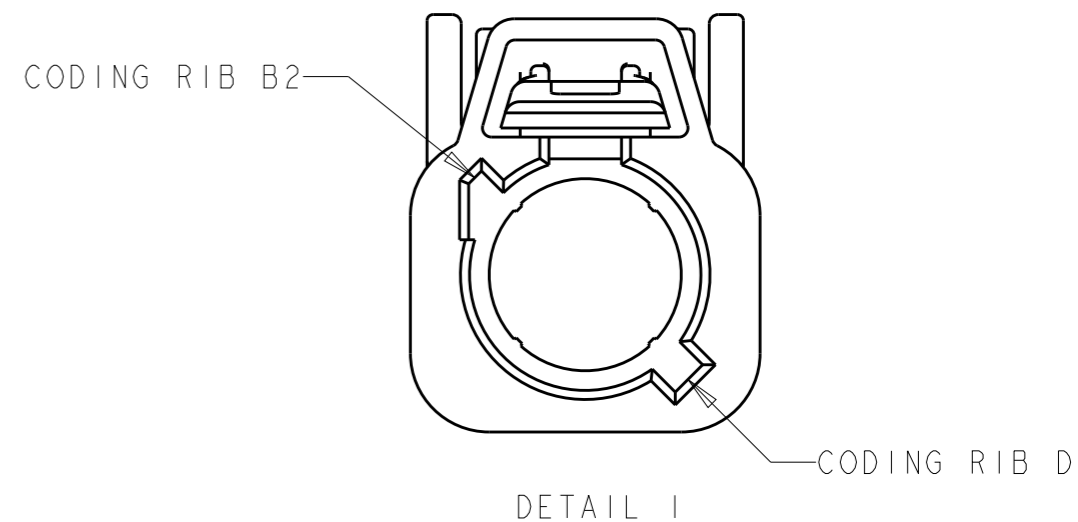
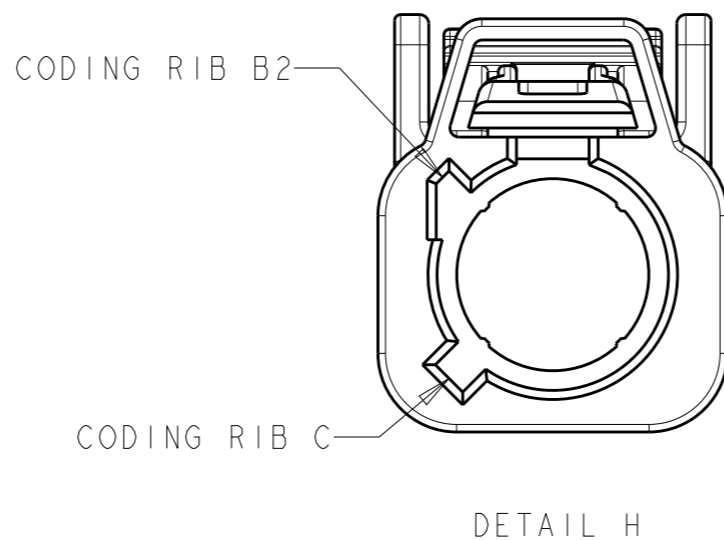
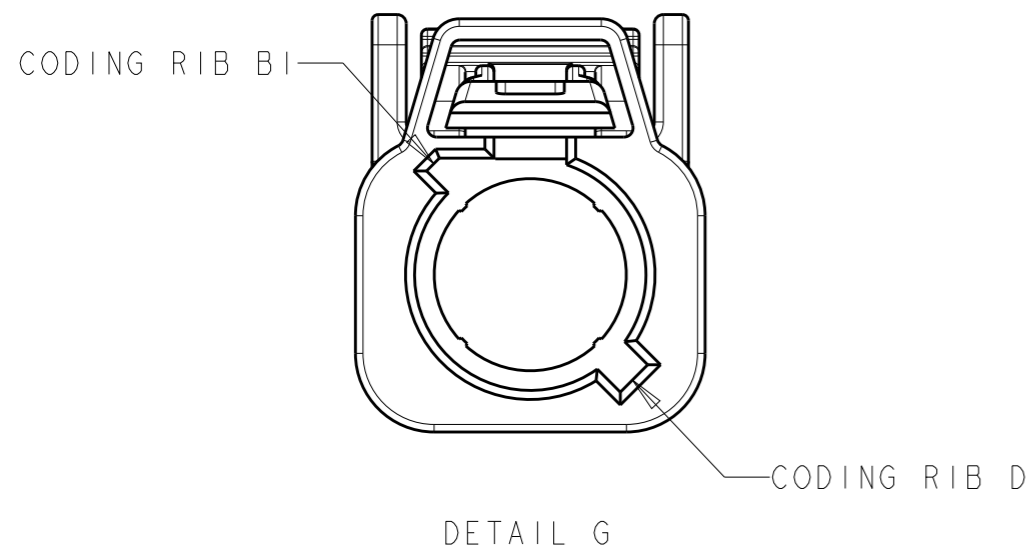
RELEASED FOR PUBLICATION

20

© COPYRIGHT 20 BY - ALL RIGHTS RESERVED.

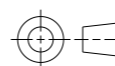
REVISIONS

P	LTR	DESCRIPTION	DATE	DWN	APVD
-	-	SEE SHEET 1	-	-	-



THIS DRAWING IS A CONTROLLED DOCUMENT.

DIMENSIONS:
mm



TOLERANCES UNLESS OTHERWISE SPECIFIED:

- 0 PLC ±-
- 1 PLC ±-
- 2 PLC ±-
- 3 PLC ±-
- 4 PLC ±-
- ANGLES ±-

MATERIAL

FINISH

DWN 04JAN2006
D. J. HARDY

CHK 05JAN2006
J. W. HALL

APVD 05JAN2006
J. W. HALL

PRODUCT SPEC

APPLICATION SPEC

114-13157

WEIGHT

CUSTOMER DRAWING



NAME
PLUG HOUSING,
1 POSITION, FAKRA, SMB

SIZE	CAGE CODE	DRAWING NO	RESTRICTED TO
------	-----------	------------	---------------

A3	00779	C-1438893	-
----	-------	-----------	---

SCALE	SHEET	OF	REV
4:1	3	3	D2