

4

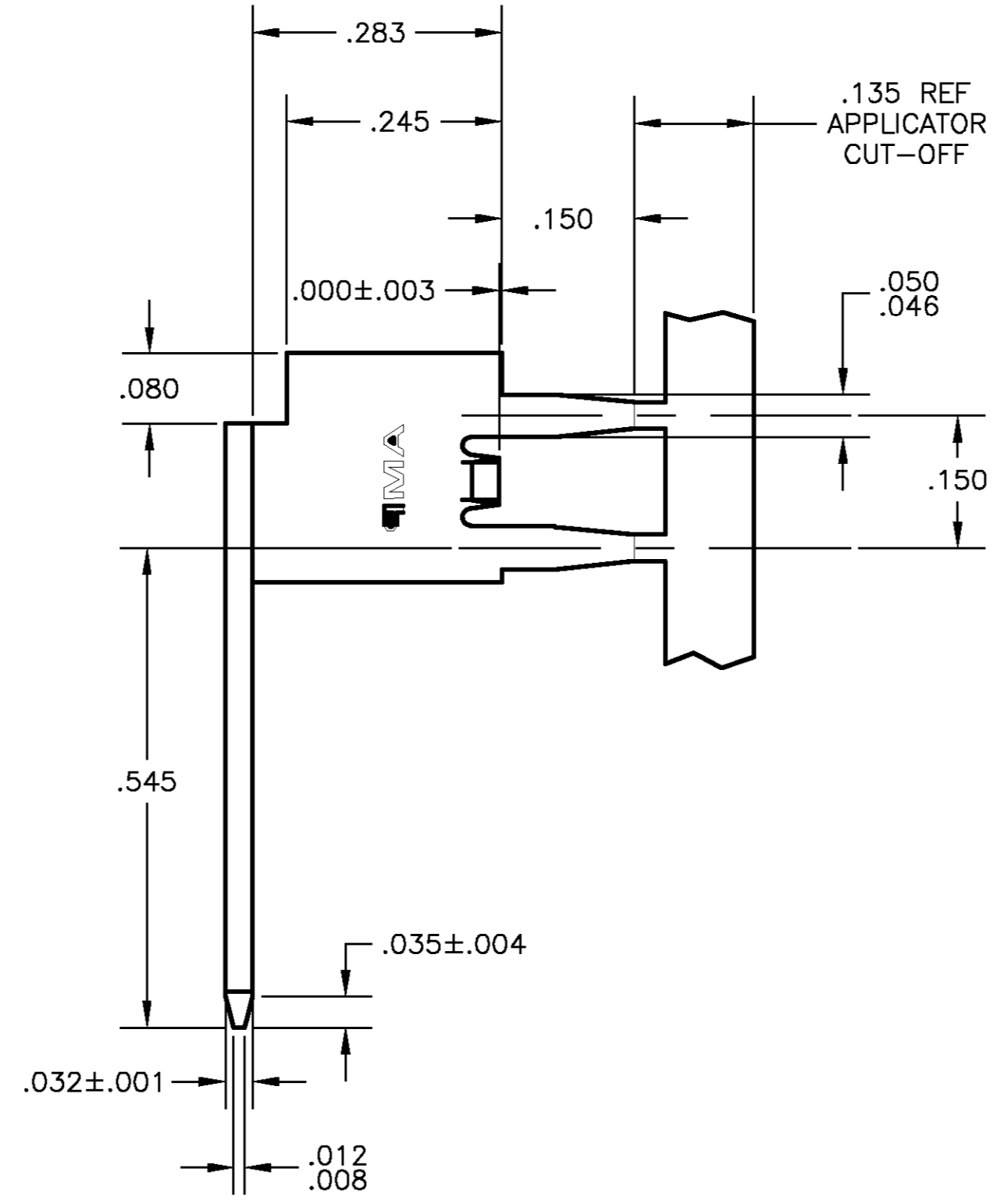
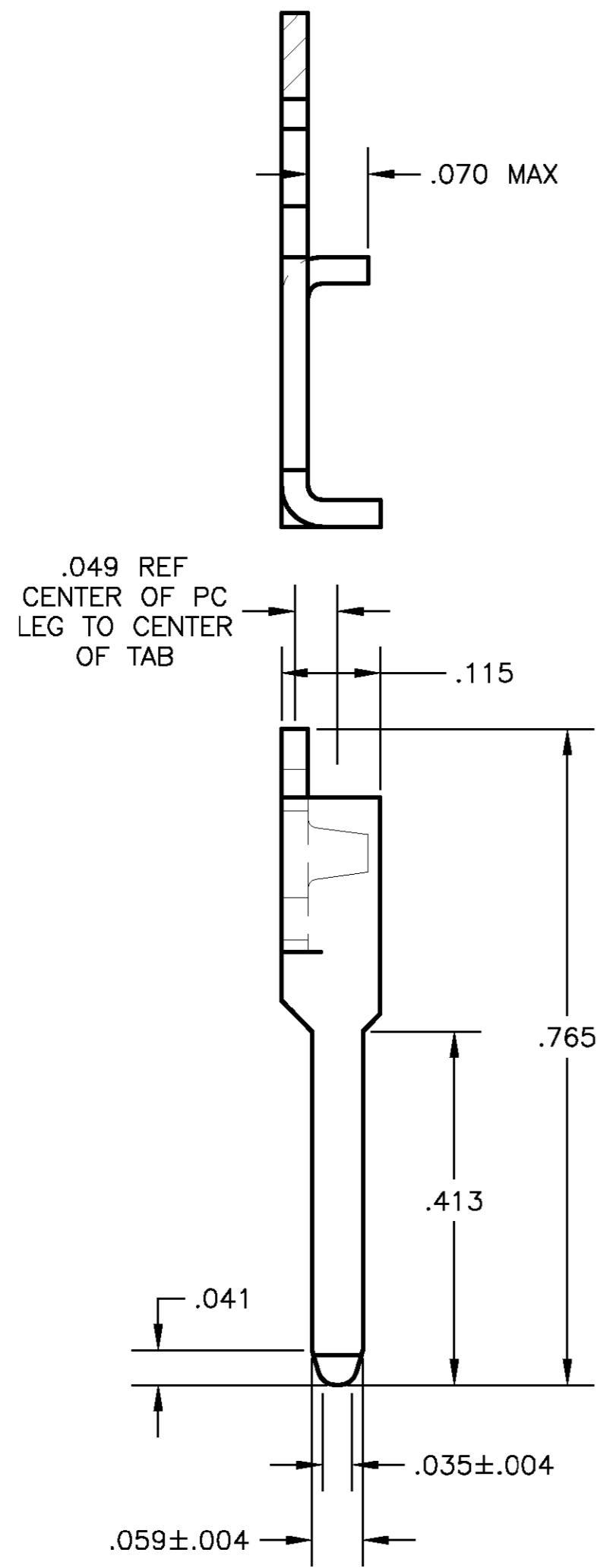
3

2

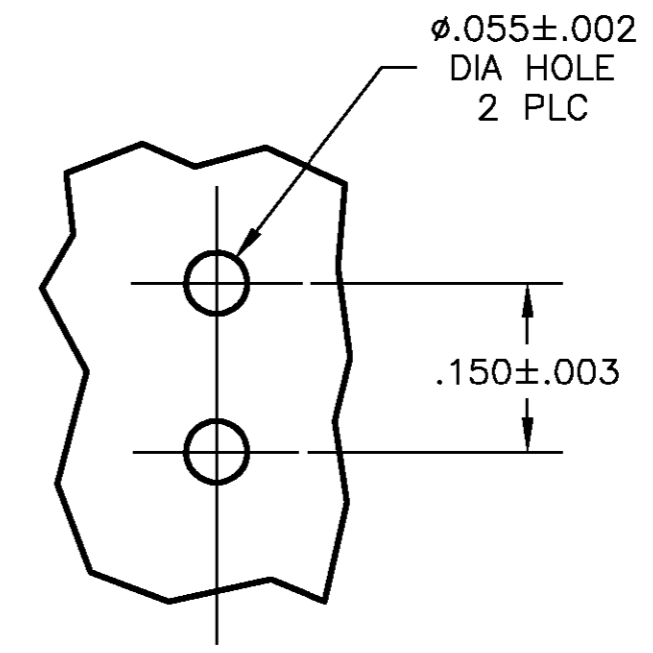
1

THIS DRAWING IS UNPUBLISHED. RELEASED FOR PUBLICATION
 © COPYRIGHT BY TYCO ELECTRONICS CORPORATION. ALL RIGHTS RESERVED.

LOC	DIST	REVISIONS			
P	LTR	DESCRIPTION	DATE	DWN	APVD
AF	50	H	REDRAWN PER 0G3A-0251-01	06APR01	JR ND



1 CONTINUOUS STRIP ON REELS.
 △ .000100-.000200 TIN OVER
 .000100 MIN NICKEL.



P.C. BOARD HOLES

1217088-1
 PART NO.

THIS DRAWING IS A CONTROLLED DOCUMENT.		DWR JR RUTH 06APR01	Tyco Electronics Corporation Harrisburg, PA. 17057	
DIMENSIONS: INCHES		CHK MS FEHER 06APR01	NAME TAB, SPECIAL FOR P.C. BOARD	
TOLERANCES UNLESS OTHERWISE SPECIFIED:		APVD N DEIBERT 06APR01	PRODUCT SPEC	
0 PLC ± -		APPLICATION SPEC		
1 PLC ± -		WEIGHT		
2 PLC ± -		SIZE A2		
3 PLC ± .010		CAGE CODE 00779		
4 PLC ± -		DRAWING NO 1217088		
ANGLES ± -		RESTRICTED TO		
MATERIAL 082 BRASS		SCALE 6:1		
FINISH - △		SHEET 1 OF 1		
CUSTOMER DRAWING		REV H		

1217088