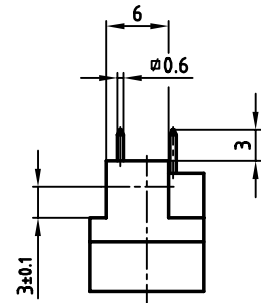
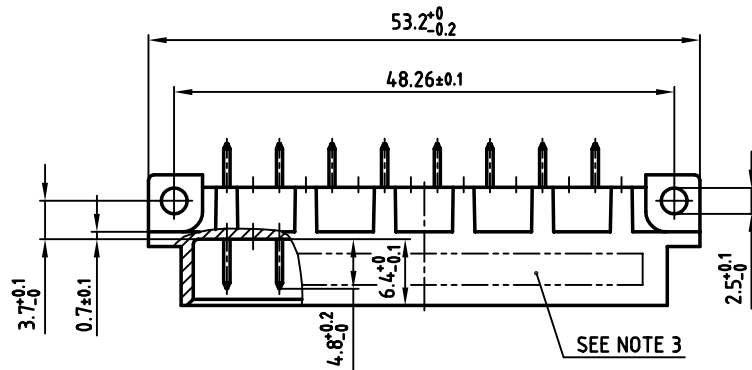
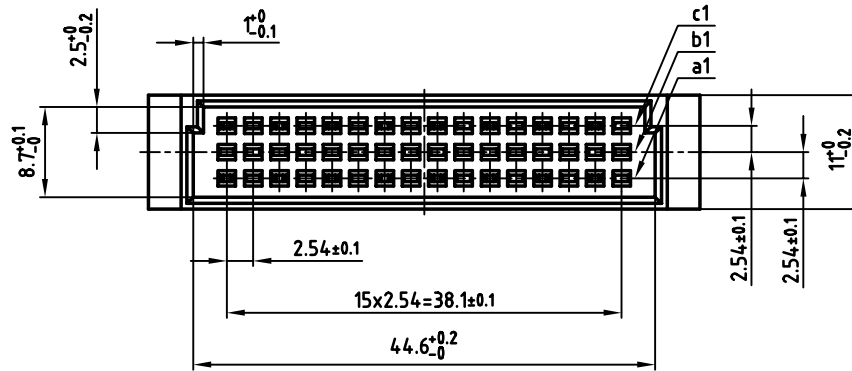


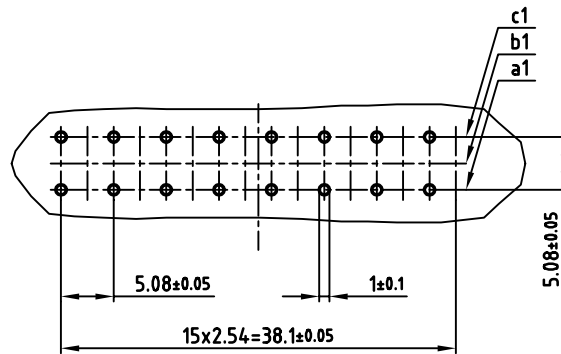
used for: DIN EN 60603 TYPE "C 1/2"



NOTES:

1. INSULATOR: PBTP GF UL 94 V-0, GREY
2. CONTACTS: COPPER ALLOY
PLATING: GOLD OVER NICKEL
400 MATING CYCLES
3. CONNECTOR IS PART MARKED: 121B10409X CONEC Y/WW

P.C.B. HOLE DRILLINGS



APPROVAL # FREIGABE # DEBLOCAGE # AUTORIZACION # APPROVAL

CUSTOMER APPROVAL DATE:

NAME: TITLE:

COMPANY NAME:

APPROVAL # FREIGABE # DEBLOCAGE # AUTORIZACION # APPROVAL

THIS DRAWING MAY NOT BE COPIED OR REPRODUCED IN ANY WAY, AND MAY NOT BE PASSED ON TO A THIRD PARTY, WITHOUT WRITTEN PERMISSION. OWNERSHIP AND COPYRIGHT OF CONEC Gmbh DO NOT ALTER CAD DRAWING BY HAND

rev.	description	date	name

tolerance			scale: 2:1	
dim. in mm			material: SEE NOTES	
2003	date	title:		
drawn	27.11.	MALE CONNECTOR TYPE "C 1/2"		
appd.	27.11.	16pos. SOLDER PIN		
norm	DIN EN 60603	dwg no: AutoCAD 2000 DIN-A		
d-old		12K1A285 3 sh:1/1		
rev. description date name		part no: 121B10409X		



6

5

4

2

1