

Bolt connection terminal block - RWV 5 - 3073746

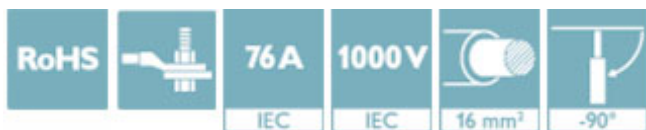
Please be informed that the data shown in this PDF Document is generated from our Online Catalog. Please find the complete data in the user's documentation. Our General Terms of Use for Downloads are valid (<http://phoenixcontact.com/download>)



Panel feed-through terminal block, connection method: Bolt connection, Bolt connection, number of positions: 1, load current: 76 A, cross section: 0.1 mm² - 16 mm², AWG 26 - 6, connection direction of the conductor to plug-in direction: -90 °, width: 16.3 mm, color: gray

Why buy this product

- ✓ Easy grouping with engagement pin versions
- ✓ Both terminal halves can be easily assembled by simply snapping them together
- ✓ Quick and easy conductor connection thanks to hinged cover flaps with captive clamping nut
- ✓ Molded versions ensure maximum tightness of seal
- ✓ Touch-proof insulating housing in a new design
- ✓ Spring-loaded spacers protect the bolt connection against loosening
- ✓ Automatic compensation of the panel thickness via the snap principle integrated in the insulation housing



Key Commercial Data

Packing unit	10 STK
GTIN	
GTIN	4046356368551

Technical data

General

Number of levels	1
Number of connections	2
Nominal cross section	16 mm ²
Color	gray
Insulating material	PA
Flammability rating according to UL 94	V0
Rated surge voltage	8 kV
Degree of pollution	3
Overvoltage category	III

Bolt connection terminal block - RWV 5 - 3073746

Technical data

General

Insulating material group	I
Connection in acc. with standard	IEC 60947-7-1
Nominal current I _N	76 A
Maximum load current	76 A
Nominal voltage U _N	1000 V
Open side panel	Yes
Number of positions	1

Dimensions

Width	16.3 mm
Pitch	16.3 mm
Plate thickness	1 mm ... 6 mm

Connection data

Note	Connection bolts
Connection side	outside
Connection method	Bolt connection
Conductor cross section solid min.	0.1 mm ²
Conductor cross section solid max.	16 mm ²
Conductor cross section flexible min.	0.1 mm ²
Conductor cross section flexible max.	16 mm ²
Conductor cross section AWG min.	26
Conductor cross section AWG max.	6
Screw thread	M5
Tightening torque, min	2.5 Nm
Tightening torque max	3 Nm
Connection side	inside
Connection method	Bolt connection

Standards and Regulations

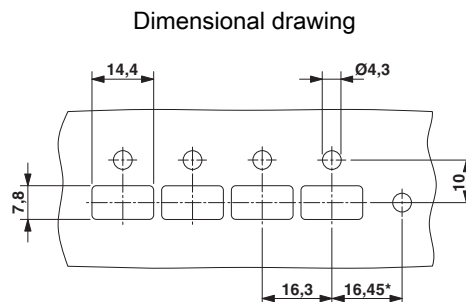
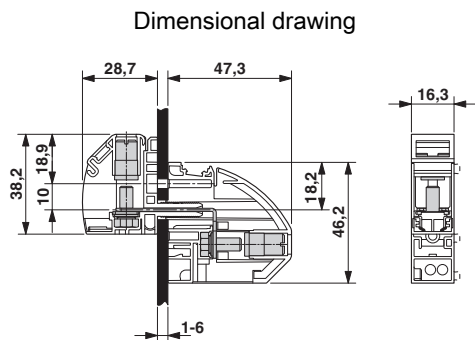
Connection in acc. with standard	UL
	IEC 60947-7-1
	DIN 46234
	DIN 46237
Flammability rating according to UL 94	V0

Environmental Product Compliance

REACH SVHC	Lead 7439-92-1
China RoHS	Environmentally Friendly Use Period = 50
	For details about hazardous substances go to tab "Downloads", Category "Manufacturer's declaration"

Drawings

Bolt connection terminal block - RWV 5 - 3073746



* Only when using the RW...-F flange plate

Approvals

Approvals

Approvals

UL Recognized / EAC

Ex Approvals

Approval details

UL Recognized		http://database.ul.com/cgi-bin/XYV/template/LISEXT/1FRAME/index.htm E60425-20100319	
		B	C
Nominal voltage UN		600 V	600 V
Nominal current IN		65 A	65 A

EAC		B.01742
-----	--	---------

Phoenix Contact 2018 © - all rights reserved
<http://www.phoenixcontact.com>

PHOENIX CONTACT GmbH & Co. KG
 Flachsmarktstr. 8
 32825 Blomberg
 Germany
 Tel. +49 5235 300
 Fax +49 5235 3 41200
<http://www.phoenixcontact.com>