

SPRING-LOADED CONNECTORS

SERIES 832 • 2mm GRID FLAT & CONCAVE FACE TARGET CONNECTORS FOR SPRING-LOADED ASSEMBLIES • DOUBLE ROW STRIPS

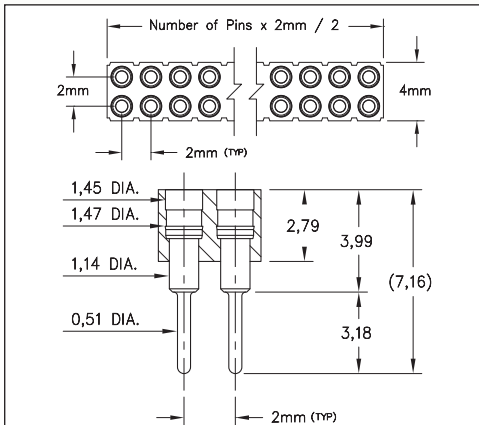


FIG. 1

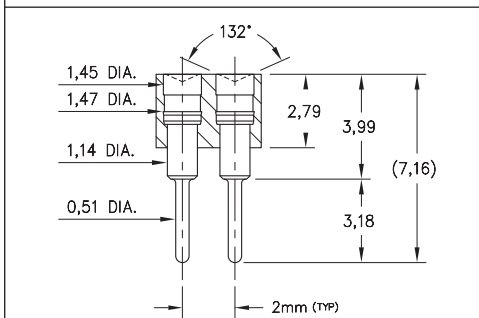


FIG. 2

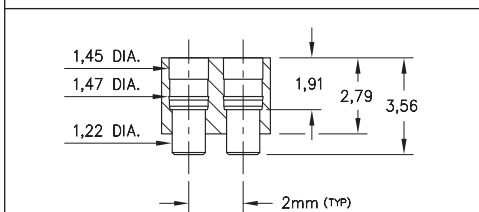


FIG. 3

Coplanarity 0,13. For Pin counts >20 positions, consult Technical Support.

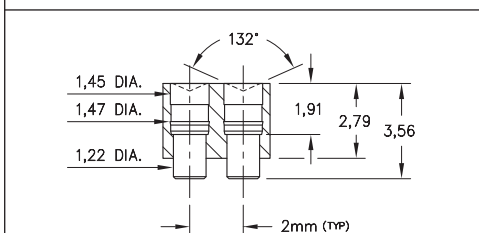
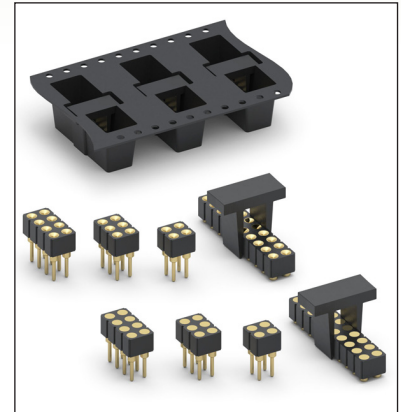


FIG. 4

Coplanarity 0,13. For Pin counts >20 positions, consult Technical Support.

- Series 832 2mm Spring Target Connectors, supplied in double row strips
- Target connectors provide an excellent gold-plated conductive path back to the board-mounted spring pin connector. Available in both through-hole and SMT terminations with the choice of either flat or concave face contact surfaces. Concave face targets provide additional surface area for mating with our standard 0,81 diameter plungers
- Target connectors use MM #1949, #1950, #1951, and #1952 pins. See page 223.1 for details
- Insulators are high temperature thermoplastic



ORDERING INFORMATION

FIG. 1	Series 832...003 Flat face / Solder Tails
	832-10-0__-10-003000 Specify number of pins ↑ 04-20
FIG. 2	Series 832...004 Concave face / Solder Tails
	832-10-0__-10-004000 Specify number of pins ↑ 04-20
FIG. 3	Series 832...30-003 Flat face / Surface Mount
	832-10-0__-30-003XXX Specify number or pins ↑ 04-20 Tube packaged = 000 Tape & reel packaged = 191 400 parts per 330mm reel
FIG. 4	Series 832...30-004 Concave face / Surface Mount
	832-10-0__-30-004XXX Specify number or pins ↑ 04-20 Tube packaged = 000 Tape & reel packaged = 191 400 parts per 330mm reel
<div style="display: flex; justify-content: space-around; align-items: center;"> <div style="border: 1px solid black; padding: 5px; background-color: #90EE90;">RoHS-2 2011/65/EU</div> <div style="border: 1px solid black; border-radius: 50%; padding: 5px;">XX=Plating Code See Below</div> <div style="border: 1px solid black; border-radius: 50%; padding: 5px;">For Electrical, Mechanical & Enviromental Data, See page 264</div> </div>	
SPECIFY PLATING CODE XX=	10 ◆
Pin Plating	0,25µm Au

