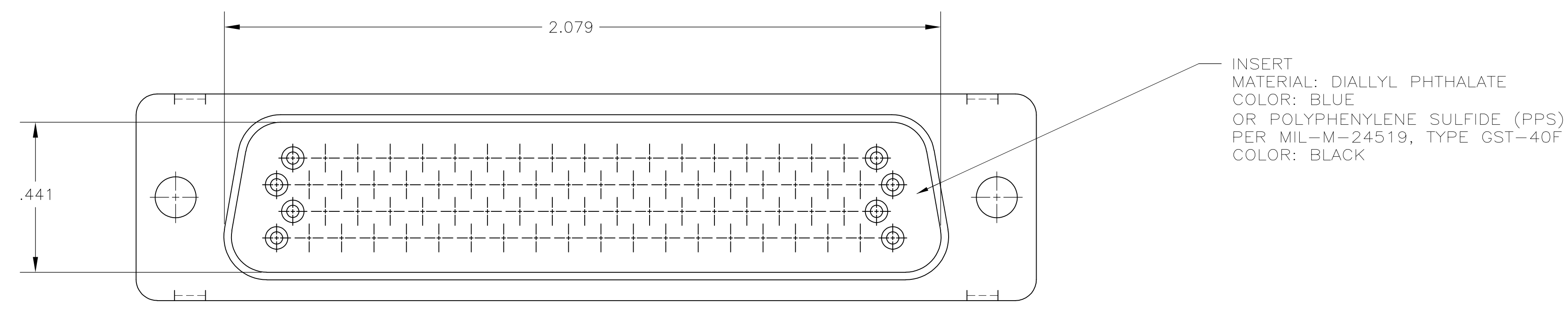
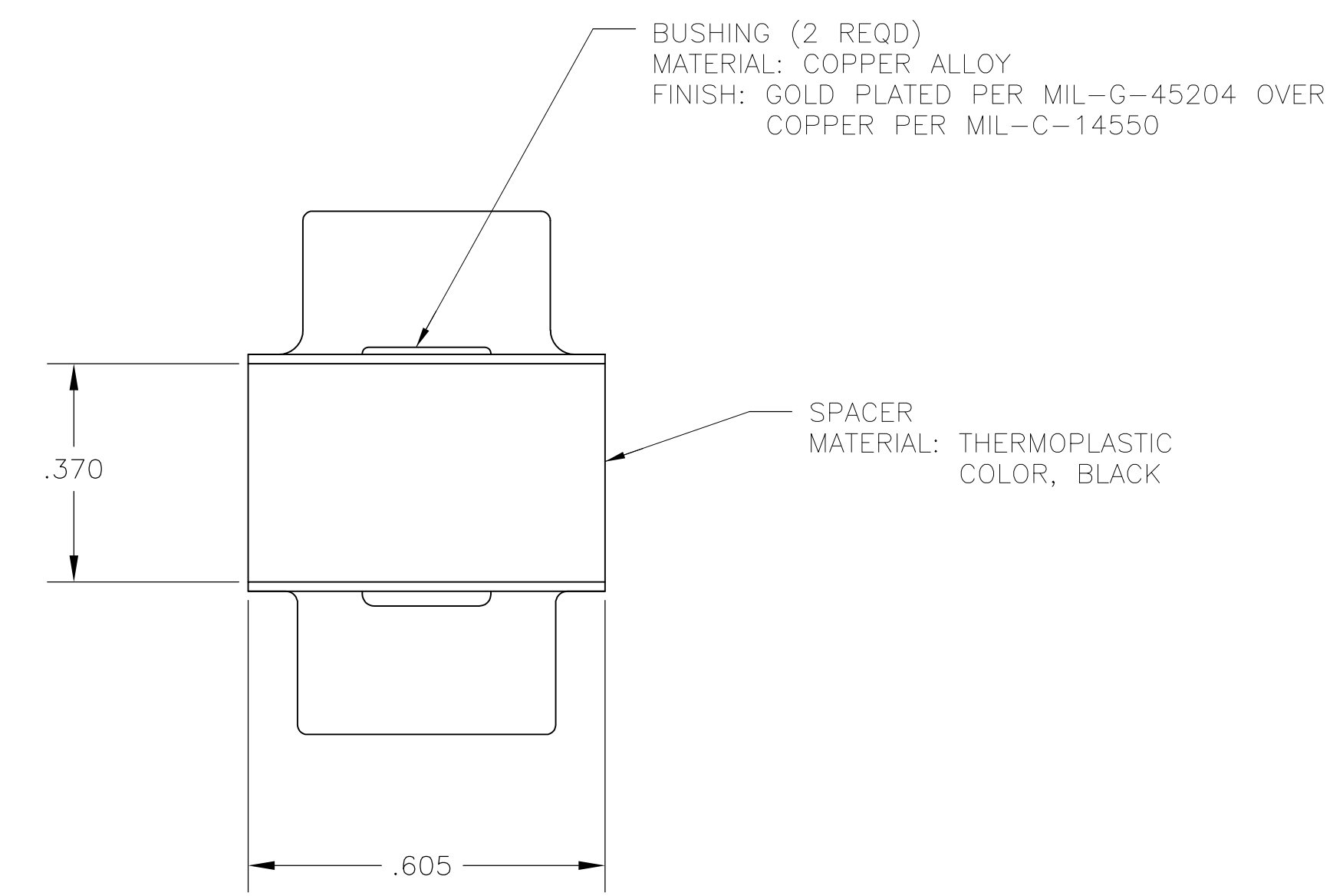
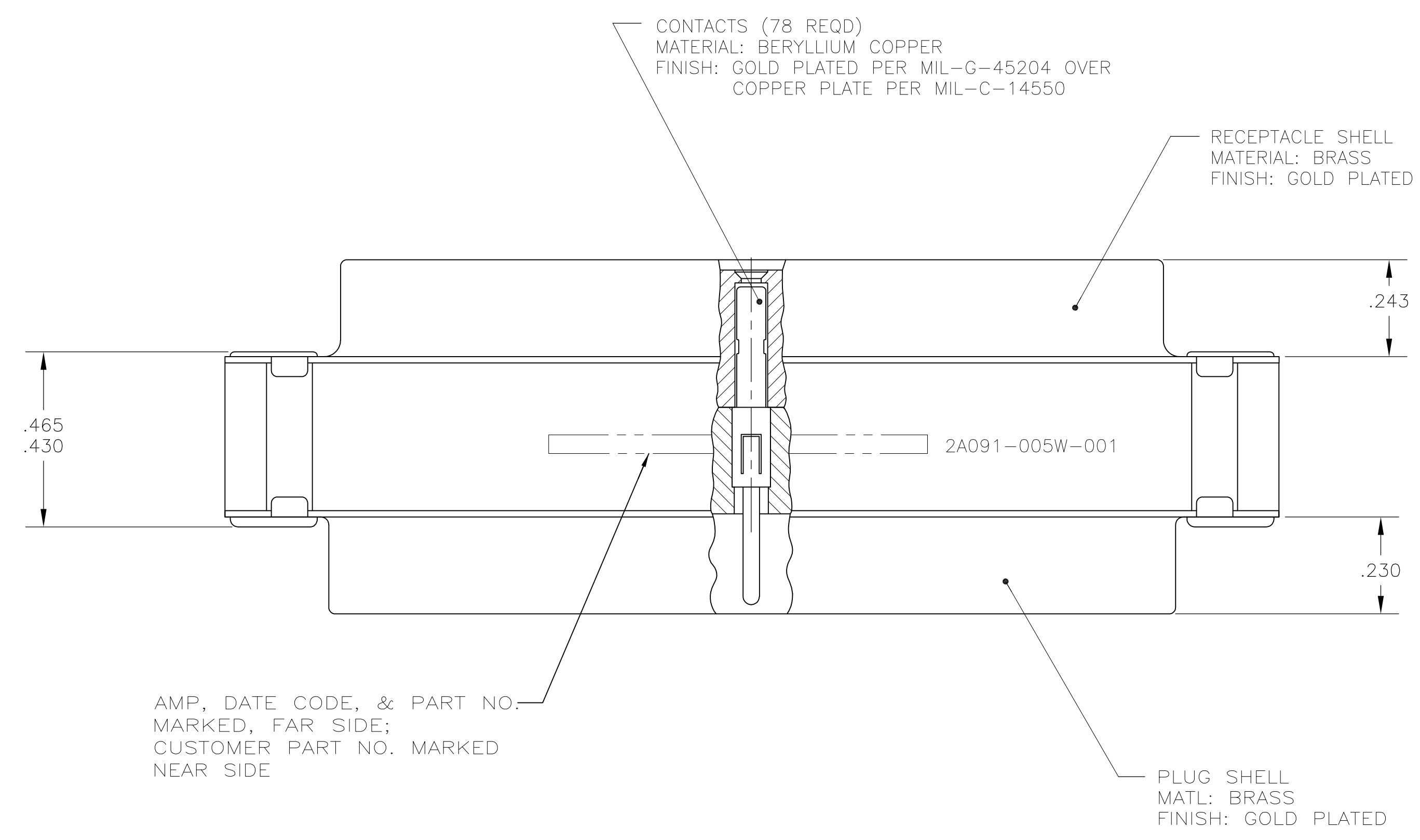
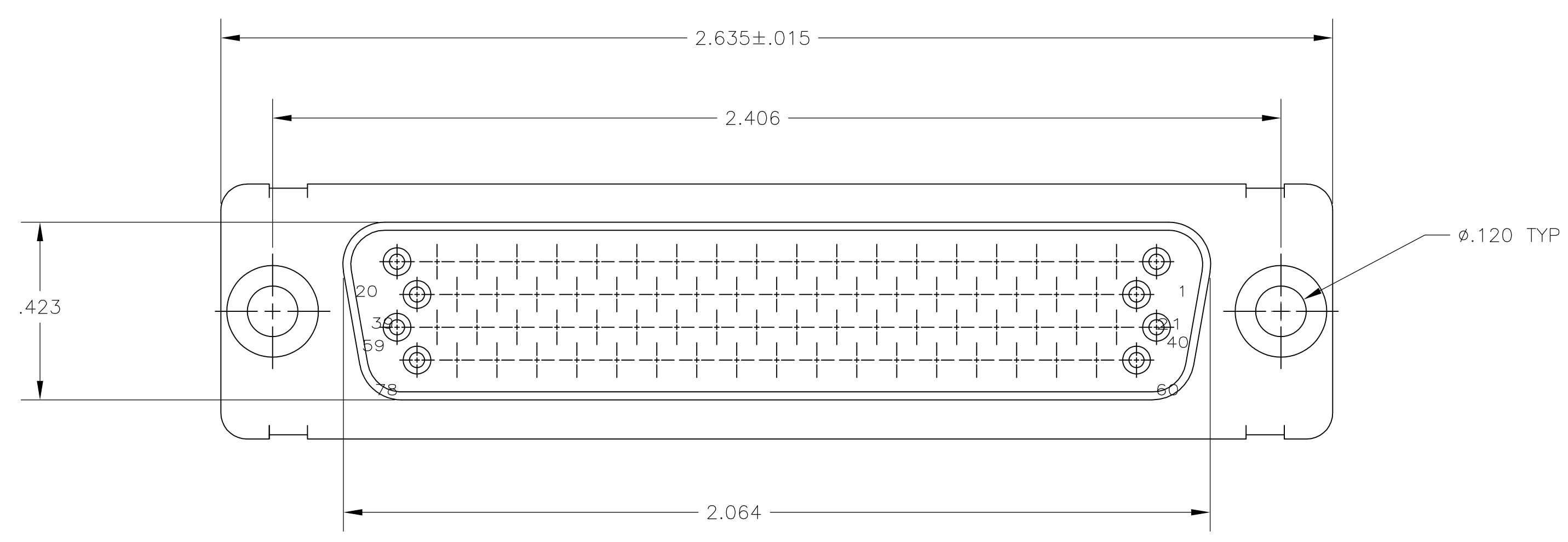


LOC		DIST		REVISIONS			
P	LTR	DESCRIPTION	DATE	DNW	APVD		
F		REV PER ECO 15-014757	11-5-15	CT	RL		



211688-1
PART NO.

THIS DRAWING IS A CONTROLLED DOCUMENT. DIMENSIONING AND TOLERANCING PER ASME Y14.5M (ISO STANDARDS)		DIN P YEAGER 13APR11	STE TE Connectivity	
DIMENSIONS: INCHES		CHK R LEASE 13APR11	NAME CONNECTOR SAVER, AMPLIMITE, 78 POSITION, SIZE 5, SERIES 90	
TOLERANCES UNLESS OTHERWISE SPECIFIED:		APVD R LEASE 13APR11	PRODUCT SPEC	
0 PLC ± -	1 PLC ± -	APPLICATION SPEC	SIZE CAGE CODE DRAWING NO. RESTRICTED TO	
2 PLC ± -	3 PLC ± .005	WEIGHT	A1 00779 C=211688	1 OF 1 REV F
4 PLC ± -	ANGLES ± -	FINISH SEE CALLOUTS	CUSTOMER DRAWING	SCALE 4:1 SHEET 1 OF 1 REV F