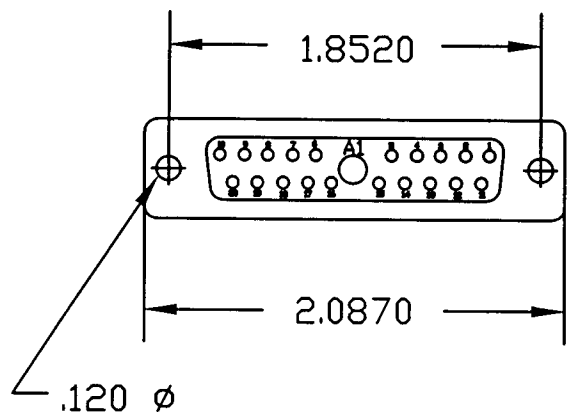


DESCRIPTION: 21W1 Female Connector - 20 Amp Contact



Specification:

Shell: Steel, Tin Plated

Insulator: PBT +30% Fibre-Glass, Black,  
UL 94V-0

Contacts: Brass - Gold Flash over Nickel

Current Rating: Signal - 5 Amps

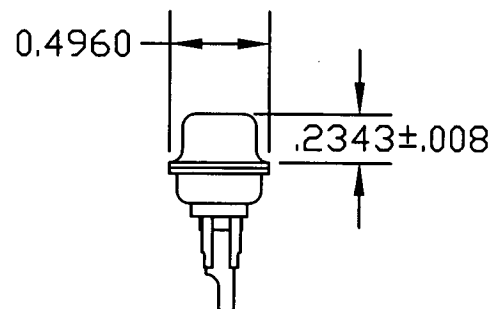
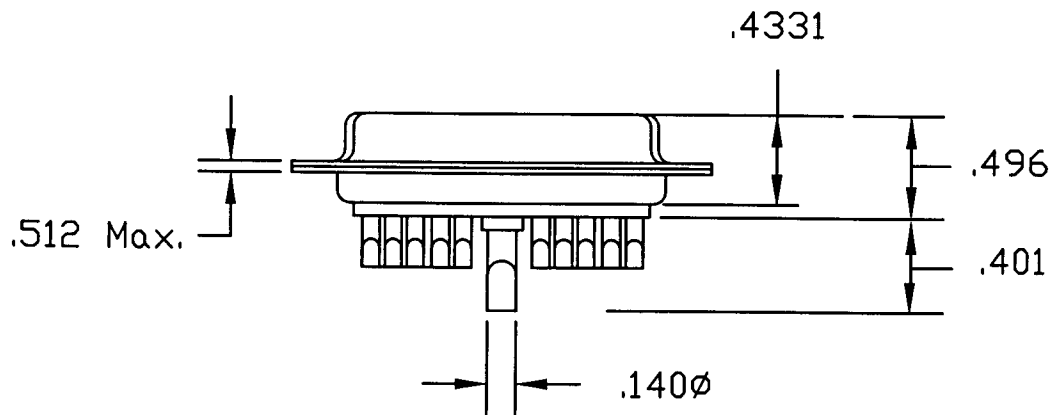
Current Rating: Power - 20 Amps

Contact Resistance: 15 m $\Omega$ MS MAX.

Insulator Resistance: 1000 M $\Omega$ MS MIN.

Voltage: 500V AC for 1 minute

Temperature: -50°C to +100°C



THESE DRAWINGS AND SPECIFICATIONS ARE THE PROPERTY OF NorComp AND SHALL NOT BE REPRODUCED, COPIED OR USED AS THE BASIS FOR THE MANUFACTURE OF SALE OF APPARATUS WITHOUT WRITTEN PERMISSION.

DRAWN:  
PAM JENKINS

DATE:  
4-11-01

CHECKED:

DATE:

**NorComp**

SCALE:

SHEET 1 OF 1

REV 1

DWG NO.

68021W1-202-201