

Figure 1

1. INTRODUCTION

This instruction sheet covers the installation and use of AMP Tooling Kit 768900-5, which is used in the CHAMPOMATOR* 2.5 Bench Terminating Machine to apply discrete-wire cable to CHAMP* .050 Series II Plug Connectors. Refer to AMP Catalog 82244 for application requirements and product part number information.

NOTE

All dimensions on this sheet are in metric units [followed by U.S. customary units in brackets]. Figures are for identification only and are not drawn to scale.

NOTE

These instructions are supplied in the documentation package for Tooling Kit 768900-5. Make sure to retain all material in the documentation package for reference. For detailed information on the operation of the CHAMPOMATOR 2.5 Machine, refer to AMP Customer Manual 409-5839, which is supplied with the machine.

2. DESCRIPTION (Figure 1)

The tooling kit consists of two inserter assemblies, a mandrel assembly, a set of connector nests, and a set of setup gages (used for adjusting the insertion guide opening).

The inserter assemblies trim and insert the individual wires into the connector contacts. The mandrel assembly supports the connector during the termination process and helps guide the wires into the inserter assembly termination area.

The connector nest set locates the connector in the mandrel assembly.

3. INSTALLATION

⚠ DANGER

Disconnect the power to the control module and lockout the pneumatic valve BEFORE installing the tooling onto the base machine.

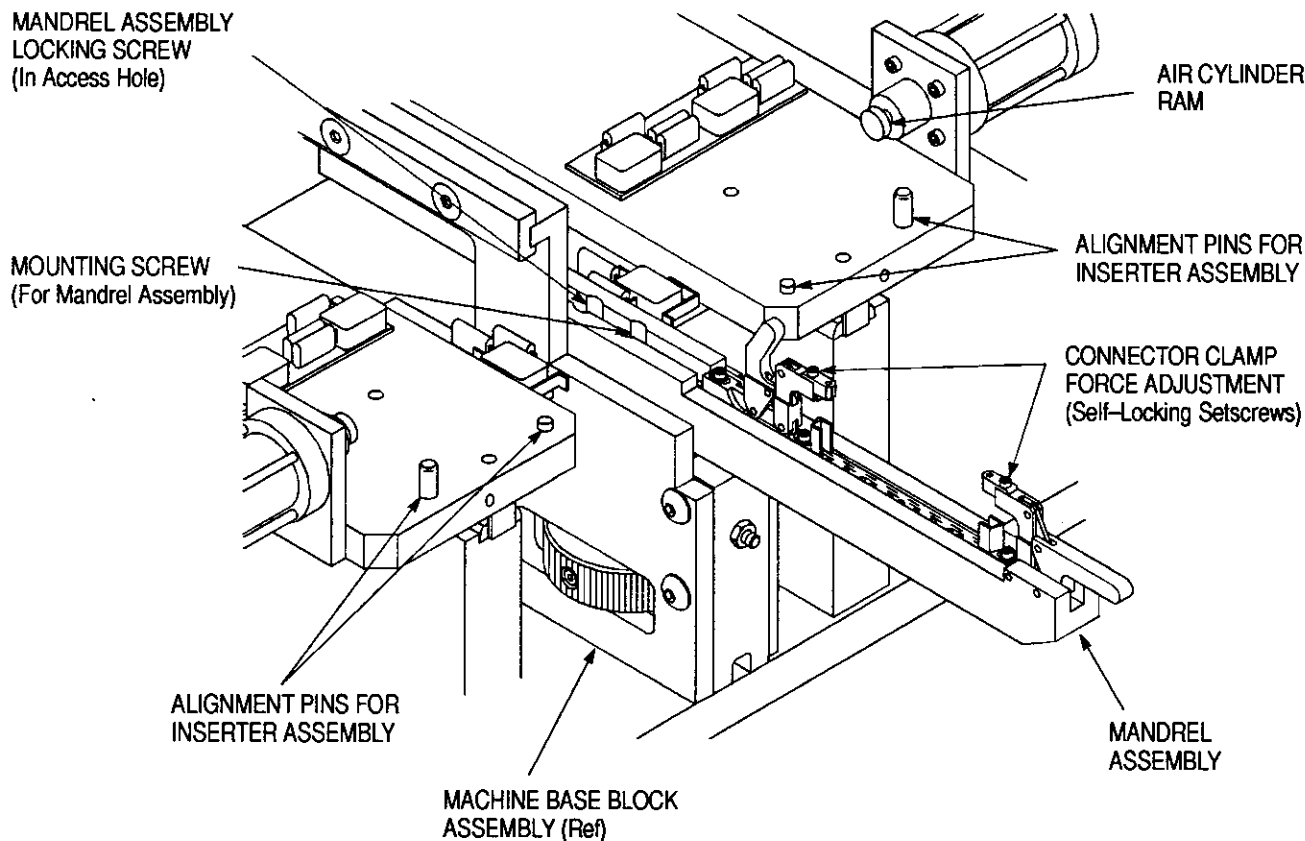


Figure 2

DANGER

For clarity, the illustrations used in this sheet may show the machine without guarding. Be sure to have all guarding in place before operating the machine.

3.1. Mandrel Assembly (Figure 2)**NOTE**

All inserter assemblies must be removed before installing or removing the mandrel assembly.

1. Place the mandrel assembly onto the machine base block assembly.
2. Using a 5/32-in. hex wrench, secure the mandrel assembly onto the base block assembly with the two socket head cap (mounting) screws supplied with the machine.

3.2. Inserter Assemblies (Figure 3)

1. Align the inserter assembly T-slot over the air cylinder ram.
2. Locate the base of the inserter assembly onto the two alignment pins on the machine's inserter assembly mounting area. Refer to Figure 2.
3. Using a 5/32-in. hex wrench, install the two inserter assembly mounting screws.

4. ADJUSTMENTS**NOTE**

Disconnect the power to the control module and lockout the pneumatic valve **BEFORE** adjusting any tooling.

4.1. Mandrel Assembly Height

The mandrel assembly height is adjustable to locate the connector contacts in correct relation to the inserter assemblies' inserter tips. To adjust the height:

1. Place a new (unterminated) connector onto the connector nest and lock into place.
2. Using a 1/8-in. hex wrench, remove the machine's front access plate.
3. Using a 5/32-in. hex wrench, loosen the mandrel assembly locking screw, which is located in the center access hole. Refer to Figure 2.
4. With the machine's electrical and air power disabled, manually move the machine's carriage assembly out to the connector termination area, then partially extend the inserter tips on each inserter assembly.
5. Observe the relationship between the connector contacts and the inserter assemblies' guides. Refer to Figure 4.

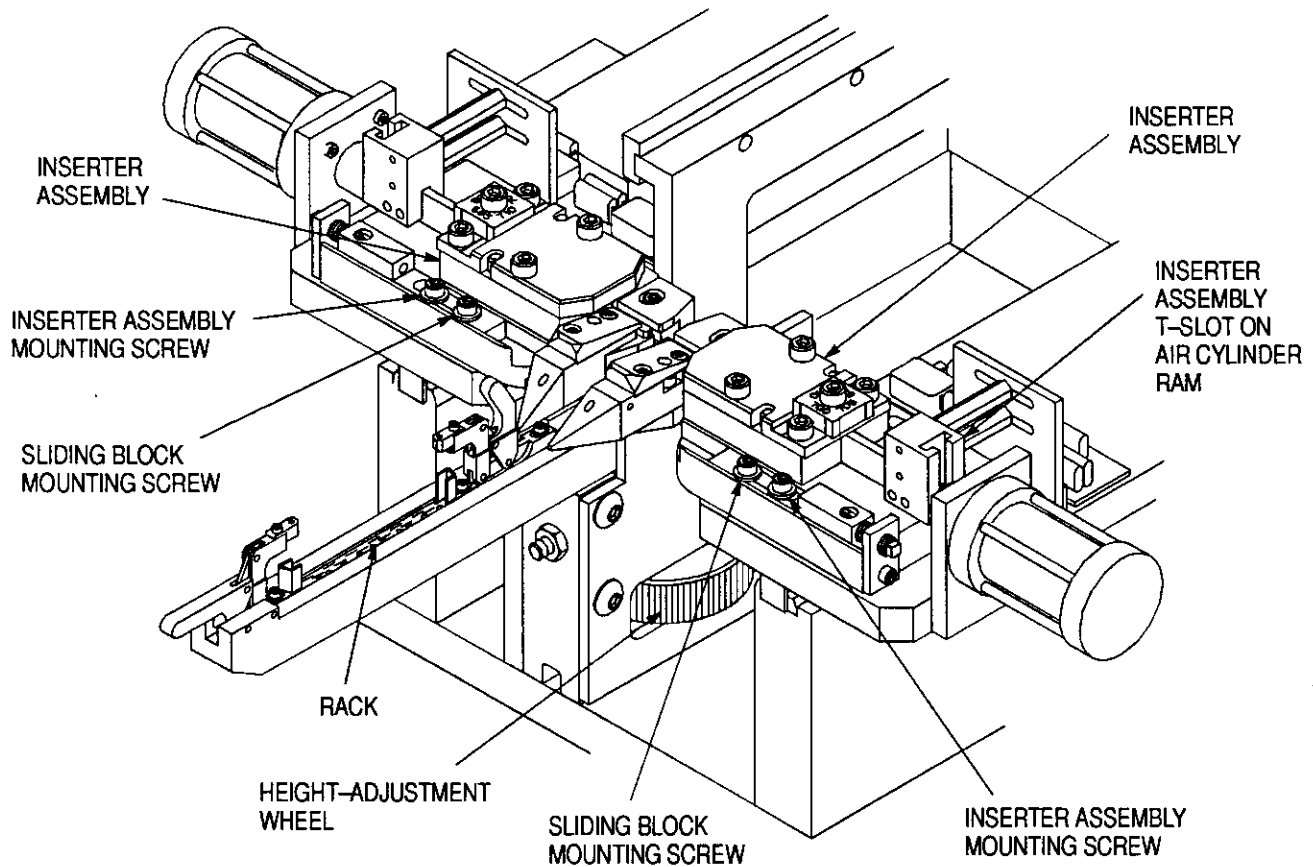


Figure 3

6. Turn the machine's height-adjustment wheel until the height is within the adjustment range, as shown in Figure 4. Turn the wheel **CLOCKWISE** to **LOWER** the mandrel (and connector) and **COUNTERCLOCKWISE** to **RAISE** the mandrel (and connector).

7. Once the desired height has been reached, use a 5/32-in. hex wrench to tighten the mandrel assembly locking screw.

4.2. Connector Nest

To adjust the connector nest for different connector sizes:

1. Using a 3/32-in. hex wrench, loosen and remove the rear connector clamp and rear nest.
2. Place the rear nest on a connector of the new size to be terminated.
3. While holding the rear nest in the connector, locate the connector over the front nest.
4. Engage the rear nest with the rack in the mandrel assembly.
5. Using a 3/32-in. hex wrench, secure the rear nest with the socket head cap screw.
6. Secure the rear connector clamp assembly behind the rear nest assembly.

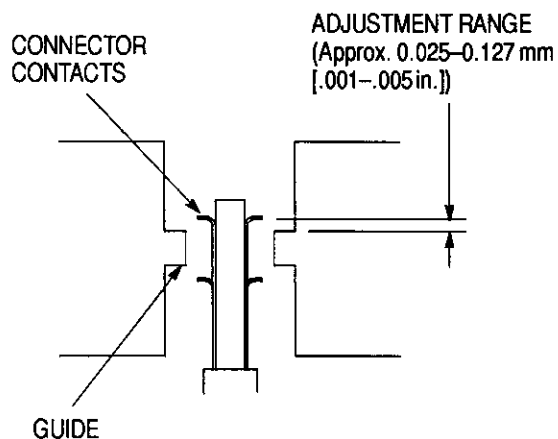


Figure 4

cad 9822

NOTE

One tooth of the rack must be visible between the rear nest and the rear connector clamp assembly for proper positioning.

4.3. Connector Clamp Force

CAUTION

The connector clamps should place sufficient force on the connector to ensure proper location and retention of the connector during termination. The clamps should NOT be set too tightly, or premature wear of the clamp component and damage to the connector might occur.

With a connector loaded onto the mandrel assembly, use a .050-in. hex wrench to adjust the connector clamp self-locking setscrews as desired. Refer to Figure 2.

4.4. Inserter Assemblies

A. Inserter Position

The inserter position is important in that the guiding surfaces for the wire must control the wire up to the time it enters the connector contact. To adjust the inserter position:

1. Load a connector into the mandrel assembly and secure it in place.
2. Press the machine's INDEX button. The machine will move to the connector's first position.
3. Using a 5/32-in. hex wrench, loosen the two inserter assembly mounting screws.
4. Loosen the sliding block mounting screw. Refer to Figure 1.
5. While viewing the inserter guiding surfaces, use a 5/32-in. open end or box wrench and turn the inserter position adjustment screw to move the assembly. Refer to Figure 1. Turn the screw CLOCKWISE to move the assembly AWAY from the connector, and COUNTERCLOCKWISE to move the assembly TOWARD the connector.
6. Check that the inserter guiding surface is within the adjustment area, as shown in Figure 5.
7. Using a 5/32-in. hex wrench, tighten the sliding block mounting screw and the two inserter assembly mounting screws.

B. Wire Insertion Depth

The length of travel of the inserter air cylinder ram may be adjusted. Normally, the inserters will not require this adjustment unless the insulation diameter is changed. To adjust the depth, refer to Figure 1 and proceed as follows:

1. Look at the top of the inserter assembly and read the wire insertion depth stop currently in use.

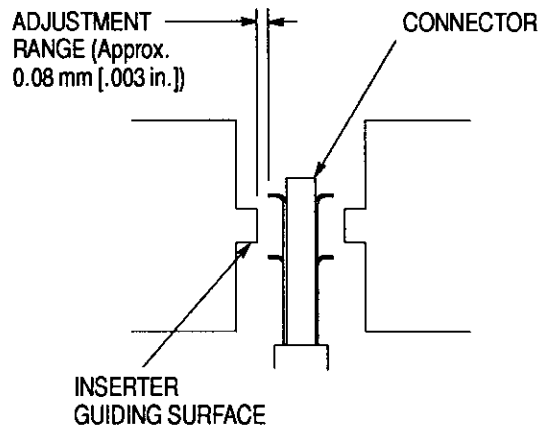


Figure 5

cad 9822

2. Using a 5/32-in. hex wrench, remove the stop mounting screws, and remove the stop from the inserter assembly.
3. Determine the stop dimension from the marking on the top of the stop directly over the inserter tip.

NOTE

Each stop is designed with four stop dimensions. For example, the 18.034 mm [.710 in.] stop also includes a 17.907 mm [.705 in.] section, a 17.780 mm [.700 in.] section, and a 17.653 mm [.695 in.] section.

4. Measure the insulation diameter of the wire presently being used, then measure the insulation diameter of the new wire to be used.
5. Determine the difference between the two insulation diameters, then subtract one half of this difference. Use the resulting number to determine the dimension of the new stop (add the figure to the old stop dimension if the diameter is increasing, subtract if the diameter is decreasing).
6. Place the correct stop onto the inserter assembly and install the stop mounting screws.
7. Repeat the above procedure for the other inserter assembly.

NOTE

Make sure that the inserter vane switches "make" in the inserted position by using Diagnostic Mode 3 on the control module. Refer to Customer Manual 409-5791 which is supplied with the module.

C. Inserter Guide Opening

The inserter guide opening helps control the placement of the wire into the connector contacts. This gap should be adjusted to accommodate changing wire outside diameter. To adjust the opening:

1. Remove the inserter assembly from the machine by removing the two inserter mounting screws.

2. Remove the inserter tip subassembly from the inserter assembly.
3. Using a 7/64-in. hex wrench, loosen the guide block and housing mounting screws.
4. Measure the outside diameter of the new wire to be used.
5. Locate the setup gage that is the same size as, or that is one size larger than, the measured wire. Insert the setup gage into the inserter assembly until the gage bottoms against the guide block. Refer to Figure 6.
6. Gently force the guide blocks against the setup gage and secure.
7. Re-install the inserter tip subassembly.
8. Install the inserter assembly onto the machine as previously described.

D. Wire Clamp Force (Figure 6)

The clamp force exerted on the wire during the termination process controls the wire's vertical placement in the connector contacts. Excessive clamp force will tend to extrude the wire insulation during termination, resulting in poor termination quality. To adjust the force:

1. Using a .035-in. hex wrench, loosen the wire clamp locking screw.
2. Using a .050-in. hex wrench, turn the wire clamp adjustment screw. Turning the screw **CLOCKWISE** will **INCREASE** the clamp force, and

turning the screw **COUNTERCLOCKWISE** will **DECREASE** the clamp force.

3. Terminate several wires to verify the adjustment.
4. Using a .035-in. hex wrench, tighten the wire clamp locking screw.

5. OPERATION

1. Load the connector to be terminated onto the connector nest.
2. Fasten the front and rear connector clamps onto the connector.
3. Load the cable into the cable clamp. Refer to the instructions supplied with the cable clamp.
4. Select the part number, "CHAMP050B" on the control module.

NOTE

Refer to the customer manual supplied with the module for specific information on selecting a part number or programming a new part number.

5. Press the machine's INDEX button. The machine will move to the connector's first position to be terminated.
6. Untwist the wire pair designated for the first pair of connector contacts.
7. Place each wire into its own insertion area and actuate the machine's inserter switches. The machine will trim and insert the wires into the contacts, then will automatically index to the next connector position.

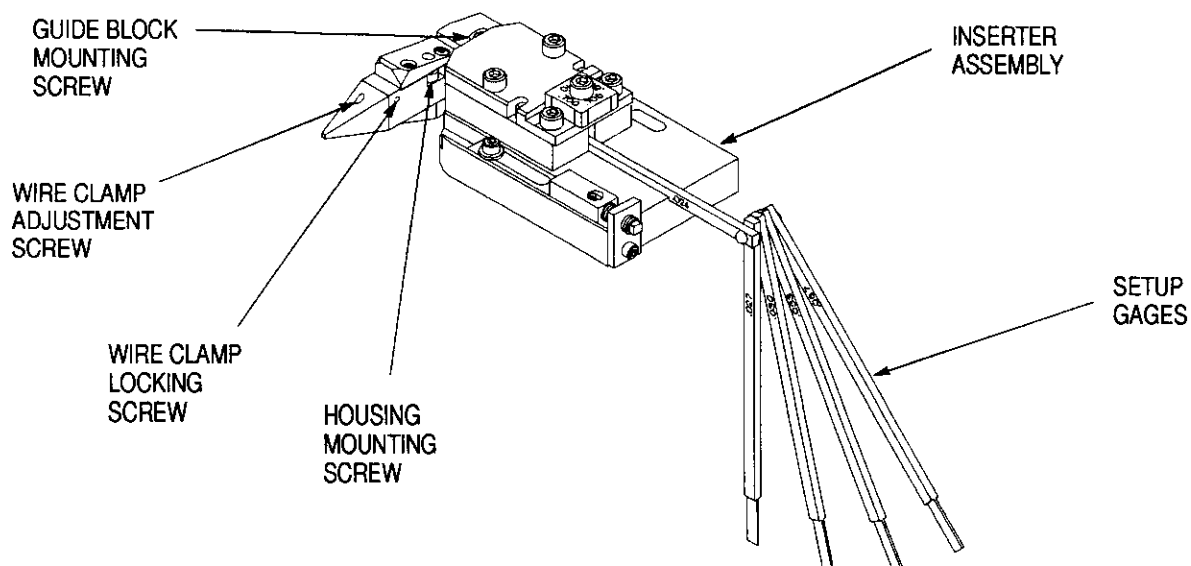


Figure 6

cad 9822

6. MAINTENANCE

6.1. Periodic Cleaning

Clean all debris and insulation buildup from the inserter assemblies.

6.2. Lubrication

Remove the cover plate and place a few drops of light oil onto the wire clamp slide. Cycle several times and wipe off excess oil before terminating wires.

6.3. Visual Inspection

1. Inserter tip – check for cracks, chips, or burrs. Remove or replace as necessary.
2. Guide block housing – check for burrs or gouges. Remove burrs.
3. Shear blade – check for chips or burrs. Replace as necessary.
4. Inserter mounting plate – check for cracks, specifically around the lower shear mounting slot. Replace as necessary.

7. REPLACEMENT PARTS

Figure 7 lists the items that are recommended as either expendable tooling or spare tooling. Expendable tooling, which includes items that are subject to wear, should be inspected regularly and replaced, if necessary.

Recommended spare tooling includes items that should be stocked to prevent machine downtime in the event that they become damaged.

For detailed information on the location of these items, and other replacement parts, refer to the drawings supplied in the tooling kit's documentation package.

EXPENDABLE TOOLING		
PART NUMBER	DESCRIPTION	QTY PER ASSEMBLY
1-21008-7	SETSCREW	2
21018-3	HEX NUT	2
852753-1	SPRING, Modified	2
856467-1	LOWER SHEAR	2
RECOMMENDED SPARE TOOLING		
768774-1	ADJUSTMENT SCREW	2
189359-1	INSERTER TIP	2

Figure 7