

5

4

3

2

1

受控 CONTROLLED DOCUMENT

编号 P/N	CPFIUG885-CUST	版本 Rev	01	日期 Rel'd Date	Apr29,09
-----------	----------------	-----------	----	------------------	----------

DRAWING NO. CPFIUG885-CUST	
REVISIONS	
01	OFFICIAL RELEASE 03-13-09 Z H U H Thomas Chow

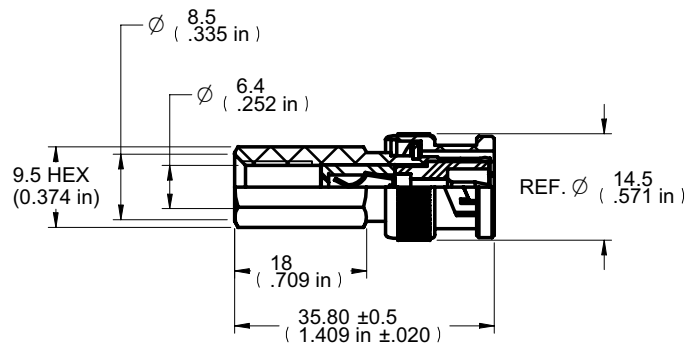
D

Description: BNC Twist-On For RG 6  
 Part No: CPFIUG885  
 Application: For RG-6 Cable  
 Crimp Tool: N/A  
 Impedance: 50 Ohms  
 Frequency Range: 0-4 GHz  
 Material: Body Zinc Nickel plated  
 Contact Phosphor bronze Gold plated  
 Insulator Teflon  
 Nut Zinc Nickel plated  
 RoHS Compliance: Yes  
 Technical Detail: Refer to Emerson Document P/N 27-0000



C

B



**DIM OUTLINE**

A

**CUSTOMER COPY**

TOLERANCE UNLESS OTHERWISE SPECIFIED		DRAWN BY GARY.ZHANG	DATE 03-13-09
DECIMALS	mm	CHECKED BY BETTY.YU	DATE 03-13-09
X	± 0.5	APPROVED BY THOMAS	DATE 03-13-09
X.X	± 0.3		
X.XX	± 0.1		
ANGLES	± 0.5°	U/M	mm



TITLE BNC TWIST-ON FOR RG 6	
--------------------------------	--

THIS DRAWING WAS PRODUCED BY COMPUTER, DO NOT SCALE DRAWING OR UPDATE MANUALLY.

SHEET 1 OF 1	DRAWING NO. CPFIUG885-CUST	SIZE A
-----------------	-------------------------------	-----------

5

4

3

2

1