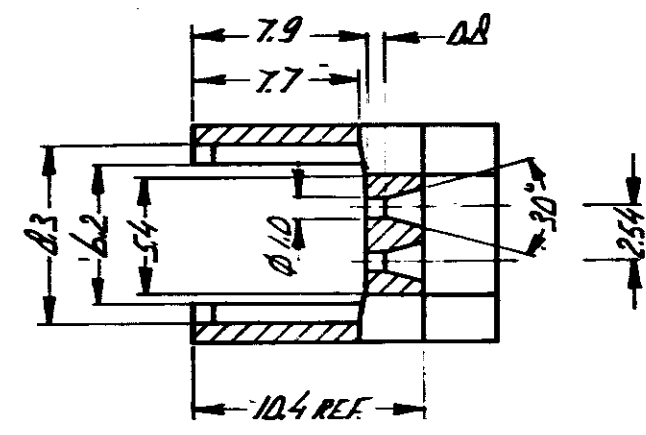
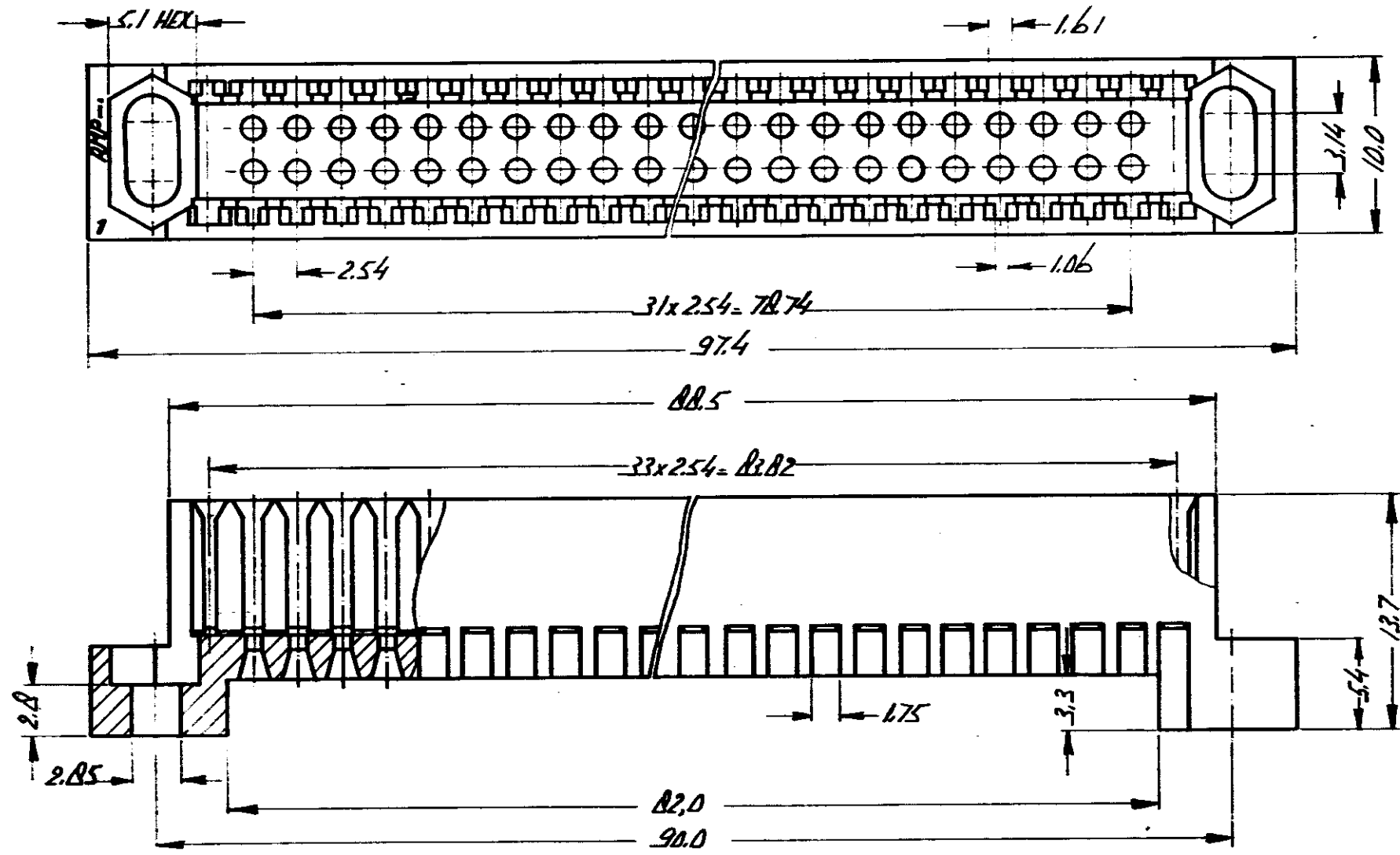
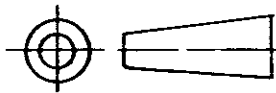


DO NOT SCALE

DIMENSIONS IN mm

METRIC

THIRD ANGLE PROJECTION



		THERMOPL. POLYESTER COLOUR: BLACK	167798-1
	FINISH	MATERIAL	PART NUMBER
CUSTOMER DRAWING FOR REFERENCE ONLY. WILL NOT BE UPDATED	<b>AMP</b>		AMP-HOLLAND B.V. 's-Hertogenbosch, The Netherlands
	THIS DRAWING IS UNPUBLISHED		RELEASED FOR PUBLICATION 1. 12. 1983
© COPYRIGHT 1983 BY AMP-HOLLAND B.V. ALL INTERNATIONAL RIGHTS RESERVED. AMP PRODUCTS MAY BE COVERED BY U.S. AND FOREIGN PATENTS AND/OR PATENTS PENDING.			
DESIGNER J. G. RILANSJEN 1-12-83	WIRE RANGE	NAME 2x32 POS. HEADER.	REV. DATE D M Y 17 7 84
CHECKER 2.12.83	INSUL. RANGE		
APP. 2.12.83	SIZE A3	SHEET 1 OF 1	DRAWING NO. C-167798
			REV. LTR. B