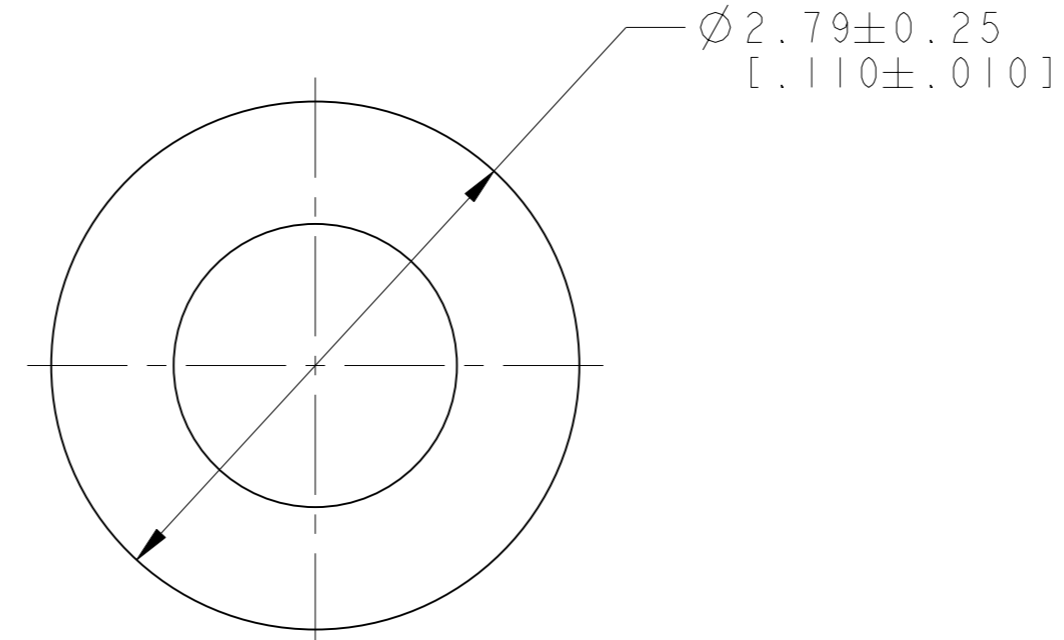
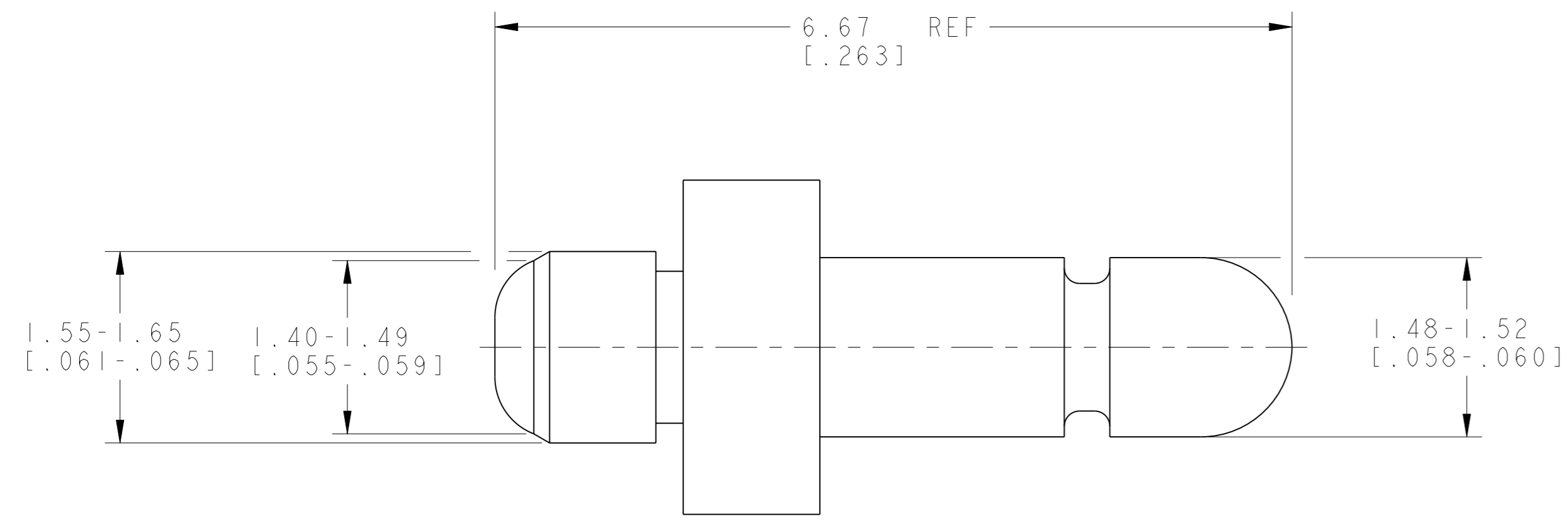
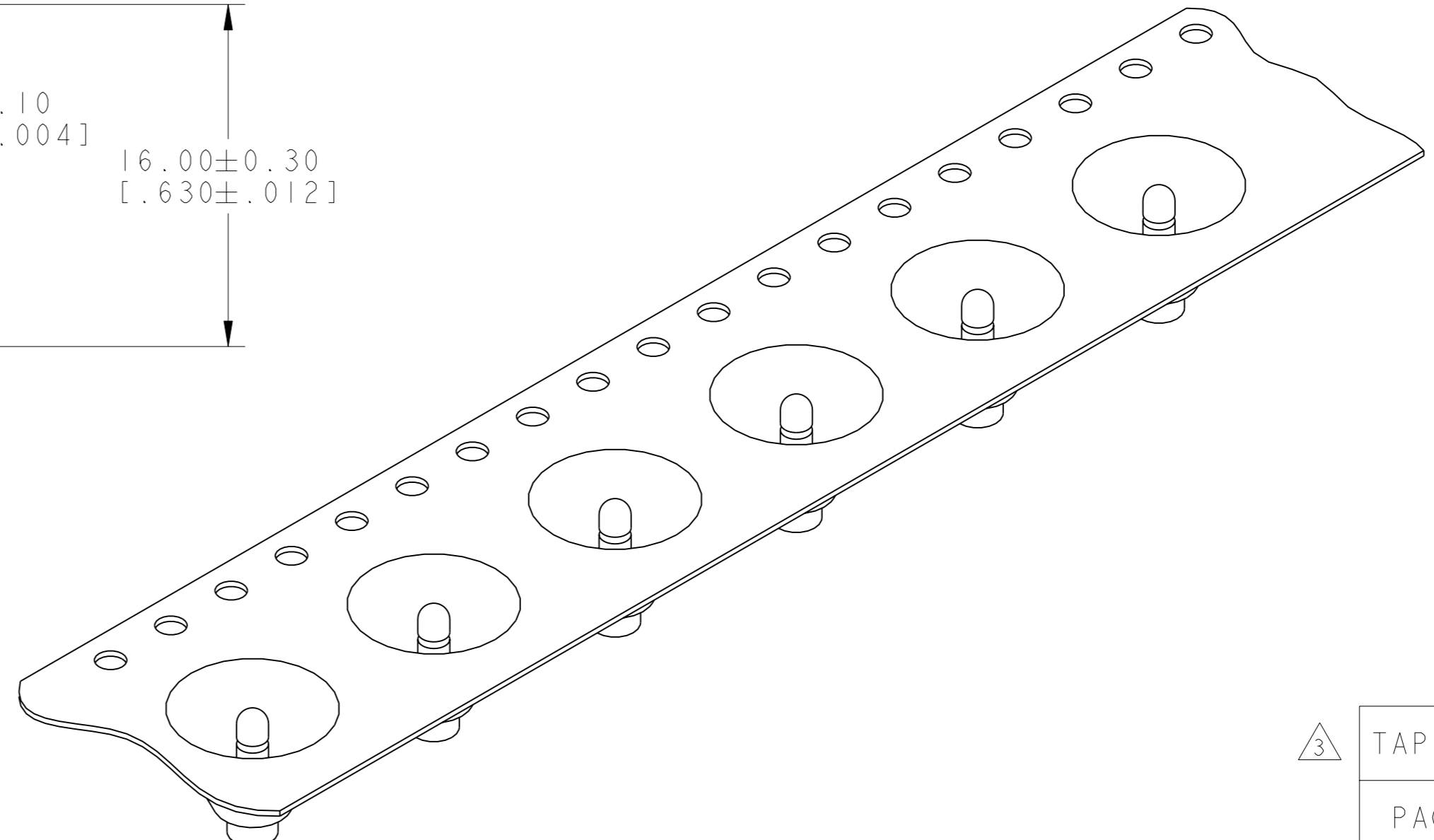
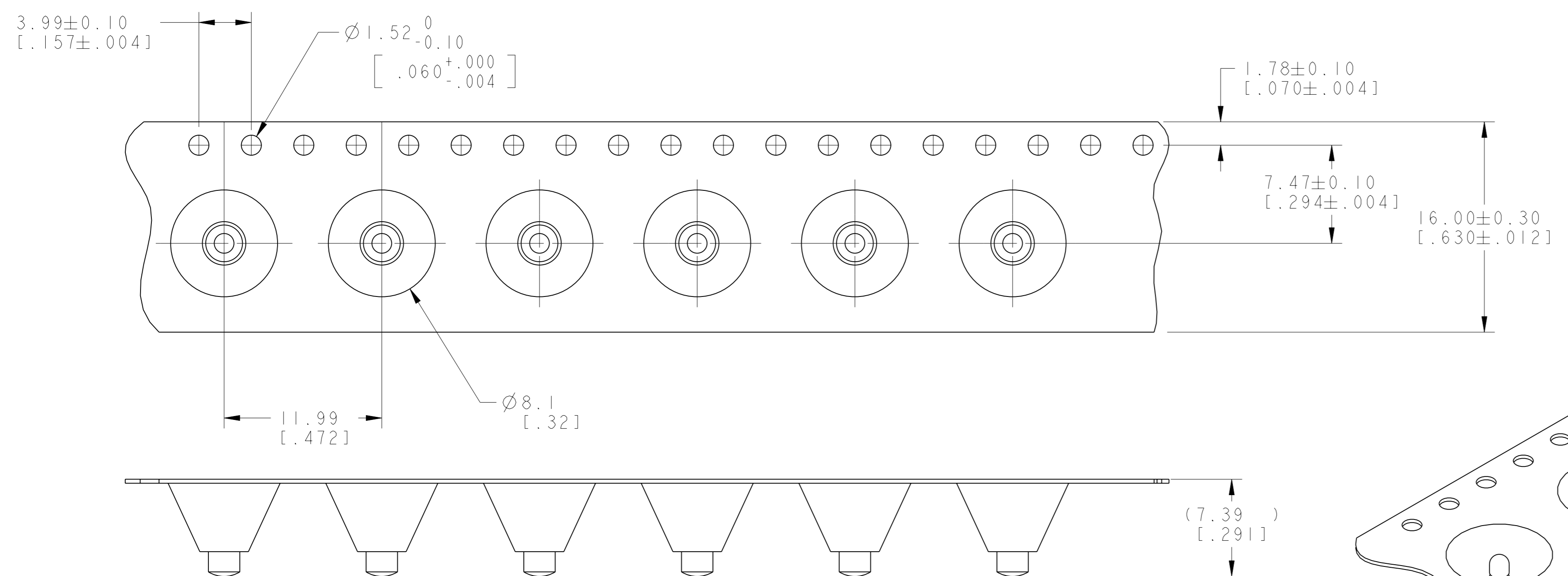
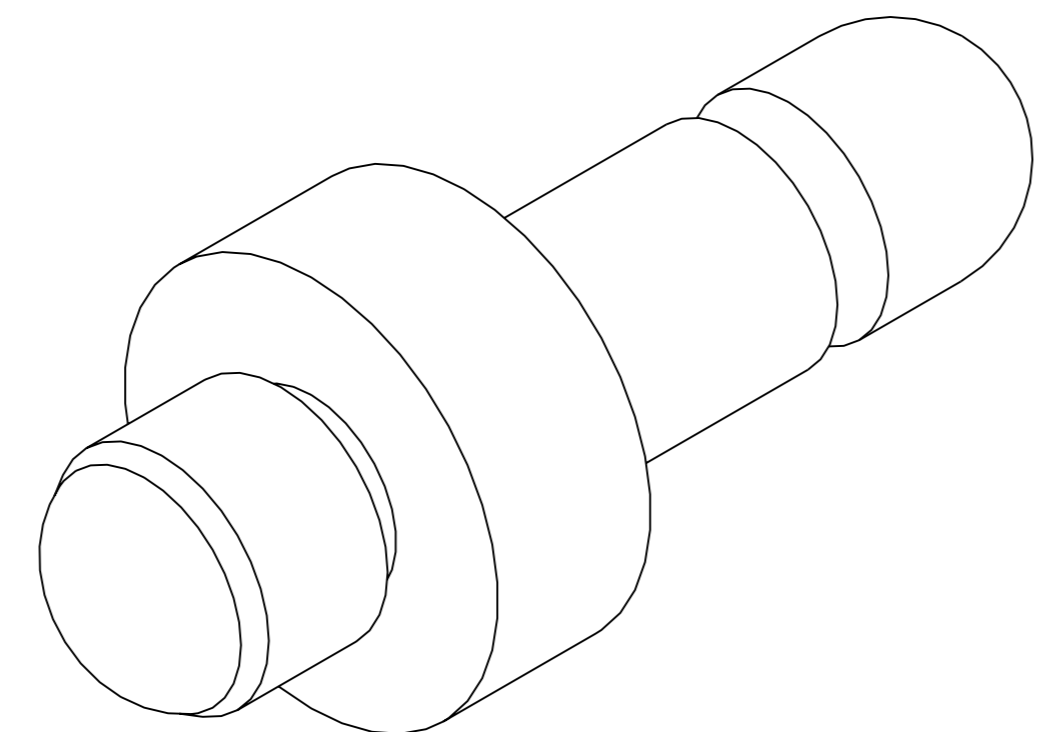


LOC	DIST	REVISIONS				
CM	00	REV	DESCRIPTION	DATE	DWN	APVD
		A	RELEASED PER WR-05-44	01AUG05	KW	JE



- △ PLATED WITH 0.00381 - 0.0635 [0.000150 - .000250] BRIGHT TIN ALL OVER.
- 2. PARTS TO COMPLY WITH TYCO ELECTRONICS SOLDERABILITY SPEC 109-11-2.
- △ COVER TAPE HEAT SEALED. REEL COUNT 1200 PIECES, 6 REELS PER BOX.



TAPE AND REEL DETAIL FOR 1744160-3
 SCALE 4:1

METRIC

△ 3	TAPE & REEL	△	1744160-3
	PACKAGING	FINISH	PART NO

<small>THIS DRAWING IS A CONTROLLED DOCUMENT FOR TYCO ELECTRONICS CORPORATION. IT IS UNPUBLISHED AND IS NOT TO BE REPRODUCED OR TRANSMITTED IN ANY FORM OR BY ANY MEANS, ELECTRONIC OR MECHANICAL, INCLUDING PHOTOCOPYING, RECORDING, OR BY ANY INFORMATION STORAGE AND RETRIEVAL SYSTEM, WITHOUT PERMISSION IN WRITING FROM TYCO ELECTRONICS CORPORATION.</small>		DWN K. WHITAKER 01AUG2005	NAME Tyco Electronics Harrisburg, PA 17105-3608
DIMENSIONS: mm [INCHES]		CHK J. ELLIS 01AUG2005	
TOLERANCES UNLESS OTHERWISE SPECIFIED: 0 PLC ± 1 PLC ± 2 PLC ±0.13 (1.005) 3 PLC ± 4 PLC ± ANGLES 40° 30'		APVD J. ELLIS 01AUG2005	PRODUCT SPEC
MATERIAL △		APPLICATION SPEC	SIZE A 00779C=1744160
FINISH △		WEIGHT	RESTRICTED TO
		CUSTOMER DRAWING	SCALE 25:1 SHEET 1 OF 1 REV A