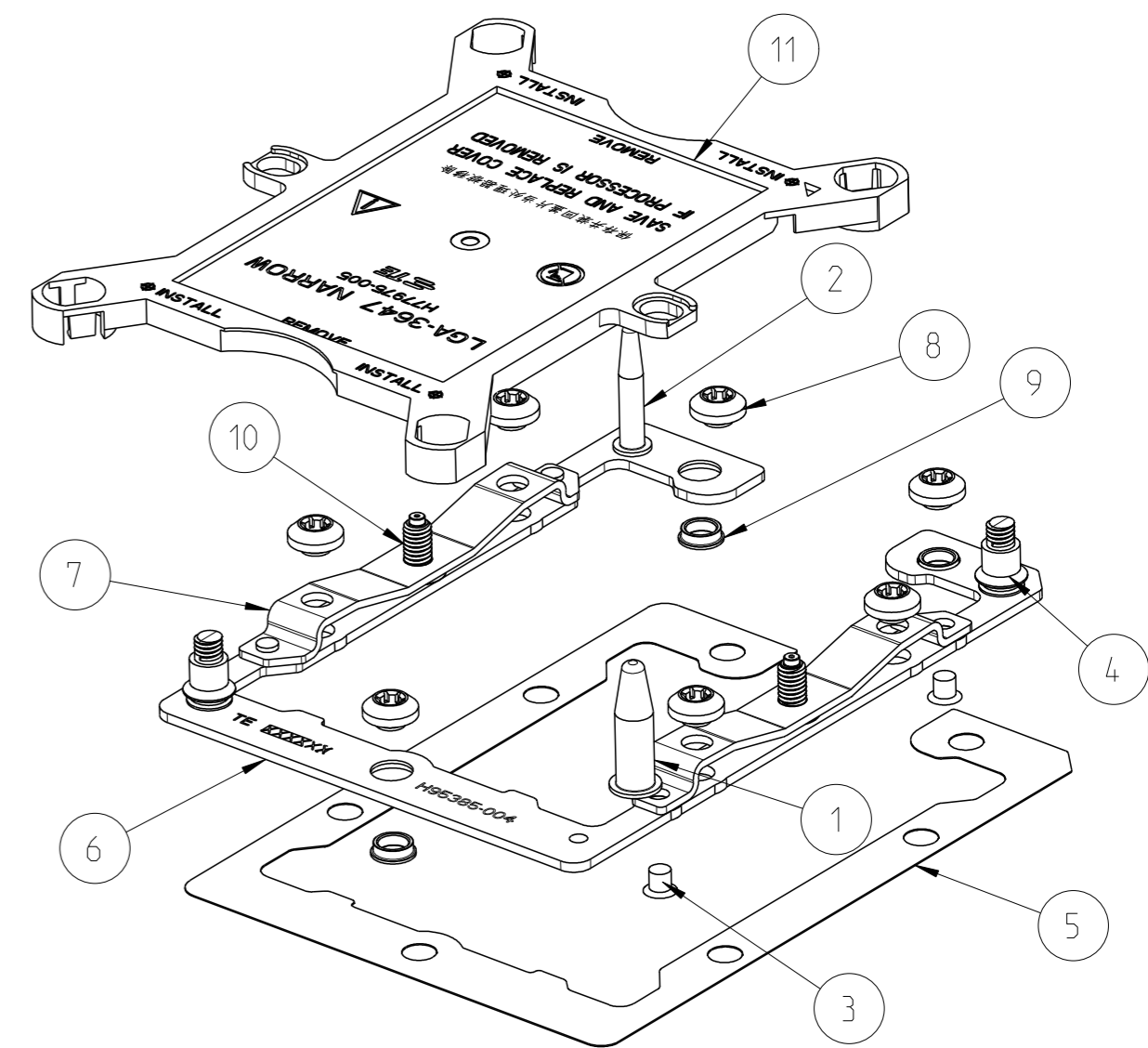
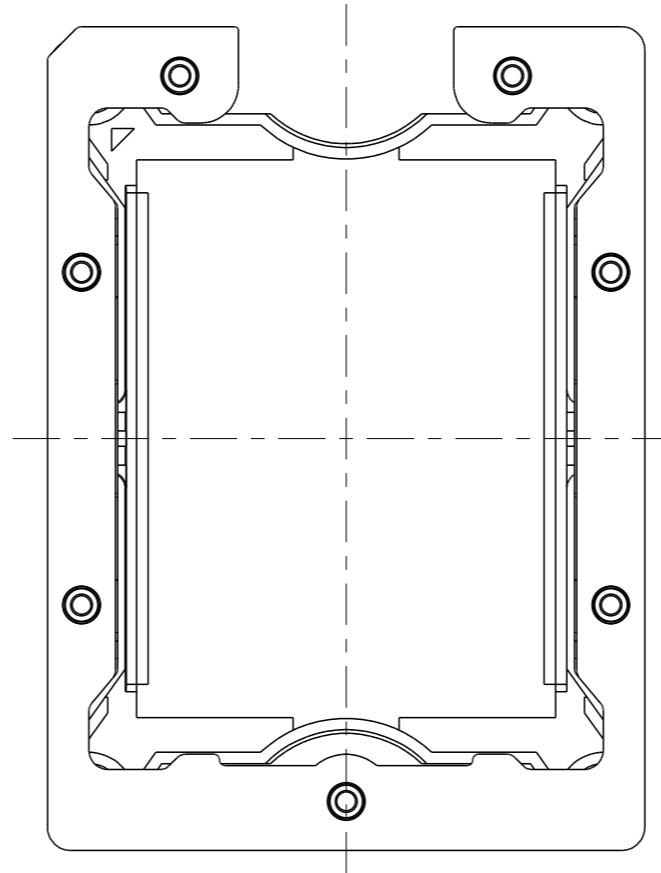
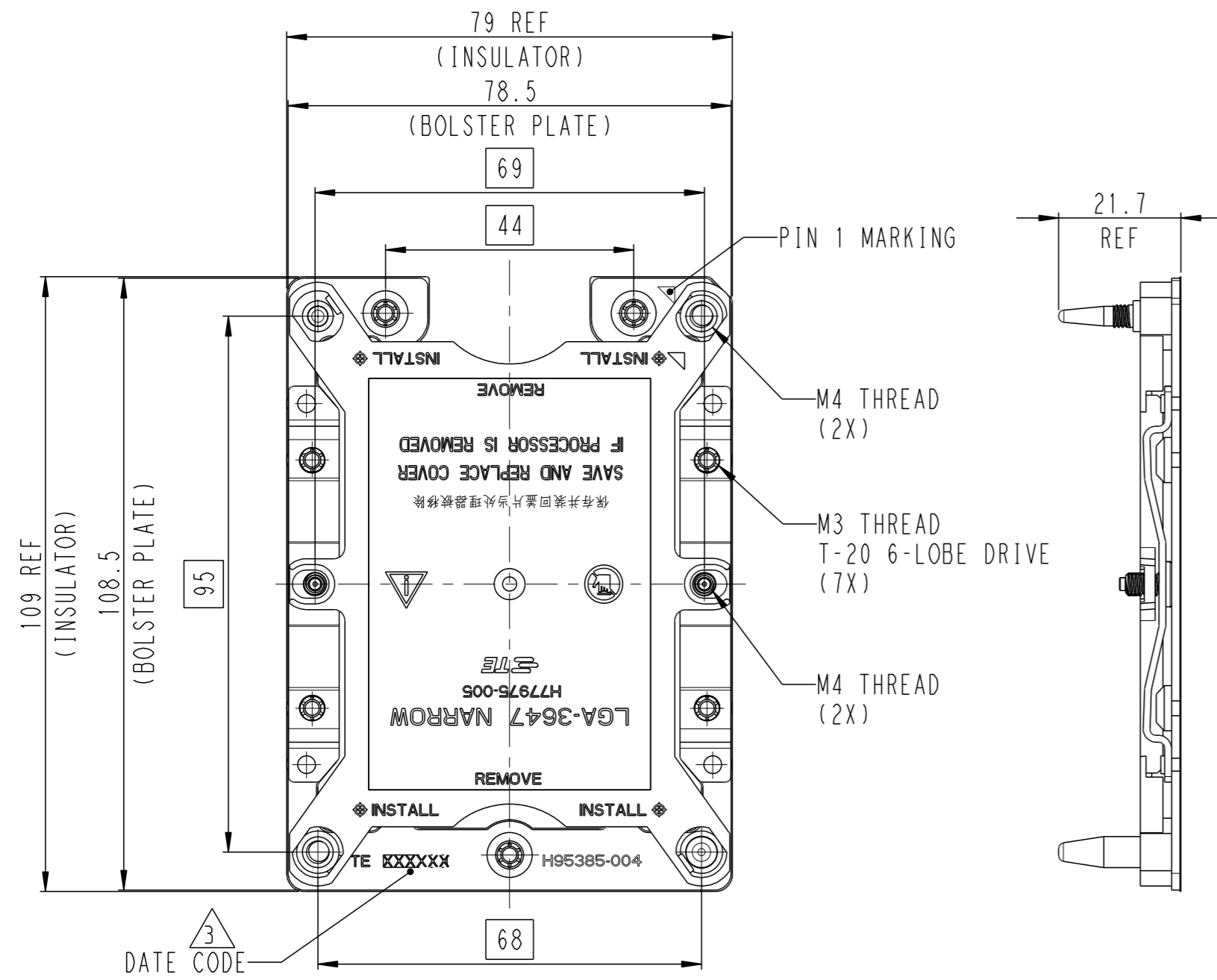


THIS DRAWING IS UNPUBLISHED. RELEASED FOR PUBLICATION  
 © COPYRIGHT copyright\_date - ALL RIGHTS RESERVED.

REVISIONS				
P	LTR	DESCRIPTION	DATE	APVD
	A1	REVISED	26DEC16	J.W C.W



P/N: 2299804-1 AS SHOW  
(NRW-NF TYPE WITH COVER)

- NOTES:
- MATERIAL:
    - BOLSTER LARGE GUIDE POST: STAINLESS STEEL
    - BOLSTER SMALL GUIDE POST: STAINLESS STEEL
    - SKT-P-KNL, SPRING RIVET: STAINLESS STEEL
    - SKX BOLSTER CORNER STANDOFF: STAINLESS STEEL
    - SKX NRW NON FABRIC BOLSTER INSULATOR: POLYCARBONATE FILM PLUS ACRYLIC ADHESIVE LAYER
    - SKX NRW NON FABRIC BOLSTER PLATE: STAINLESS STEEL
    - SKX-EP NRW SPRING: STAINLESS STEEL
    - SOCKET P M3 BOLSTER CAPTIVE NUT: CARBON STEEL, NICKEL PLATING
    - SOCKET P M3 BOLSTER CAPTIVE NUT COLLAR: CARBON STEEL, NICKEL PLATING
    - SKT-EP SPRING STUD: STAINLESS STEEL
    - NRW DUST COVER: THERMO-PLASTIC, UL94V-0, BLACK
  - ASSEMBLED WITH BOLSTER ASSEMBLY P/N: 2299805 SERIES
  - INDICATED DATE CODE ON THE BOLSTER PLATE

Q'TY	DESCRIPTION	ITEM
11	NRW DUST COVER	11
10	SKT-EP SPRING STUD	10
9	SOCKET P M3 BOLSTER CAPTIVE NUT COLLAR	9
8	SOCKET P M3 BOLSTER CAPTIVE NUT	8
7	SKX-EP NRW SPRING	7
6	SKX NRW NON FABRIC BOLSTER PLATE	6
5	SKX NRW NON FABRIC BOLSTER INSULATOR	5
4	SKX BOLSTER CORNER STANDOFF	4
3	SKT-P-KNL, SPRING RIVET	3
2	KNL BOLSTER SMALL GUIDE POST	2
1	KNL BOLSTER LARGE GUIDE POST	1

THIS DRAWING IS A CONTROLLED DOCUMENT.

DWN: JEFF WANG 23 JUN 2016  
 CHK: SIMON LI 23 JUN 2016  
 APVD: COREL WANG 23 JUN 2016

TE Connectivity

NAME: SKX-EP NRW-NF BOLSTER PLATE ASSY

PRODUCT SPEC: 108-115115  
 APPLICATION SPEC: 114-115011

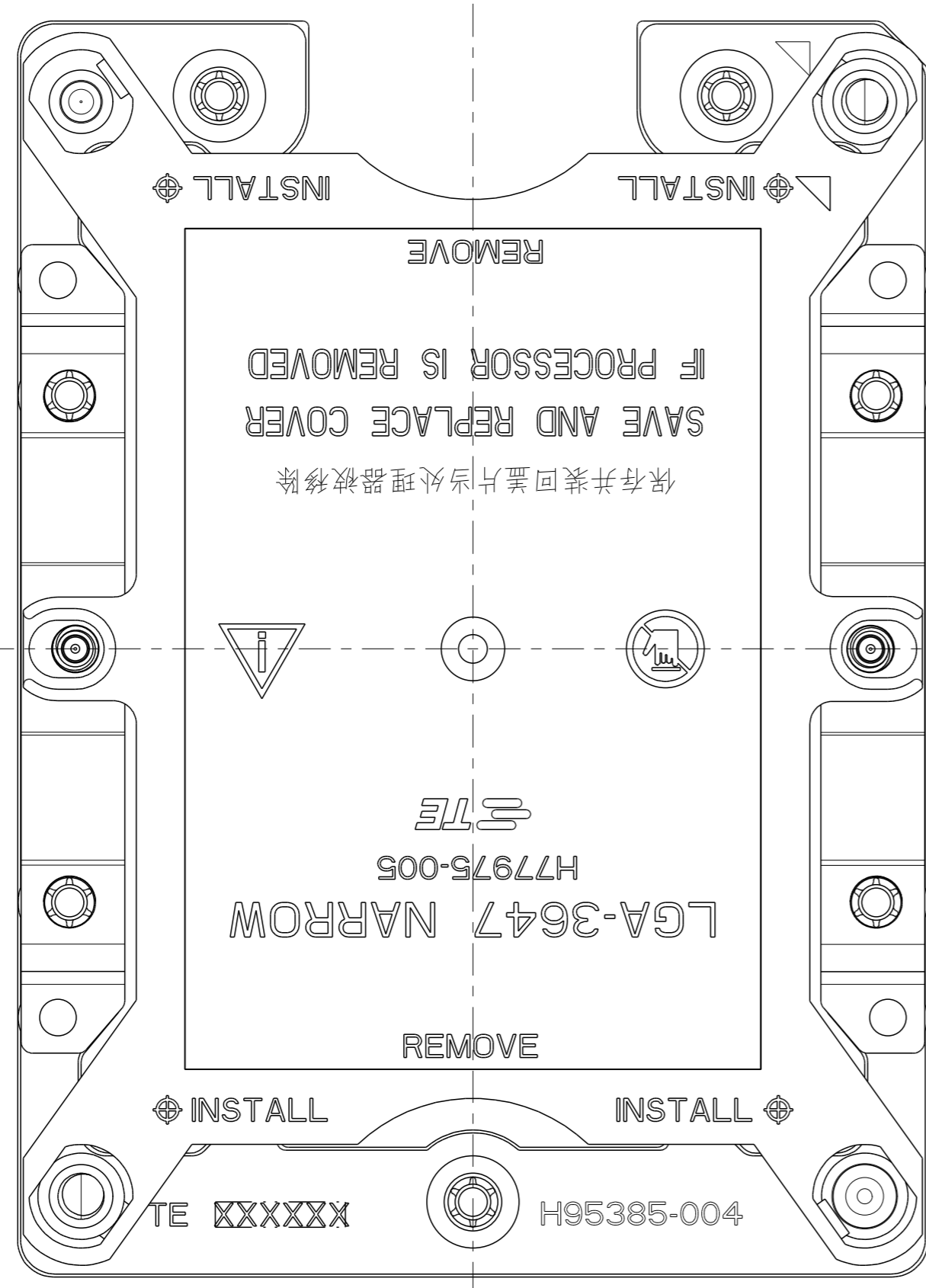
SIZE: A2  
 CAGE CODE: -  
 DRAWING NO: C-2299804  
 RESTRICTED TO: -

SCALE: 1:1  
 SHEET: 1 OF 2  
 REV: A1

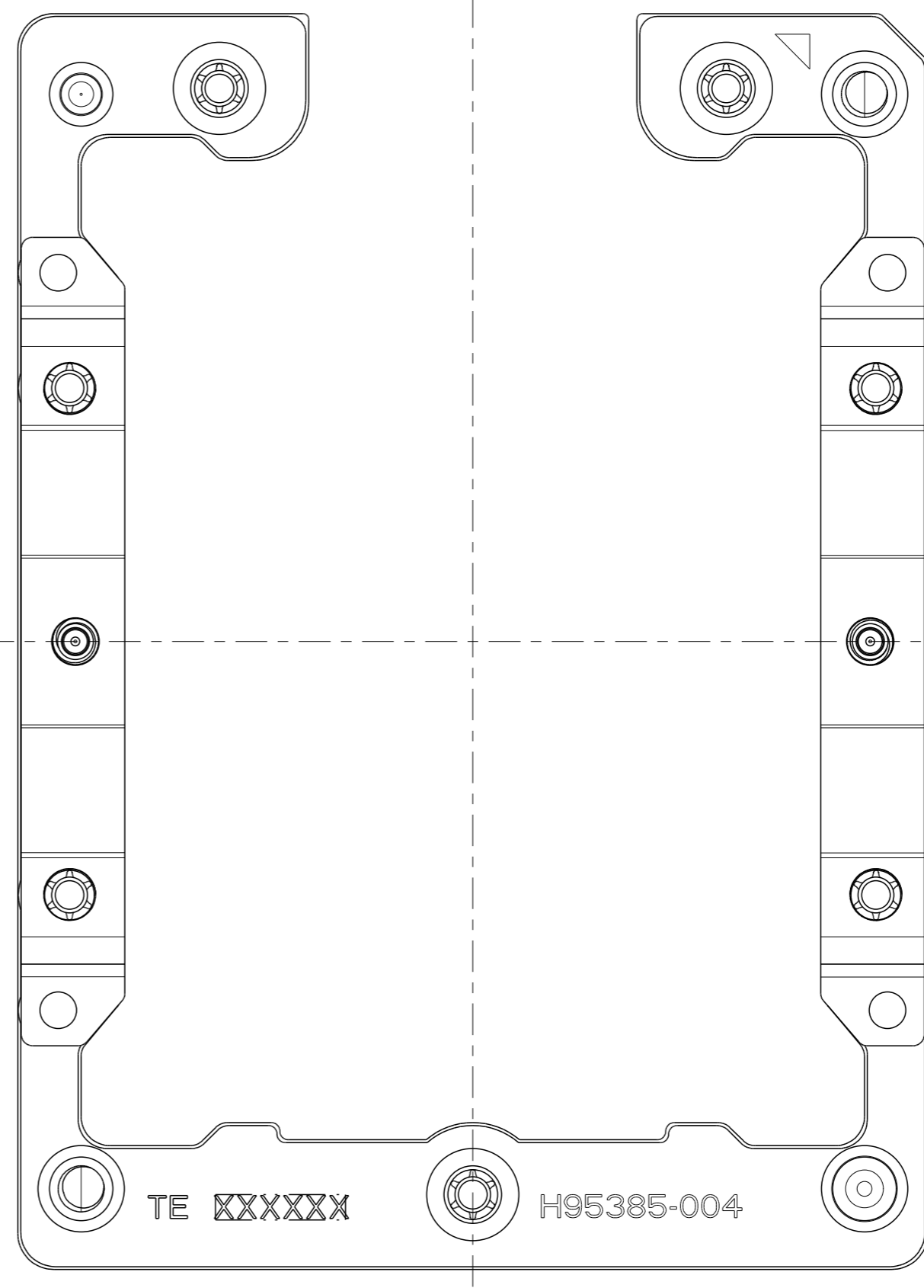
CUSTOMER DRAWING

THIS DRAWING IS UNPUBLISHED. RELEASED FOR PUBLICATION  
 © COPYRIGHT copyright\_date BY - ALL RIGHTS RESERVED.

REVISIONS				
P	LTR	DESCRIPTION	DATE	APVD
-	-	SEE SHEET 1	-	-



NRW-NF TYPE WITH COVER  
 P/N: 2299804-1



NRW-NF TYPE WITHOUT COVER  
 P/N: 2299804-3  
 ALL DIMENSIONS SAME WITH -1

THIS DRAWING IS A CONTROLLED DOCUMENT.		DWN JEFF WANG 23JUN2016	<b>STC</b> TE Connectivity	
DIMENSIONS: mm		CHK SIMON LI 23JUN2016		
TOLERANCES UNLESS OTHERWISE SPECIFIED: 0 PLC ±0.3 1 PLC ±0.3 2 PLC ±0.3 3 PLC ±0.3 4 PLC ±0.3 ANGLES ±3 FINISH		APVD COREL WANG 23JUN2016	NAME SKX-EP NRW-NF BOLSTER PLATE ASSY	
MATERIAL		PRODUCT SPEC 108-115115	SIZE A2	CAGE CODE -
		APPLICATION SPEC 114-115011	DRAWING NO C=2299804	RESTRICTED TO -
		WEIGHT -	SCALE 2:1 SHEET 2 OF 2 REV A1	
		CUSTOMER DRAWING		