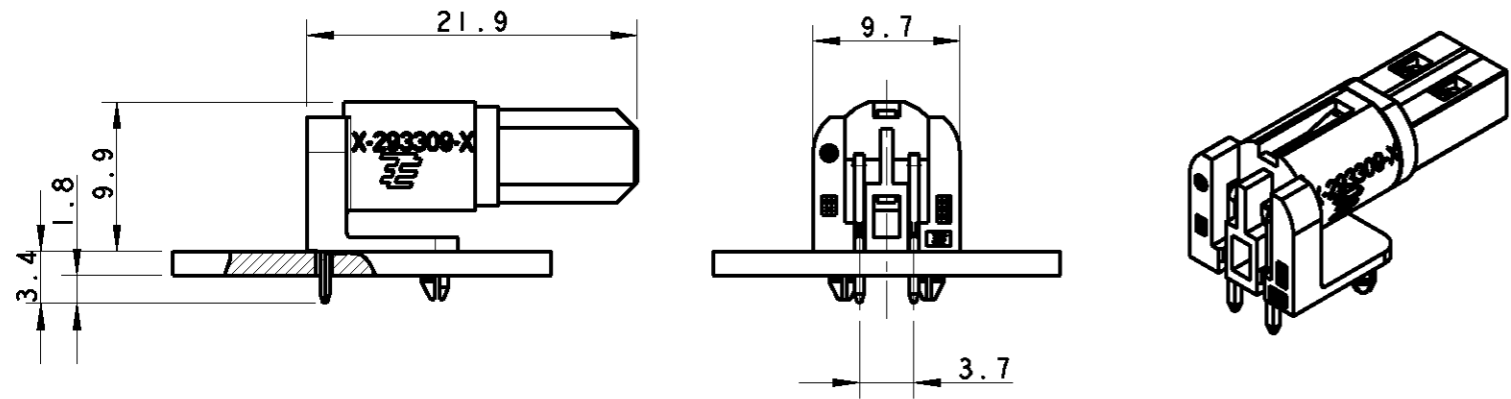


THIS DRAWING IS UNPUBLISHED. RELEASED FOR PUBLICATION 20

© COPYRIGHT 20 BY TYCO ELECTRONICS CORPORATION. ALL RIGHTS RESERVED.

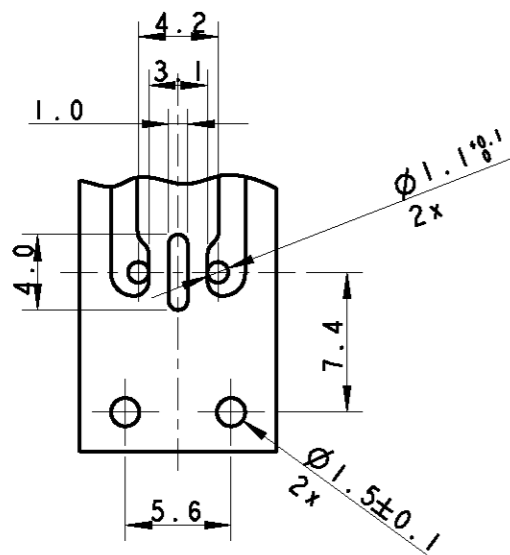
LOC	DIST	REVISIONS					
1	2	P	LTR	DESCRIPTION	DATE	DWN	APVD
			A	FIRST ISSUE	18FEB2010	AV	GT
			AI	REVISED PCB HOLES LAYOUT	04APR2011	AV	GT

TYPICAL APPLICATION

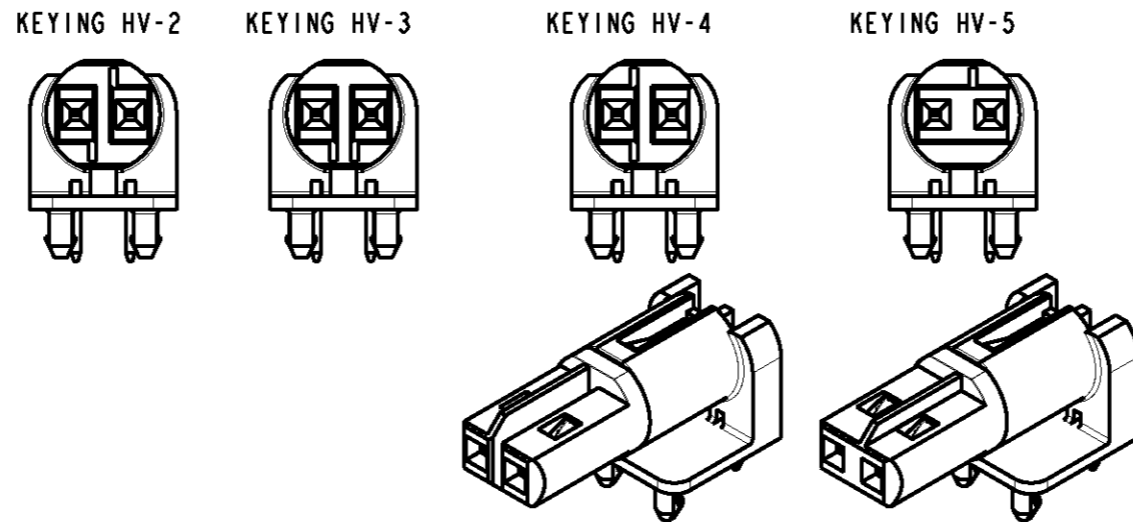


PRINTED CIRCUIT BOARD LAYOUT

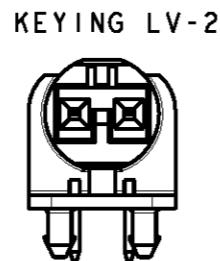
TOLERANCES UNLESS OTHERWISE SPECIFIED ± 0.05
PRINTED CIRCUIT BOARD THICKNESS: 1.6 mm NOMINAL



HIGH VOLTAGE



LOW VOLTAGE



MATERIALS:

- 1) CONTACTS: SOLDERING SIDE TIN PLATED Ph. BRONZE RECEPTACLE IN SPECIAL ALLOY COPPER TIN PLATED
- HOUSING: PBT 15%GF UL 94 V0 WHITE COLOR

△2 TO BE USED FOR SWITCH APPLICATION ONLY

△3 NOT YET RELEASED FOR PRODUCTION

NOTE	KEYING	REMARKS	PART NUMBER	REV.
△3	LV-2	LOW-VOLT 42 V DC	293654-5	A
△3	HV-5	HIGH-VOLT 125 V AC	293654-4	A
△3	HV-4	HIGH-VOLT 125 V AC	293654-3	A
△3	HV-3	HIGH-VOLT 125 V AC	293654-2	A
△2 △3	HV-2	HIGH-VOLT 125 V AC	293654-1	A

THIS DRAWING IS A CONTROLLED DOCUMENT FOR TYCO ELECTRONICS CORPORATION IT IS SUBJECT TO CHANGE AND THE CONTROLLING ENGINEERING ORGANIZATION SHOULD BE CONTACTED FOR THE LATEST REVISION.		DWN A. Vecchia 18FEB2010	Tyco Electronics Tyco Electronics AMP Italia S.r.l. 10093 Collegno TO	
DIMENSIONS: mm		CHK G. Turco 18FEB2010	NAME 7.5 mm PCB CONNECTOR ASSEMBLY 90 DEGREE FEMALE VERSION FOR USA MARKET	
TOLERANCES UNLESS OTHERWISE SPECIFIED: 0 PLC ±0.5 1 PLC ±0.3 2 PLC ±0.3 3 PLC ±0.3 4 PLC ±0.3 ANGLES ±0.5°		APVD G. TURCO 18FEB2010		
MATERIAL -		PRODUCT SPEC -	SIZE A3	CAGE CODE 00779
FINISH -		APPLICATION SPEC -	DRAWING NO C-293654	RESTRICTED TO -
CUSTOMER DRAWING		WEIGHT -	SCALE 2:1	SHEET 1
			OF 1	REV AI