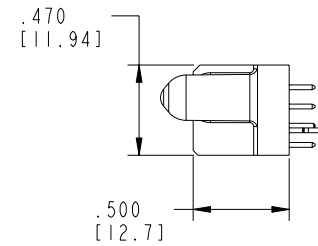
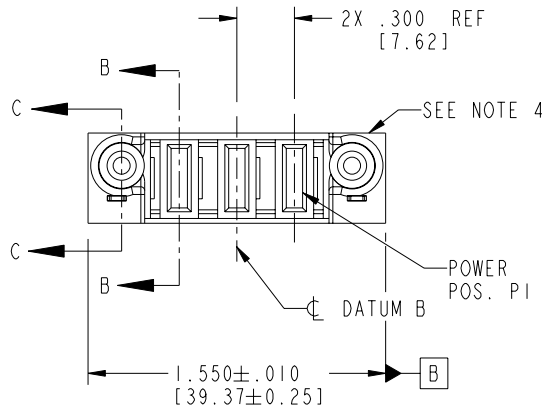


Tous droits strictement reserves. Reproduction ou communication a des tiers interdite sous quelque forme que ce soit sans autorisation écrite du propriétaire. Propriete de c FCI. Droits de reproduction FCI.



All rights strictly reserved. Reproduction or issue to third parties in any form whatever is not permitted without written authority from the proprietor. Property of FCI. Copyright FCI.

PRODUCT NO.	POWER				
	E2	P3	P2	P1	E1
51816-001-- NOTE: ③					



CODE	DIM "M" MATING LENGTH	CONTACT TYPE
PA	.042 [1.07]	POWER
PD	.092 [2.34]	POWER
HA	N/A [N/A]	HOLD-DOWN

mat'l code				SEE NOTE 2		tolerances unless otherwise specified		CUSTOMER		 www.fciconnect.com	
ltr	ecn no.	dr	date	linear	.XX ± .01/0.X ± 0.3		COPY		title		
A	V10970	CGD	03/05/01		.XXX ± .005/0.XX ± 0.13		projection		3ACP		
B	V03-1324	TAB	12/12/03		.XXX ± .0020/0.XX ± 0.051				VERTICAL SOLDER RECEPT		
C	DG05-0295	CS	08/25/05	angles	0° ± 2°				product family		
				dr	C. DAILY	03/05/01	INCH/MM		PwrBlade		code
				engr	J. DODDS	03/05/01	scale		size		213
				chr	J. DODDS	03/05/01	1:1		dwg no		sheet
				appd	J. DODDS	03/05/01			A 51816-001		1 of 4
sheet index		revision sheet		C	C	C	C				
		1 2		3	4						

Pro/E

cage code 22526

Tous droits strictement reserves. Reproduction ou communication a des tiers interdite sous quelque forme que ce soit sans autorisation ecrite du proprietaire. Propriete de c FCI. Droits de reproduction FCI.

FCI

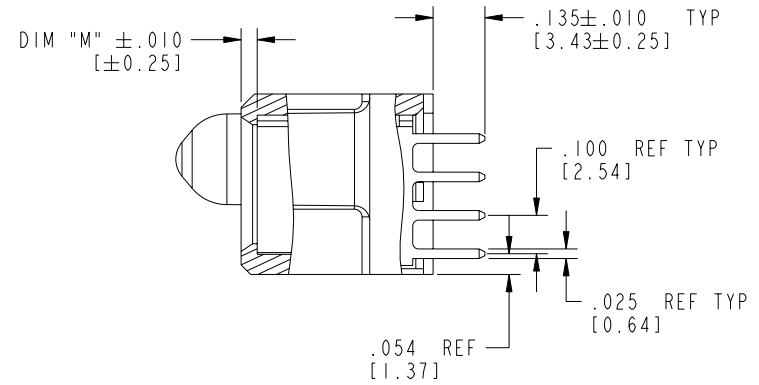
All rights strictly reserved. Reproduction or issue to third parties in any form whatever is not permitted without written authority from the proprietor. Property of FCI. Copyright FCI.

PRODUCT NUMBER
51816-001--
NOTE: ③

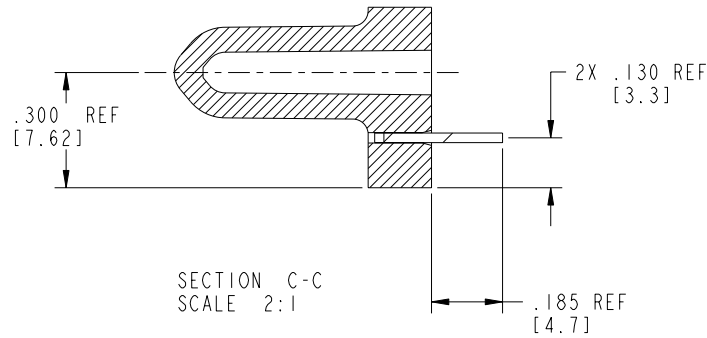
1 | 2

3 |

4



SECTION B-B
SCALE 2:1



SECTION C-C
SCALE 2:1

mat'l code				SEE NOTE 2		tolerances unless otherwise specified		CUSTOMER		 www.fciconnect.com	
ltr	ecn no.	dr	date	linear	.XX±.01/0.X±0.3		COPY		title		
C					.XXX±.005/0.XX±0.13		projection		3ACP		
				angles	.XXX±.0020/0.XXX±0.051				VERTICAL SOLDER RECEIPT		
					0°±?				product family		
				dr	C. DAILY	03/05/01	INCH/MM		PwrBlade		code
				enr	J. DODDS	03/05/01	scale		size		213
				chr	J. DODDS	03/05/01	1:1		A		sheet
				appd	J. DODDS	03/05/01			51816-001		2 of 4
sheet index		revision sheet									

1 | 2

Pro/E

3 |

cage code 22526

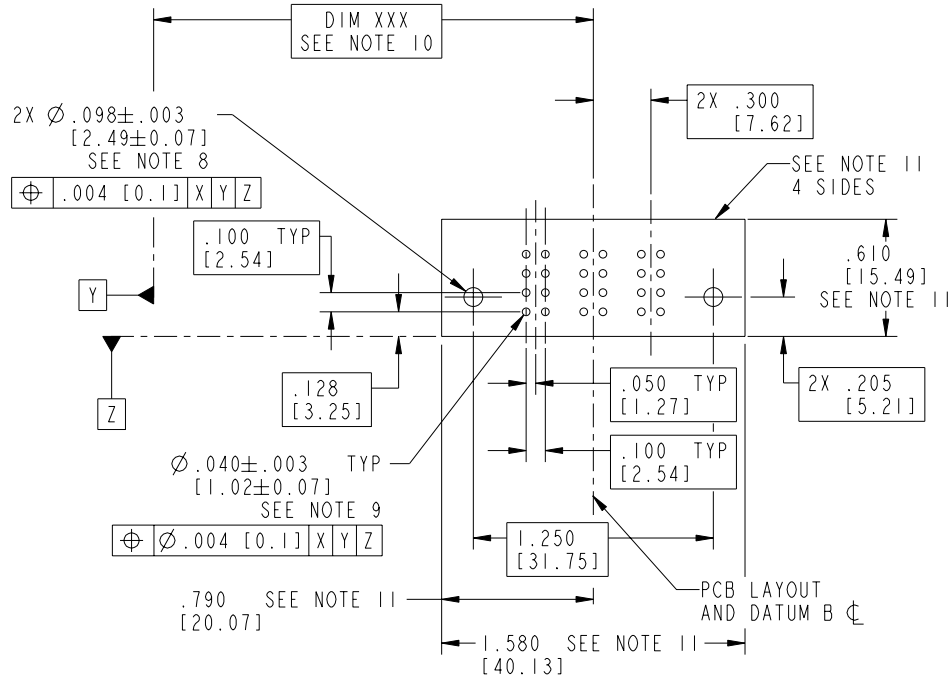
4

Tous droits strictement reserves. Reproduction ou communication a des tiers interdite sous quelque forme que ce soit sans autorisation ecrite du proprietaire. Propriete de c FCI. Droits de reproduction FCI.

All rights strictly reserved. Reproduction or issue to third parties in any form whatever is not permitted without written authority from the proprietor. Property of FCI. Copyright FCI.



PRODUCT NUMBER
51816-001--
NOTE: ③



mat'l code				SEE NOTE 2		tolerances unless otherwise specified		CUSTOMER		FCI www.fciconnect.com	
ltr	ecn no.	dr	date	linear	.XX±.01/0.X±0.3		COPY		projection	title	
C					.XXX±.005/0.XX±0.13					3ACP	
				angles	.XXX±.002/0.XX±0.051		INCH/MM		VERTICAL SOLDER RECEIPT		
				dr	C. DAILY	03/05/01	1		product family		
				enr	J. DODDS	03/05/01	1		PwrBlade		
				chr	J. DODDS	03/05/01	1		code		
				appd	J. DODDS	03/05/01	1		213		
sheet index		revision sheet		scale		1:1		size		sheet	
								A 51816-001		3 of 4	

cage code 22526

Pro/E

PDM: Rev:C

STATUS: Released

Printed: Dec 20, 2010

Tous droits strictement réservés. Reproduction ou communication a des tiers interdite sous quelque forme que ce soit sans autorisation écrite du propriétaire. Propriété de c FCI. Droits de reproduction FCI.

A **FCI**

All rights strictly reserved. Reproduction or issue to third parties in any form whatever is not permitted without written authority from the proprietor. Property of FCI. Copyright FCI.

B

PRODUCT NUMBER
51816-001--
NOTE: ③

NOTES:

1. DIMENSIONS AND TOLERANCES ARE IN ACCORDANCE WITH ASME Y14.5M, 1994 UNLESS OTHERWISE SPECIFIED.

CONNECTOR NOTES:

② HOUSING MATERIAL: UL 94 V-0 GLASS FILLED
HIGH-TEMP THERMOPLASTIC
POWER CONTACT MATERIAL: COPPER ALLOY
SIGNAL PIN MATERIAL: COPPER ALLOY

3. PLATING:
51816-001 Singal Pin:30u"/0.76um Au OVER 50u"/1.27um Ni ON THE CONTACT AREA,
AND 100u"/2.54um SnPb PLATING OVER 50u"/1.27um Ni ON THE TERMINATION SECTION.
Power Pin:30u"/0.76um Au OVER 50u"/1.27um Ni ON THE CONTACT AREA,
AND 100u"/2.54um SnPb PLATING OVER 50u"/1.27um Ni ON THE TERMINATION SECTION.
51816-001LF Singal Pin:30u"/0.76um Au OVER 50u"/1.27um Ni ON THE CONTACT AREA,
AND 78u"/2.00um Sn PLATING OVER 50u"/1.27um Ni ON THE TERMINATION SECTION.
Power Pin:30u"/0.76um Au OVER 50u"/1.27um Ni ON THE CONTACT AREA,
AND 78u"/2.00um Sn PLATING OVER 50u"/1.27um Ni ON THE TERMINATION SECTION.

PART NUMBER 51816-001LF MEETS EUROPEAN UNION DIRECTIVE AND OTHER COUNTRY REGULATIONS AS DESCRIBED IN GS-22-008.

THE HOUSING WILL WITHSTAND EXPOSURE TO 260° PEAK TEMPERATURE FOR 10 SECONDS IN A WAVE SOLDER APPLICATION WITH A CIRCUIT BOARD.

④ MANUFACTURER'S NAME, P/N, AND DATE CODE TO APPEAR ON THIS SURFACE.

5. PRODUCT SPECIFICATION GS-12-149.
APPLICATION SPECIFICATION BUS-20-067.

6. PACKAGED IN TRAYS.

PCB NOTES:


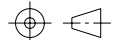


7. ALL HOLE DIAMETERS ARE FINISHED HOLE SIZE.

⑧ MOUNTING HOLES, WHERE APPLICABLE, ARE UNPLATED.

⑨ $\varnothing .0453 \pm .0010$ [1.151±0.025] DRILLED HOLES PLATED WITH
.0003 [0.008] MIN SnPb OVER .001 [0.03]
TO .003 [0.08] Cu PLATING TO ACHIEVE
 $\varnothing .040 \pm .003$ [1.02±.07] HOLE.

⑩ "DIM XXX" TO BE DETERMINED BY THE CUSTOMER.

⑪ CONNECTOR KEEP-OUT ZONE.

mat'l code		SEE NOTE 2		tolerances unless otherwise specified		CUSTOMER		 FCI www.fciconnect.com	
ltr	ecn no.	dr	date	linear	.XX±.01/0.X±0.3	COPY			
C				projection	.XXX±.005/0.XX±0.13			title	3ACP
				angles	.XXX±.0020/0.XXX±0.051			VERTICAL SOLDER RECEPT	
		dr	C. DAILY	03/05/01	INCH/MM		product family	PwrBlade	code
		engr	J. DODDS	03/05/01			size	dwg no	213
		chr	J. DODDS	03/05/01	scale		A	51816-001	sheet
		appd	J. DODDS	03/05/01	1:1				4 of 4
sheet index	revision sheet								

1 | 2

Pro/E

3 |

cage code 22526

4