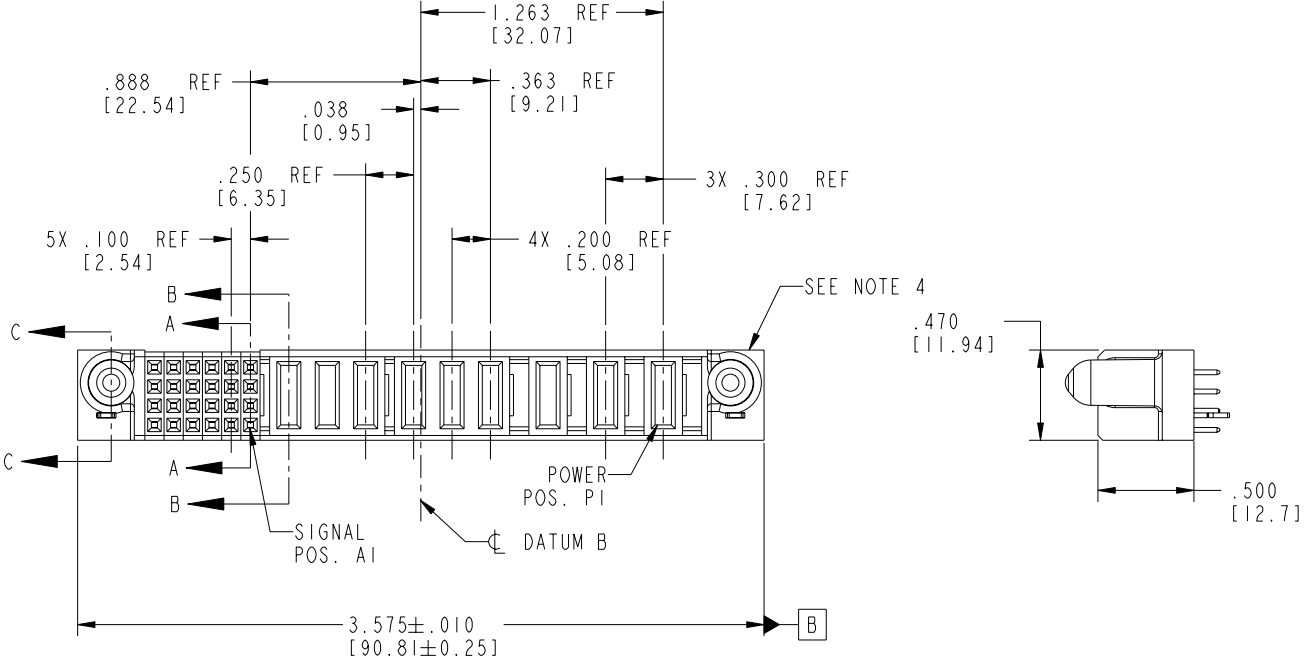


Tous droits strictement réservés. Reproduction ou communication a des tiers interdite sous quelque forme que ce soit sans autorisation écrite du propriétaire. Propriété de c FCI. Droits de reproduction FCI.

All rights strictly reserved. Reproduction or issue to third parties in any form whatever is not permitted without written authority from the proprietor. Property of FCI. Copyright FCI.



PRODUCT NO.	ROWS	SIGNAL								POWER									
		E2	6	5	4	3	2	1	P9	P8	P7	P6	P5	P4	P3	P2	P1	E1	
51940-117-- NOTE: 3	D C B A																		



CODE	DIM "M" MATING LENGTH	CONTACT TYPE
PD	.092 [2.34]	POWER
E	N/A [N/A]	SIGNAL
HA	N/A [N/A]	HOLD-DOWN
PA	.042 [1.07]	POWER

mat'l code	SEE NOTE 2		tolerances unless otherwise specified		CUSTOMER	FCI www.fciconnect.com
ltr	ecn no.	dr	date	linear	.XX±.01/0.X±0.3	projection
A	DG05-0018	LH	01/28/05		.XXX±.005/0.XXX±0.13	
B	DG05-0275	GuoJM	08/10/05	angles	.XXXX±.0020/0.XXX±0.051	INCH/MM scale 1:1
				dr	LH 01/28/05	
				enrg	LH 01/28/05	product family PwrBlade code 213 size dwg no 51940-117 sheet 1 of 4
				chr	VICTOR LIN 01/28/05	
				appd	JOSEPH HSIA 01/28/05	cage code 22526
sheet index	revision sheet	B 1	B 2	B 3	B 4	

Pro/E

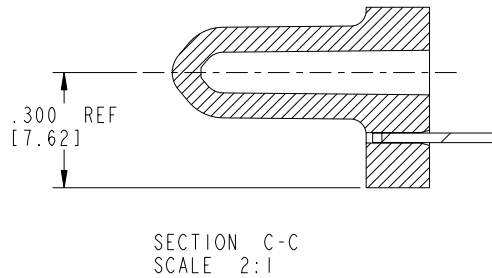
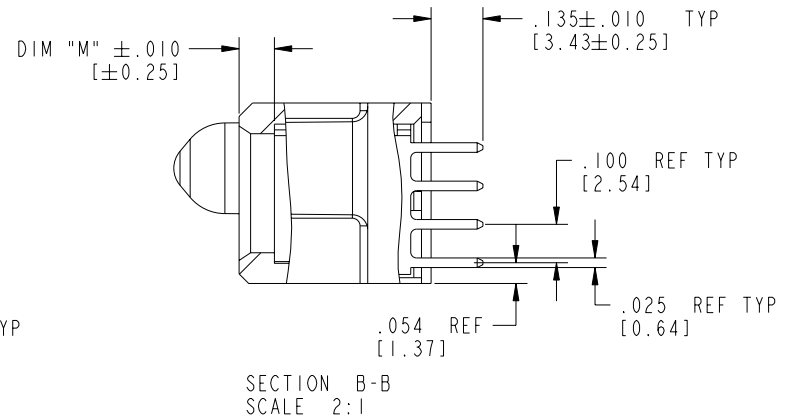
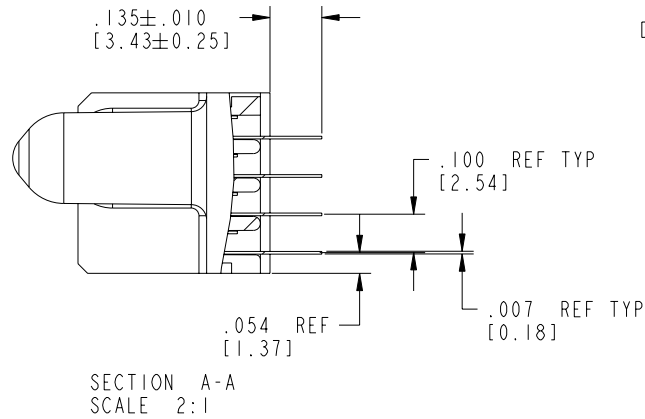
cage code 22526

Tous droits strictement reserves. Reproduction ou communication a des tiers interdite sous quelque forme que ce soit sans autorisation écrite du propriétaire. Propriete de c FCI. Droits de reproduction FCI.

A
FCI

All rights strictly reserved. Reproduction or issue to third parties in any form whatever is not permitted without written authority from the proprietor. Property of FCI. Copyright FCI.

PRODUCT NUMBER
51940-117__
NOTE: 3



mat'l code				SEE NOTE 2		tolerances unless otherwise specified		CUSTOMER		A FCI www.fciconnect.com	
ltr	ecn no.	dr	date	linear	.XX±.01/0.X±0.3		COPY		title 9P + 24S		
B					.XXX±.005/0.XX±0.13		projection		VERTICAL SOLDER RECEIPT		
				angles	.XXX±.0020/0.XXX±0.051		INCH/MM		product family PwrBlade code 213		
				dr	LH	01/28/05	scale		size 51940-117 sheet 2 of 4		
				enr	LH	01/28/05	1:1				
				chr	VICTOR LIN	01/28/05					
				appd	JOSEPH HSIA	01/28/05					
sheet index	revision sheet										

Pro/E

cage code 22526

PDM: Rev:B

STATUS: Released

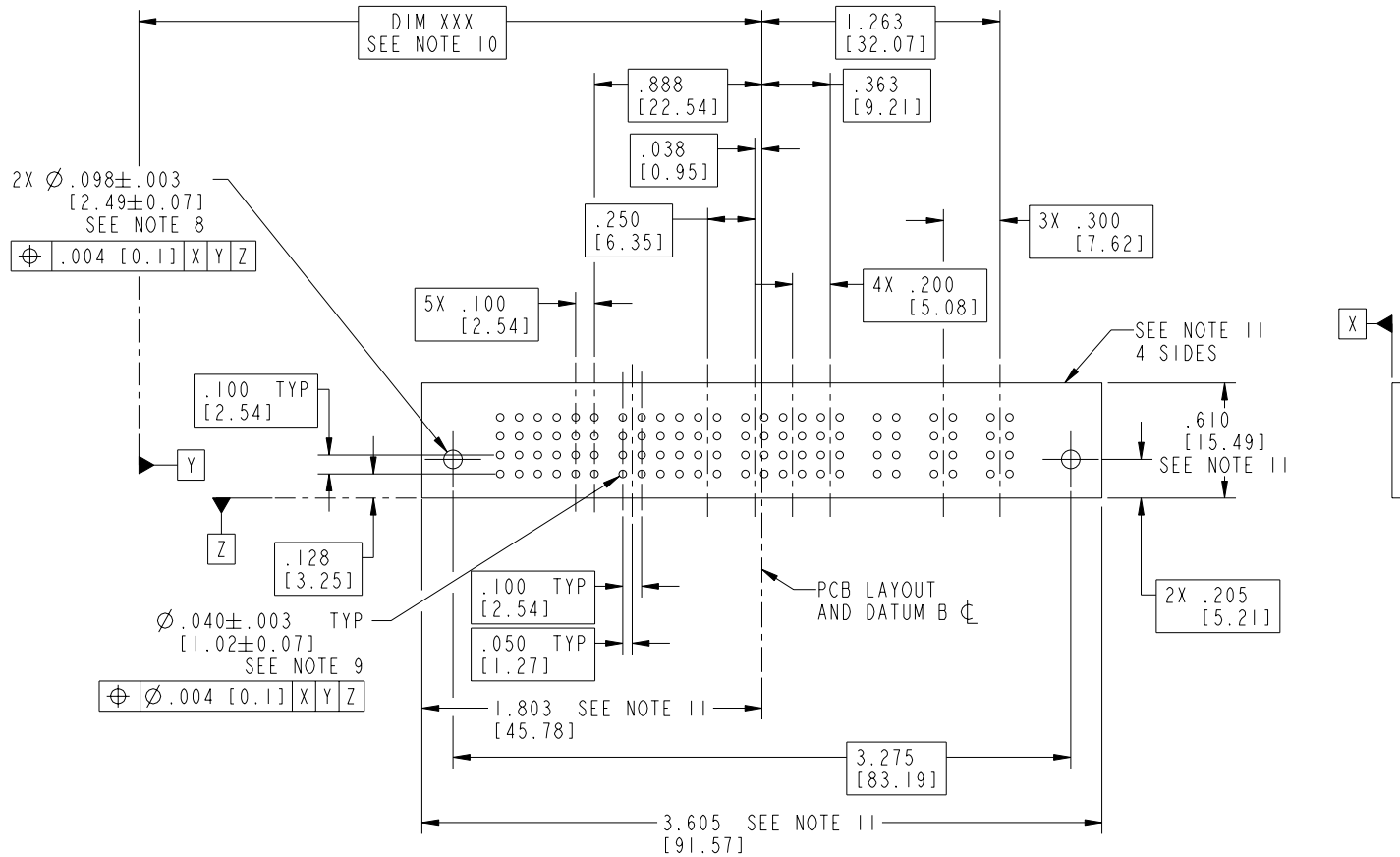
Printed: Dec 20, 2010

Tous droits strictement réservés. Reproduction ou communication a des tiers interdite sous quelque forme que ce soit sans autorisation écrite du propriétaire. Propriété de c FCI. Droits de reproduction FCI.

FCI

All rights strictly reserved. Reproduction or issue to third parties in any form whatever is not permitted without written authority from the proprietor. Property of FCI. Copyright FCI.

PRODUCT NUMBER
51940-117__
NOTE: 3



mat'l code		SEE NOTE 2		tolerances unless otherwise specified		CUSTOMER		FCI www.fciconnect.com	
ltr	ecn no.	dr	date	linear	.XX±.01/0.X±0.3	COPY		title 9P + 24S	
B				projection	.XXX±.005/0.XX±0.13	INCH/MM		VERTICAL SOLDER RECEIPT	
				angles	.XXX±.0020/0.XX±0.051	scale		product family PwrBlade code 213	
				dr	LH 01/28/05	1:1		size dwg no	
				enrg	LH 01/28/05			A 51940-117 sheet 3 of 4	
				chr	VICTOR LIN 01/28/05				
				appd	JOSEPH HSIA 01/28/05				
sheet index	revision sheet								

cage code 22526

Pro/E

PDM: Rev:B

STATUS: Released

Printed: Dec 20, 2010

Tous droits strictement réservés. Reproduction ou communication a des tiers interdite sous quelque forme que ce soit sans autorisation écrite du propriétaire. Propriété de c FCI. Droits de reproduction FCI.

FCI

All rights strictly reserved. Reproduction or issue to third parties in any form whatever is not permitted without written authority from the proprietor. Property of FCI. Copyright FCI.

1 | 2

3 |

4

PRODUCT NUMBER

51940-117__
NOTE: 3

NOTES:

1. DIMENSIONS AND TOLERANCES ARE IN ACCORDANCE WITH ASME Y14.5M, 1994 UNLESS OTHERWISE SPECIFIED.

CONNECTOR NOTES:

2 HOUSING MATERIAL: UL 94 V-0 GLASS FILLED

HIGH-TEMP THERMOPLASTIC
POWER CONTACT MATERIAL: COPPER ALLOY
SIGNAL PIN MATERIAL: COPPER ALLOY

3. PLATING:

51940-117 Singal Pin:30u"/0.76um Au OVER 50u"/1.27um Ni ON THE CONTACT AREA,
AND 100u"/2.54um SnPb PLATING OVER 50u"/1.27um Ni ON THE TERMINATION SECTION.
Power Pin:30u"/0.76um Au OVER 50u"/1.27um Ni ON THE CONTACT AREA,
AND 100u"/2.54um SnPb PLATING OVER 50u"/1.27um Ni ON THE TERMINATION SECTION.

51940-117LF Singal Pin:30u"/0.76um Au OVER 50u"/1.27um Ni ON THE CONTACT AREA,
AND 78u"/2.00um Sn PLATING OVER 50u"/1.27um Ni ON THE TERMINATION SECTION.
Power Pin:30u"/0.76um Au OVER 50u"/1.27um Ni ON THE CONTACT AREA,
AND 78u"/2.00um Sn PLATING OVER 50u"/1.27um Ni ON THE TERMINATION SECTION.

PART NUMBER 51940-117LF MEETS EUROPEAN UNION DIRECTIVE AND OTHER COUNTRY REGULATIONS AS DESCRIBED IN GS-22-008.

THE HOUSING WILL WITHSTAND EXPOSURE TO 260° PEAK TEMPERATURE FOR 10 SECONDS IN A WAVE SOLDER APPLICATION WITH A CIRCUIT BOARD.

4 MANUFACTURER'S NAME, P/N, AND DATE CODE TO APPEAR ON THIS SURFACE.

5. PRODUCT SPECIFICATION GS-12-149.
APPLICATION SPECIFICATION BUS-20-067.

6. PACKAGED IN TRAYS.

PCB NOTES:

7. ALL HOLE DIAMETERS ARE FINISHED HOLE SIZE.

8 MOUNTING HOLES, WHERE APPLICABLE, ARE UNPLATED.

9 $\varnothing .0453 \pm .0010$ [1.151 ± 0.025] DRILLED HOLES PLATED WITH
.0003 [0.008] MIN SnPb OVER .001 [0.03]
TO .003 [0.08] Cu PLATING TO ACHIEVE
 $\varnothing .040 \pm .003$ [1.02 ± .07] HOLE.

10 "DIM XXX" TO BE DETERMINED BY THE CUSTOMER.

11 CONNECTOR KEEP-OUT ZONE.

mat'l code		SEE NOTE 2		tolerances unless otherwise specified		CUSTOMER		FCI www.fciconnect.com	
ltr	ecn no.	dr	date	linear	.XX±.01/0.X±0.3		COPY		title 9P + 24S VERTICAL SOLDER RECEPT
B					.XXX±.005/0.XX±0.13		projection		
				angles	.XXX±.0020/0.XXX±0.051				product family PwrBlade code 213
					$0 \pm 2^\circ$		INCH/MM		
		dr	LH	01/28/05	scale		1:1		product family PwrBlade code 213 sheet 4 of 4
		enrg	LH	01/28/05					
		chr	VICTOR LIN		01/28/05				size A 51940-117
		appd	JOSEPH HSIA		01/28/05				
sheet index	revision sheet								

1 | 2

Pro/E

3 |

cage code 22526

4