

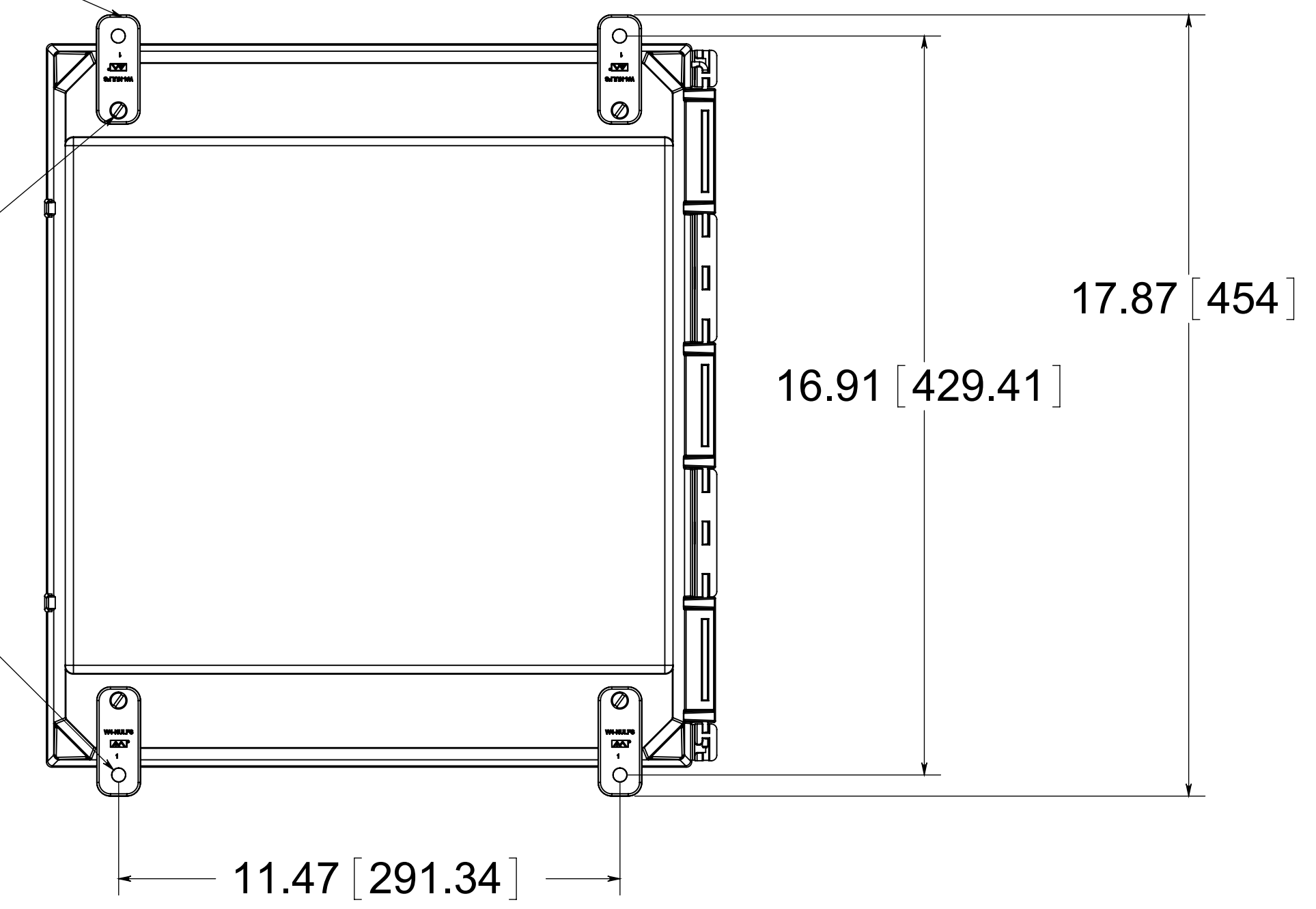
OPTIONAL BACK PANEL
 0.100 [2.54] TH'K- ALUMINUM
 0.075 [1.91] TH'K- WHITE STEEL & GALVANNEALED
 0.125 [3.18] TH'K- FIBERGLASS

(4) POLYCARBONATE FEET

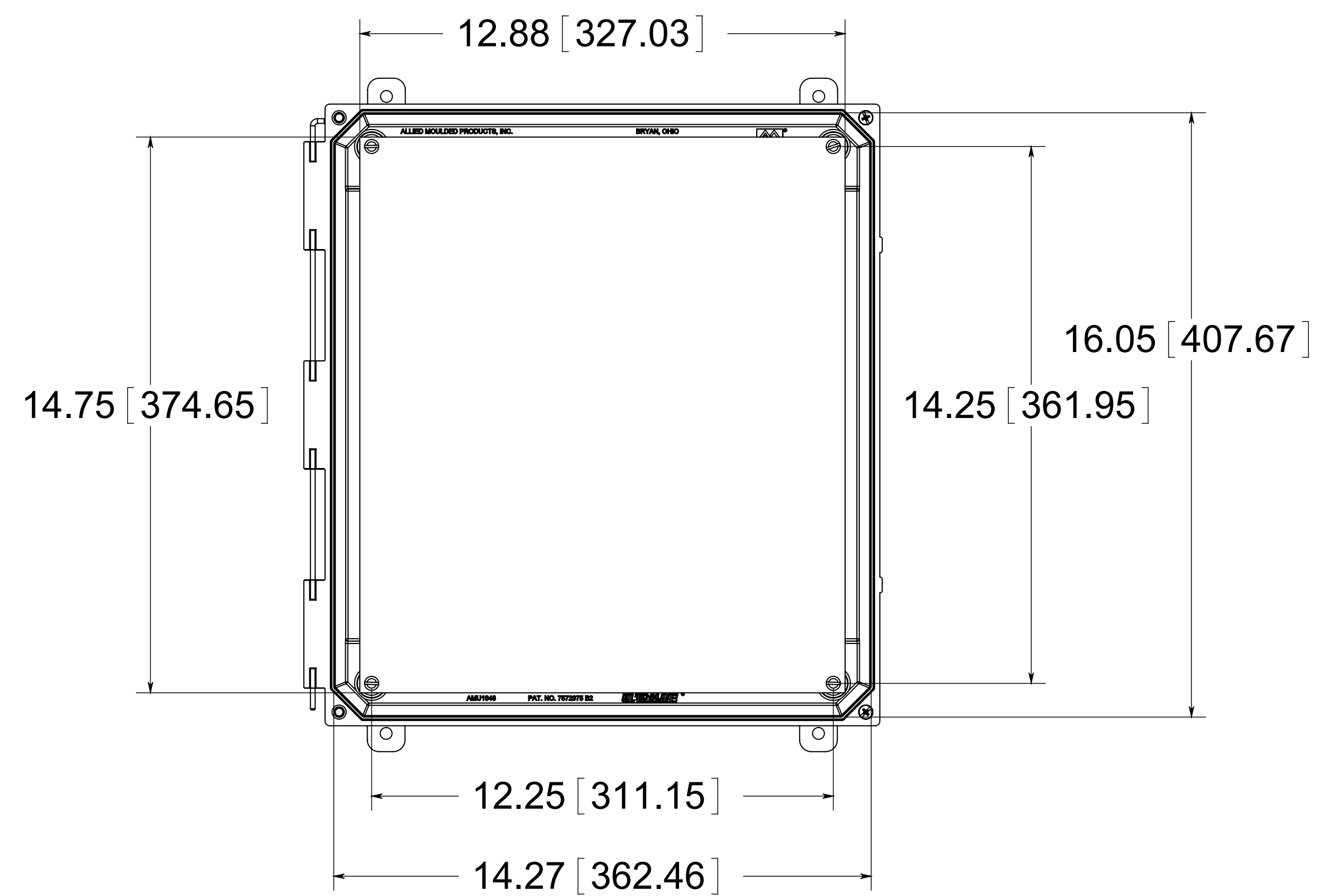
(4) EACH #10-32 BRASS INSERTS, AND STAINLESS STEEL FLANGE AND FEET SCREWS

(4) ϕ .31 [7.95]

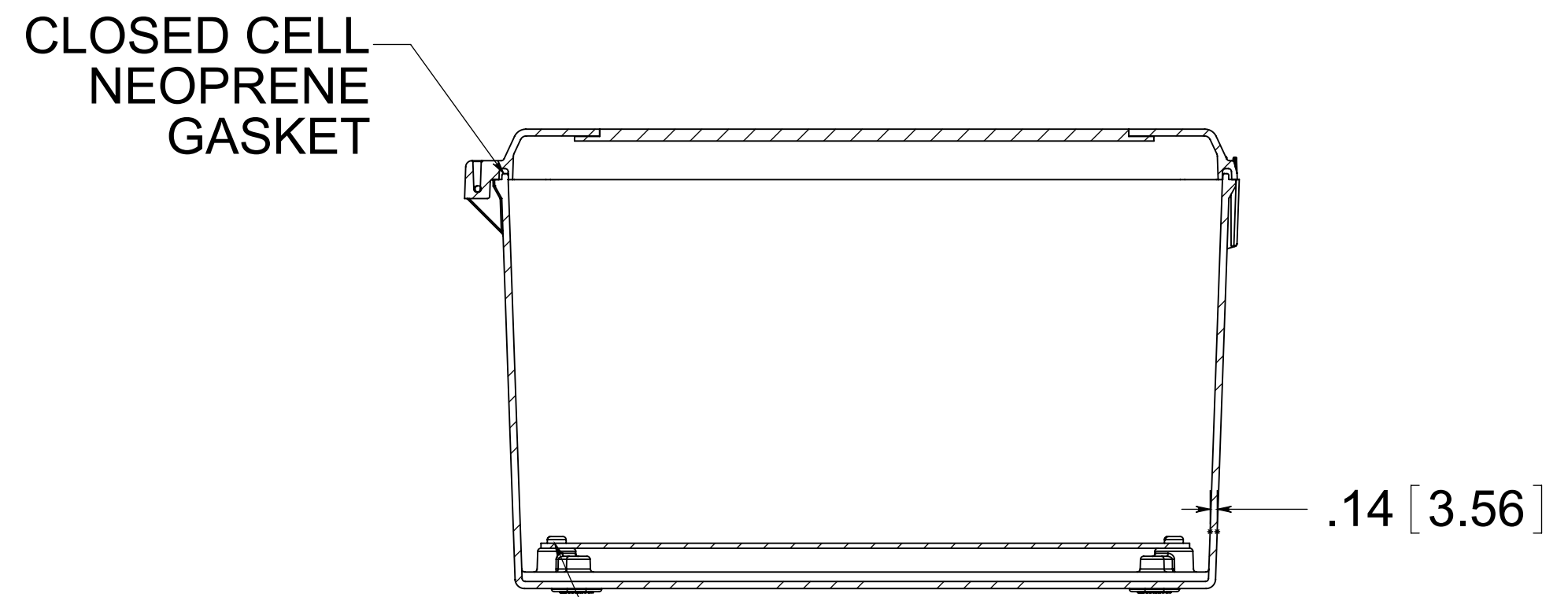
BACK VIEW



FRONT VIEW WITH COVER REMOVED AND BACK PANEL DISPLAYED



STAINLESS STEEL HINGE PIN
 (2) EACH #10-32 BRASS INSERTS AND STAINLESS STEEL CAPTIVE COVER SCREWS WITH RETAINING O-RING



(4) EACH #10-32 BRASS INSERTS AND PLATED CARBON STEEL SCREWS

CLOSED CELL NEOPRENE GASKET

SECTION B-B

MATERIAL:
 BOX- COMPRESSION MOLDED FIBERGLASS REINFORCED POLYESTER
 COVER- COMPRESSION MOLDED FIBERGLASS REINFORCED POLYESTER
 CLEAR COVER AND WINDOWS- POLYCARBONATE

PART No. PJU16148HW
 for more information visit www.hammfg.com
 Data subject to change without notice
 Drawing Not to Scale