



PRODUCT NUMBER
20020620-MXXXXXXLF

20020620-□ □ □ □ A 0 □ L F

PITCH
M: 7.62 mm

POLES
02: 2 POLES
03: 3 POLES
04: 4 POLES
16: 16 POLES

LF : DENOTED RoHS COMPATIBLE

1 : STANDARD PRODUCT
W/ BOX PACKING

HOUSING CODE

PROPERTY TABLE	
FCI SERIES NAME	07-762
PITCH (mm)	7.62
VOLTAGE RATING (VAC)	300
CURRENT RATING (A)	32
WITHSTANDING VOLTAGE (kV)	1.6
OPERATING TEMP. (°C)	-40~+115
SOLDERING TEMP. (°C)	250±10 (5 sec.)
POLES AVAILABLE	02~16
SAFETY CERTIFICATE	

CODE	COLOR	AVAILABILITY
1	GREEN(RAL 6018/T)	STANDARD
2	BLACK	ON REQUEST ONLY
3	GREY(RAL 7004/P)	ON REQUEST ONLY
4	BLUE(RAL 5015/A)	ON REQUEST ONLY

NOTES:

MATERIALS

- 1-1 HOUSING: THERMALPLASTIC RESIN, UL 94V-0 RATED.
- 1-2 TERMINAL: COPPER ALLOY, TIN PLATED.

- 2. PRODUCTION SPECIFICATION REFER TO FCI GS-12-625.
- 3. BOXED PACKAGING.
DETAILED PRODUCT PACKING SPECIFICATION REFER TO FCI GS-14-1394.
- 4. FCI, SAFETY CERTIFICATE LOGO AND SERIES NAME TO BE SHOWN ON PRODUCT SURFACE.

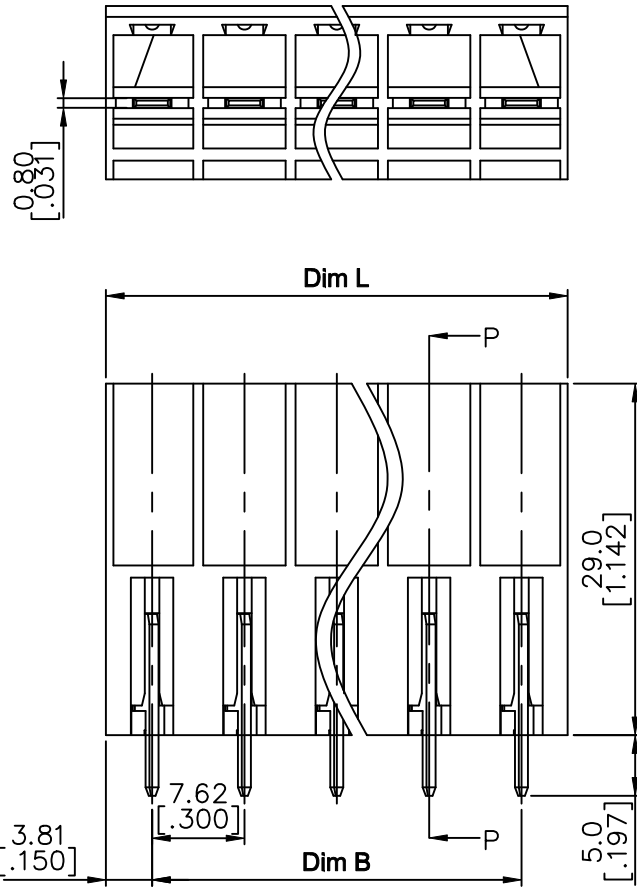
- 5. THE PRODUCTS WHERE THE PART NUMBER END IN "LF" MEET THE EUROPEAN UNION DIRECTIVE AND OTHER COUNTRY REGULATIONS AS DESCRIBED IN GS-22-008.

- 6. RECOMENDED SOLDERING PROCESS BY WAVE SOLDER.

mat'l. code				surface ASME Y14.5		tolerance ASME Y14.5		projection		product family TERMINAL BLOCK	
tolerances unless otherwise specified				X.±0.5[.020]		X.X±0.3[.012]		MM INCH		title TERMINAL BLOCK PLUGGABLE SOCKET, STRAIGHT	
angles				X°±1'		X.XX±0.1[.004]		scale		dwg no 20020620	
ltr				ecn no		dr		date		sheet 1 of 2 size A4	
A				0609-0203		BF		062509		FCI	
B				T09-1148		BF		111709		type CUSTOMER Drawing	
C				T10-0042		WL		030310			
D				T10-0159		WL		100410			
E				T10-0187		WL		121410			
F				T-004746		WL		072211			
G				T-005754		WL		090611			
sheet				revision		G		G			
index				sheet		1		2			

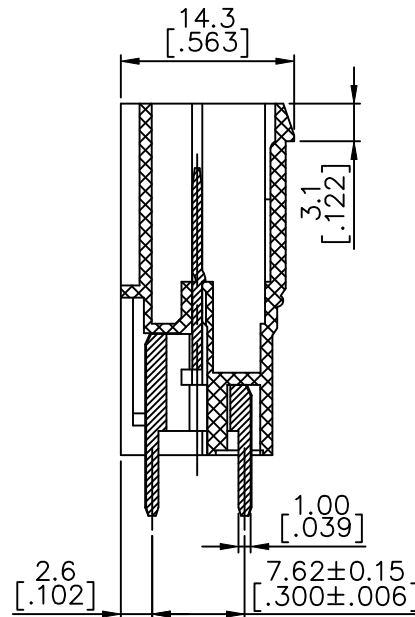


PRODUCT NUMBER	SERIES NAME	PITCH
20020620-MXXXXXXLF	07-762	7.62 mm

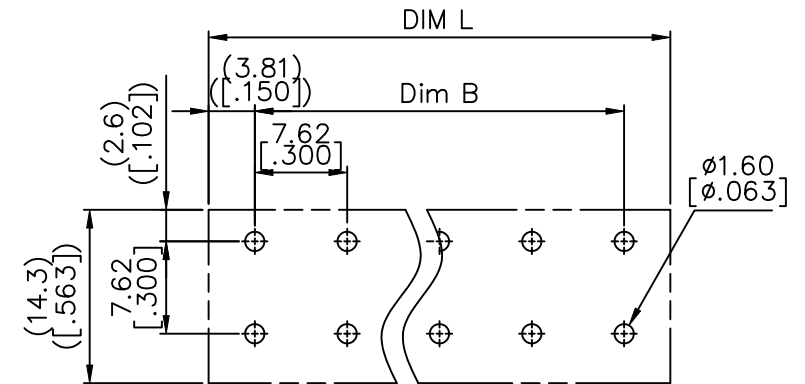


N = Number of poles
 Dim L = N x 7.62 [.300]
 Dim B = (N - 1) x 7.62 [.300]

Poles	Tol.	Dim L	Dim B
2-5p		±0.20 [.008]	
6-10p		±0.25 [.010]	
11-13p		±0.35 [.014]	
14-16p		±0.40 [.016]	



SECTION P-P



P.C.B LAYOUT

mat'l. code		surface ASME Y14.5	tolerance ASME Y14.5	projection MM INCH	product family TERMINAL BLOCK
ltr	ecn no	dr	date	title TERMINAL BLOCK PLUGABLE, SOCKET, POWER, VERTICAL	
tolerances unless otherwise specified				scale	dwg no 20020620
angles		line		sheet 2 of 2 size A4	
X° ± 1'		X.XX ± 0.1 [.004]		type CUSTOMER Drawing	
dr		062509		FCI	
enr		062509			
chr		062509			
appd		062509			
sheet index	revision sheet				